

PLEASE CHECK WWW.MOLEX.COM FOR LATEST PART INFORMATION

Part Number: [0522711469](#)
Status: **Active**
Overview:
Description: 1.00mm (.039") Pitch FFC/FPC Connector, Right Angle, SMT, ZIF, Bottom Contact Style, 14 Circuits, Lead-free, Gold Contact Plating, High Barrier Packaging

Agency Certification

CSA LR19980
 UL E29179

General

Product Family FFC/FPC Connectors
 Series 52271
 Overview ffc_fpc_smt
 Product Name N/A

Physical

Circuits (Loaded) 14
 Color - Resin Natural
 Contact Position Bottom
 Durability (mating cycles max) 30
 Entry Angle 90° Angle
 Flammability 94V-0
 Mated Height (in) 0.118 In
 Mated Height (mm) 3.00 mm
 Material - Metal Phosphor Bronze
 Material - Plating Mating Gold
 Material - Plating Termination Tin
 Material - Resin Nylon
 Number of Rows 1
 Orientation Right Angle
 PCB Locator No
 PCB Retention Yes
 Packaging Type Embossed Tape on Reel
 Pitch - Mating Interface (in) 0.039 In
 Pitch - Mating Interface (mm) 1.00 mm
 Polarized to PCB Yes
 Stackable No
 Temperature Range - Operating -20°C to +85°C
 Termination Interface: Style Surface Mount
 Wire/Cable Type FFC/FPC

Electrical

Current - Maximum per Contact 0.5A
 Voltage - Maximum 50V AC (RMS)/DC

Material Info

Reference - Drawing Numbers

Application Specification AS-52271-001
 Packaging Specification SPK-52271-001, SPK-52271-002
 Product Specification PS-52271-054, RPS-52271-076, RPS-52271-078, RPS-52271-079, RPS-52271-081, RPS-52271-082, RPS-52271-083, RPS-52271-084, RPS-52271-086, RPS-52271-088, RPS-52271-090
 Sales Drawing SD-52271-038, SD-52271-039

EU RoHS

ELV and RoHS Compliant
REACH SVHC Contains SVHC: No
Halogen-Free Status
Not Halogen-Free

China RoHS



Need more information on product environmental compliance?

Email productcompliance@molex.com
 For a multiple part number RoHS Certificate of Compliance, [click here](#)

Please visit the [Contact Us](#) section for any non-product compliance questions.

Search Parts in this Series

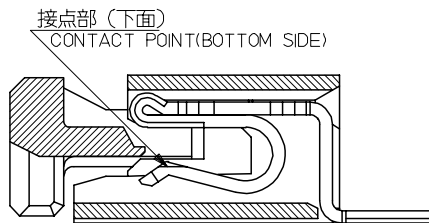
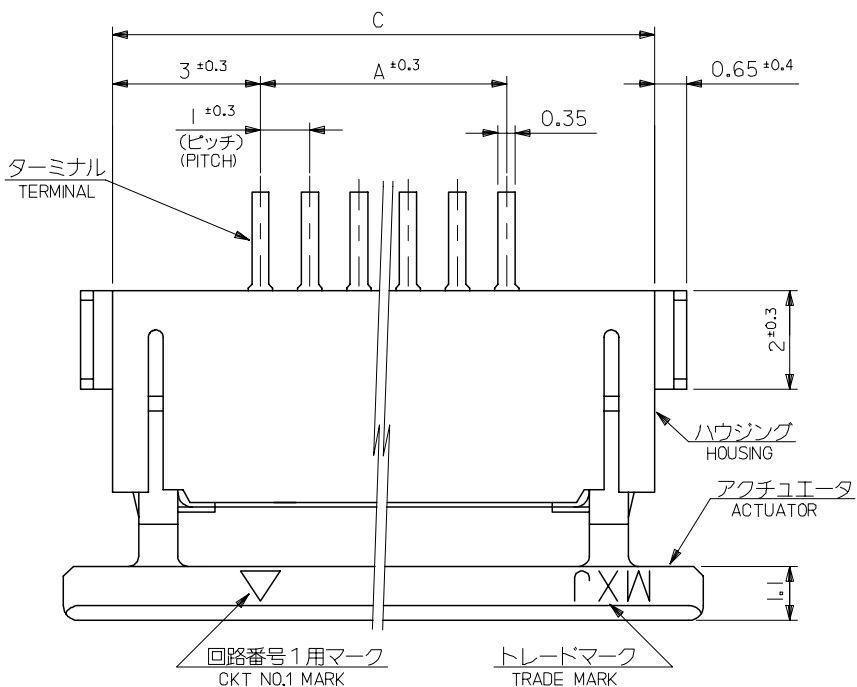
52271Series

This document was generated on 06/04/2010

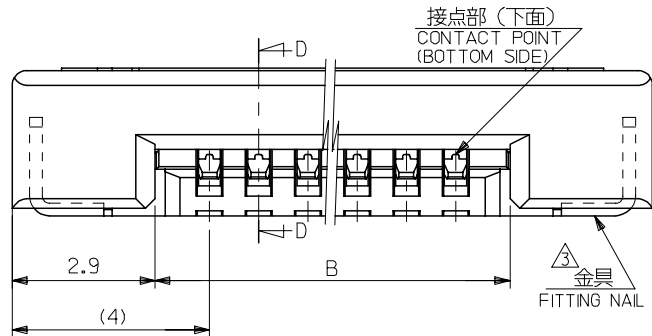
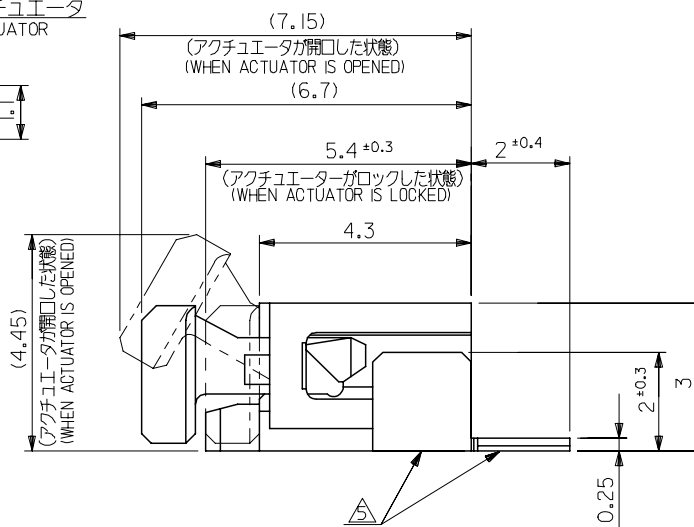
PLEASE CHECK WWW.MOLEX.COM FOR LATEST PART INFORMATION

10 9 8 7 6 5 4 3 2 1

F
E
D
C
B
A



SECT. D-D

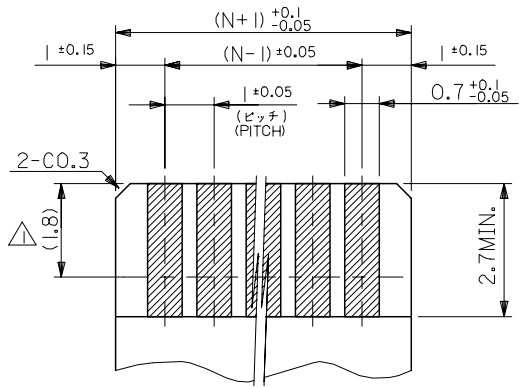


35	31.2	29	52271-3029	30
34	30.2	28	52271-2929	29
33	29.2	27	52271-2829	28
32	28.2	26	52271-2729	27
31	27.2	25	52271-2629	26
30	26.2	24	52271-2529	25
29	25.2	23	52271-2429	24
28	24.2	22	52271-2329	23
27	23.2	21	52271-2229	22
26	22.2	20	52271-2129	21
25	21.2	19	52271-2029	20
24	20.2	18	52271-1929	19
23	19.2	17	52271-1829	18
22	18.2	16	52271-1729	17
21	17.2	15	52271-1629	16
20	16.2	14	52271-1529	15
19	15.2	13	52271-1429	14
18	14.2	12	52271-1329	13
17	13.2	11	52271-1229	12
16	12.2	10	52271-1129	11
15	11.2	9	52271-1029	10
14	10.2	8	52271-0929	9
13	9.2	7	52271-0829	8
12	8.2	6	52271-0729	7
11	7.2	5	52271-0629	6
10	6.2	4	52271-0529	5
9	5.2	3	52271-0429	4
C	B	A	MATERIAL NO.	CIRCUITS

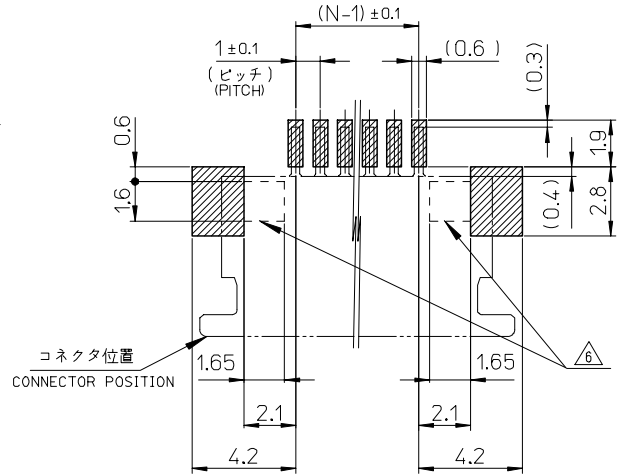
52271-**29 MODEL NO.

SCALE 10:1 DESIGN UNITS METRIC THIRD ANGLE PROJECTION

REVISED EC NO: J2006-1261 DRWN:UMEDA 2005/10/19 CHKDK:TOYODA 2005/10/19 APPR:NUKITA 2005/10/21	GENERAL TOLERANCES (UNLESS SPECIFIED)		DIMENSION STYLE MM ONLY		TITLE 1.0 FPC CONN ZIF SMT (BOTTOM CONTACT) -LEAD FREE-
	10 UNDER	± 0.2	DRAWN BY M.UMEDA	DATE 2005/03/08	
	10 OVER 30 UNDER	± 0.25	CHECKED BY K.TOYODA	DATE 2005/03/08	
	30 OVER	± 0.3	APPROVED BY N.UKITA	DATE 2005/03/08	
	ANGULAR	$\pm 3^\circ$	MATERIAL NO.	SEE CHART	DOCUMENT NO. SD-52271-038
DRAFT WHERE APPLICABLE MUST REMAIN WITHIN DIMENSIONS		SIZE A3		THIS DRAWING CONTAINS INFORMATION THAT IS PROPRIETARY TO MOLEX INCORPORATED AND SHOULD NOT BE USED WITHOUT WRITTEN PERMISSION	



(仕上り厚さ: 0.3±0.05)
(THICKNESS: 0.3±0.05)
適合FPC推奨寸法
APPLICABLE FPC
RECOMMENDED DIMENSION
(SCALE 10:1)



適合FPC推奨寸法
APPLICABLE FPC
RECOMMENDED DIMENSION
(SCALE 5:1)

注記 NOTES

- △1 接点部までの嵌合長さ。
LENGTH TO CONTACT POINT.
- 2. 使用材料 MATERIAL
 - ハウジング : 46 NYLON, UL94V-0
HOUSING
 - アクチュエータ : PPS, UL94V-0
ACTUATOR
 - ターミナル : リン青銅 (t=0.25)
TERMINAL PHOSPHOR BRONZE (t=0.25)
 - メッキ : 接点部: 金メッキ : 0.1 MICROMETER MIN.
CONTACT PORTION : GOLD PLATING : 0.1 MICROMETER MIN.
 - : 半田付部: 錫メッキ : 1.0 MICROMETER MIN.
 : SOLDERING PORTION : TIN PLATING : 1.0 MICROMETER MIN.
 - : 下地: ニッケルメッキ : 1.0 MICROMETER MIN.
 : UNDER PLATING : NICKEL PLATING : 1.0 MICROMETER MIN.
 - 金具 : 銅合金 (t=0.25)
FITTING NAIL : COPPER ALLOY (t=0.25)
 - : メッキ: 錫メッキ : 1.0 MICROMETER MIN.
 : PLATING : TIN PLATING : 1.0 MICROMETER MIN.
 - : 下地: ニッケルメッキ : 1.0 MICROMETER MIN.
 : UNDER PLATING : NICKEL PLATING : 1.0 MICROMETER MIN.
- △3 パターンはくり止め用金具
FITTING NAIL FOR PREVENTION OF PEELING
OF P.C.B. PATTERN.
- 4. エンボステープ梱包時は、アクチュエータがロックした状態とする。
IN THE PACKAGE, ACTUATOR OF PART NO.54550-***29 SHOULD BE LOCKED.
- △5 テール及び金具の平坦度は、0.15以下とする。
TAIL AND NAIL COPLANARITY TO BE 0.15 MAXIMUM.
- △6 パターン書き込み禁止エリア
NO FOOT PRINT AREA.

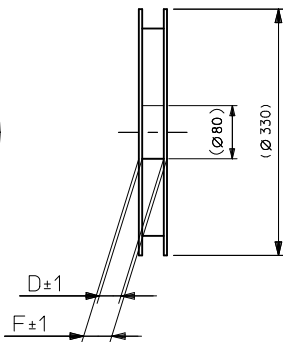
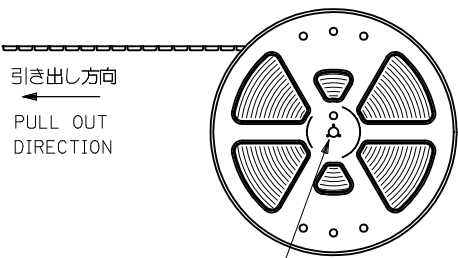
FPCについて:

打抜き方向は、導体側から補強板側を推奨致します。
補強フィルム材質は、ポリイミドを推奨致します。
接着剤は、熱硬化接着剤を推奨致します。

ABOUT FPC:

RECOMMENDED PUNCHER DIRECTION :
FROM CONDUCTOR SIDE TO STIFFENER BOARD SIDE
RECOMMENDED MATERIAL :
STIFFENER FILM : POLYIMIDE
BONDING AGENT : THERMOSETTING BONDING AGENT

REVISED EC NO: J2006-1261 DRW: NUKEDA CHK: KIKUYODA APP: NUKITA	DESCRIPTION REV	GENERAL TOLERANCES (UNLESS SPECIFIED)		DIMENSION STYLE MM ONLY		52271-**29		MODEL NO.		
		10 UNDER	±0.2	DRAWN BY M.UMEDA	DATE 2005/03/08	SCALE ---	DESIGN UNITS METRIC	THIRD ANGLE PROJECTION		
		10 OVER 30 UNDER	±0.25	CHECKED BY K.TOYODA	DATE 2005/03/08	TITLE 1.0 FPC CONN ZIF SMT (BOTTOM CONTACT) -LEAD FREE-				
		30 OVER	±0.3	APPROVED BY N.UKITA	DATE 2005/03/08	MOLEX INCORPORATED				
ANGULAR ±3 °		DRAFT WHERE APPLICABLE MUST REMAIN WITHIN DIMENSIONS		MATERIAL NO. SEE SHEET 1		DOCUMENT NO. SD-52271-038		SHEET NO. 2 OF 2		
△3 THIS DRAWING CONTAINS INFORMATION THAT IS PROPRIETARY TO MOLEX INCORPORATED AND SHOULD NOT BE USED WITHOUT WRITTEN PERMISSION										

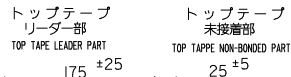


NOTES

1. 製品番号 52271-**29 の梱包状態はアクチュエータがロックした状態とする。
詳細寸法については 図面 SD-52271-038 を参照下さい。
IN THE PACKAGE, ACTUATOR OF PART NO. 52271-**29 SHOULD BE LOCKED
RE DETAILED DIMENSIONS, SEE SD-52271-038.

2. 梱包数量：1000個/リール
NUMBER OF CONNECTORS：1000 PCS/REEL

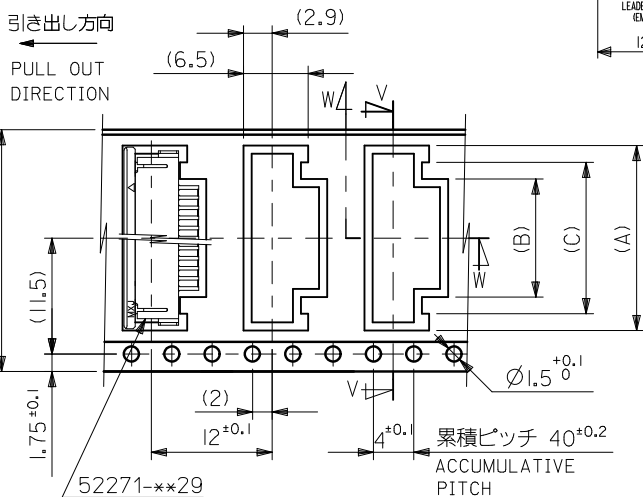
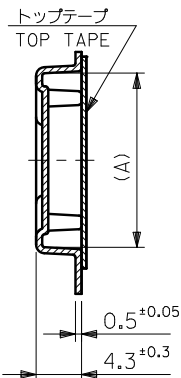
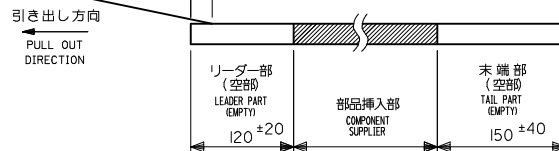
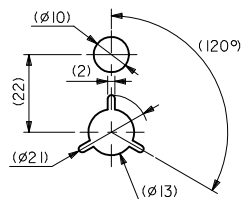
3. リードテープ長さ LEAD TAPE LENGTH



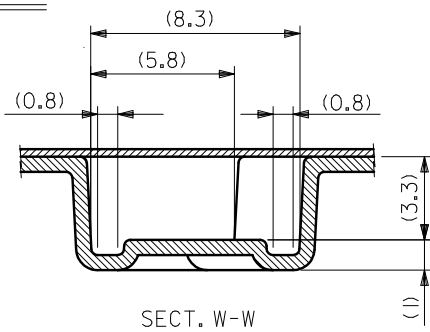
4. カバーテープの剥離強度については、IEC60286-3に準拠
COVER TAPE PEEL FORCE IS DEFINED BY IEC60286-3

5. 材料 (MATERIAL)
キャリアテープ (CARRIER TAPE): ポリプロピレン (POLYPROPYLENE)
トップテープ (TOP TAPE): PET, PE, PEF
リール (REEL): ポリスチレン (PS) <リサイクル材を含む>
POLYSTYRENE (PS) <RECYCLE MATERIAL CONTAINED>

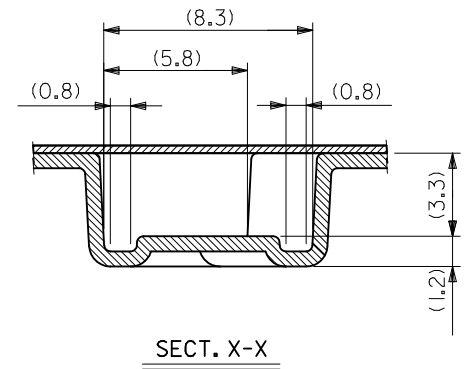
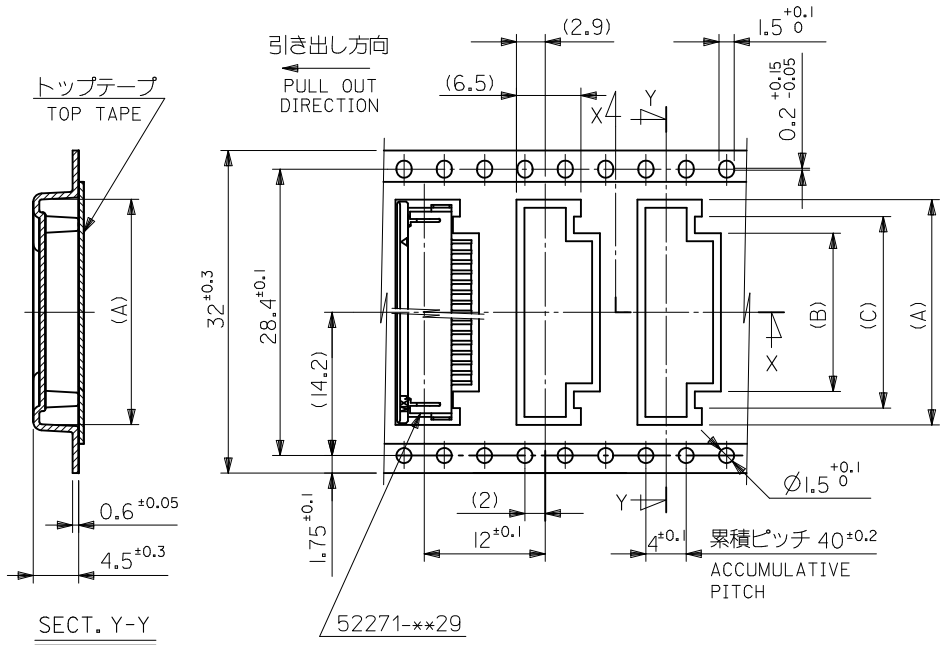
6. 本製品は乾燥剤入り、ハイバリア梱包仕様である。
THIS PRODUCT IS HIGH BARRIER PACKAGE WITH DESICCANT.



24	29.4	25.4	15	11.4	18.3	52271-1169	11		
			14	10.4	17.3	52271-1069	10		
			12	8.4	15.3	52271-0869	8		
			11	7.4	14.3	52271-0769	7		
			10	6.4	13.3	52271-0669	6		
			9	5.4	12.3	52271-0569	5		
			8	4.4	11.3	52271-0469	4		
			キャリアテープ幅 CARRIER TAPE WIDTH			F	D	(C)	(B)

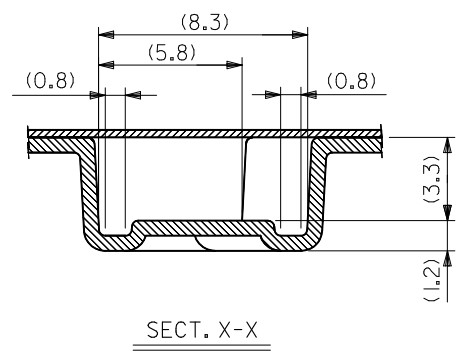
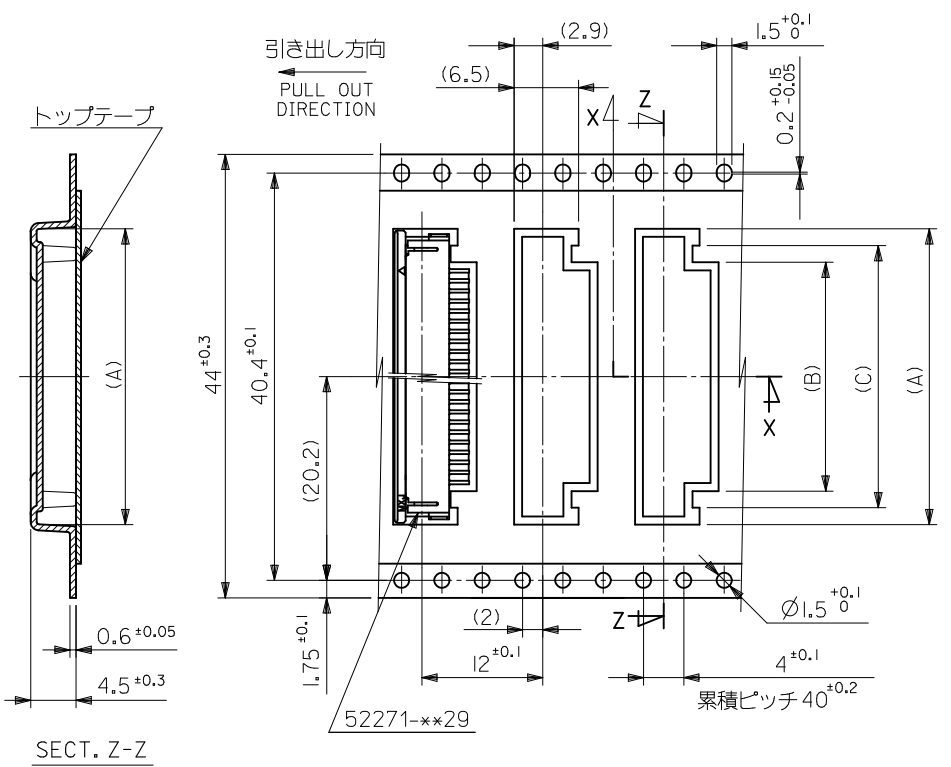


REVISED EC NO: J2010-2474 DRWN: YUHASEGAWA 2010/06/08 CHKD: K. TOYODA 2010/06/08 APPR: KMORI KAWA 2010/06/09	DESCRIPTION REV	GENERAL TOLERANCES (UNLESS SPECIFIED)		DIMENSION STYLE MM ONLY		SCALE ---		DESIGN UNITS METRIC		MODEL NO. 52271-**69	
		10 UNDER	±0.2	DRAWN BY M. UEDA	DATE 2005/03/08	TITLE EMBOSSED TAPE PACKAGE FOR 52271-**29 -LEAD FREE-					
		10 OVER 30 UNDER	±0.25	CHECKED BY K. TOYODA	DATE 2005/03/08	MOLEX INCORPORATED DOCUMENT NO. SD-52271-039 SHEET NO. 1 OF 4					
		30 OVER	±0.3	APPROVED BY N. UKITA	DATE 2005/03/08						
ANGULAR ±3 °		DRAFT WHERE APPLICABLE MUST REMAIN WITHIN DIMENSIONS		MATERIAL NO. SEE TABLE		THIS DRAWING CONTAINS INFORMATION THAT IS PROPRIETARY TO MOLEX INCORPORATED AND SHOULD NOT BE USED WITHOUT WRITTEN PERMISSION					



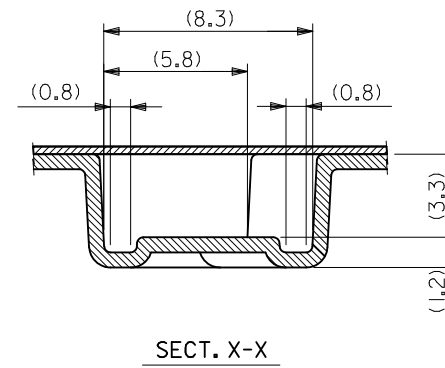
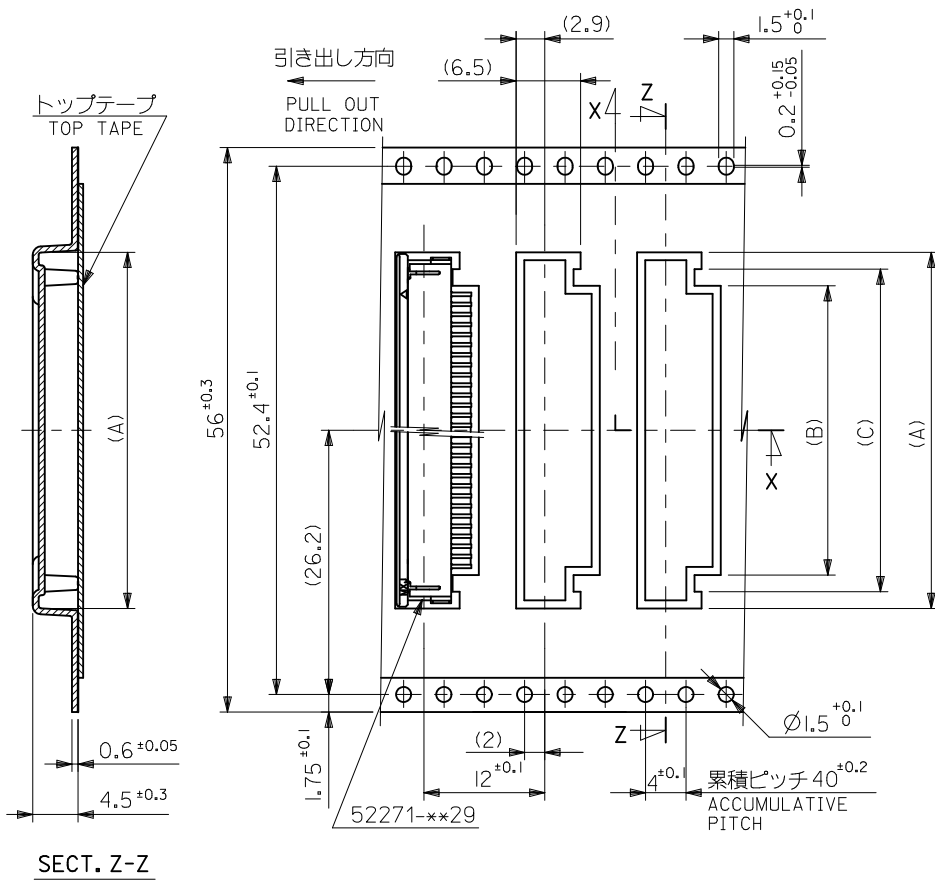
32	37.4	33.4	20	16.4	23.35	52271-1669	16		
			19	15.4	22.35	52271-1569	15		
			18	14.4	21.35	52271-1469	14		
			17	13.4	20.35	52271-1369	13		
			16	12.4	19.35	52271-1269	12		
キャリアテープ幅 CARRIER TAPE WIDTH			F	D	(C)	(B)	(A)	MATERIAL NO.	極数 CKT.

REVISED EC NO: J2010-2474 DRWN: YUHASEGAWA 2010/06/08 CHKD: K. TOYODA 2010/06/08 APPR: KMORIKAWA 2010/06/09	DESCRIPTION REV	GENERAL TOLERANCES (UNLESS SPECIFIED)		DIMENSION STYLE MM ONLY		SCALE ---	DESIGN UNITS METRIC	THIRD ANGLE PROJECTION	
		10 UNDER	±0.2	DRAWN BY M.UMEDA	DATE 2005/03/08	TITLE EMBOSSD TAPE PACKAGE FOR 52271-**-29 -LEAD FREE-			
		10 OVER 30 UNDER	±0.25	CHECKED BY K. TOYODA	DATE 2005/03/08	MOLEX INCORPORATED			
		30 OVER	±0.3	APPROVED BY N. UKITA	DATE 2005/03/08				
		ANGULAR ±3 °		DRAFT WHERE APPLICABLE MUST REMAIN WITHIN DIMENSIONS		MATERIAL NO. SEE TABLE	DOCUMENT NO. SD-52271-039	SHEET NO. 2 OF 4	
SIZE A3		THIS DRAWING CONTAINS INFORMATION THAT IS PROPRIETARY TO MOLEX INCORPORATED AND SHOULD NOT BE USED WITHOUT WRITTEN PERMISSION							



44	49.4	45.4	31	27.4	34.35	52271-2769	27		
			29	25.4	32.35	52271-2569	25		
			28	24.4	31.35	52271-2469	24		
			26	22.4	29.35	52271-2269	22		
			25	21.4	28.35	52271-2169	21		
			24	20.4	27.35	52271-2069	20		
			23	19.4	26.35	52271-1969	19		
			22	18.4	25.35	52271-1869	18		
			21	17.4	24.35	52271-1769	17		
キャリアテープ幅			F	D	(C)	(B)	(A)	MATERIAL NO.	極数

REVISED EC NO: J2010-2474 DRWN: YUHASEGAWA 2010/06/08 CHK'D: K. TOYODA 2010/06/08 APPR: KMORIKAWA 2010/06/09	GENERAL TOLERANCES (UNLESS SPECIFIED)		DIMENSION STYLE MM ONLY		SCALE ---	DESIGN UNITS METRIC	THIRD ANGLE PROJECTION	
	10 UNDER	±0.2	DRAWN BY M.UMEDA	DATE 2005/03/08	TITLE EMBOSSD TAPE PACKAGE FOR 52271-**-29 -LEAD FREE-			
	10 OVER 30 UNDER	±0.25	CHECKED BY K.TOYODA	DATE 2005/03/08	MOLEX INCORPORATED			
	30 OVER	±0.3	APPROVED BY N.UKITA	DATE 2005/03/08	DOCUMENT NO. SD-52271-039			
	ANGULAR ±3 °		MATERIAL NO. SEE TABLE		SHEET NO. 3 OF 4			
DRAFT WHERE APPLICABLE MUST REMAIN WITHIN DIMENSIONS		THIS DRAWING CONTAINS INFORMATION THAT IS PROPRIETARY TO MOLEX INCORPORATED AND SHOULD NOT BE USED WITHOUT WRITTEN PERMISSION						



SECT. Z-Z

SECT. X-X

56	61.4	57.4	34	30.4	37.35	52271-3069	30
			32	28.4	35.35	52271-2869	28
キャリアテープ幅 CARRIER TAPE WIDTH			F	D	(C)	(B)	(A)
						MATERIAL NO.	種数 CKT.

REVISED EC NO: J2010-2474 DRWN: YUHASEGAWA 2010/06/08 CHK'D: K. TOYODA 2010/06/08 APPR: KMORIKAWA 2010/06/09	GENERAL TOLERANCES (UNLESS SPECIFIED)		DIMENSION STYLE MM ONLY		SCALE ---	DESIGN UNITS METRIC	THIRD ANGLE PROJECTION
	10 UNDER	±0.2	DRAWN BY M. UMEDA	DATE 2005/03/08	TITLE EMBOSSD TAPE PACKAGE FOR 52271-**29 -LEAD FREE-		
	10 OVER 30 UNDER	±0.25	CHECKED BY K. TOYODA	DATE 2005/03/08	MOLEX INCORPORATED		
	30 OVER	±0.3	APPROVED BY N. UKITA	DATE 2005/03/08	DOCUMENT NO. SD-52271-039		
	ANGULAR ±3 °		MATERIAL NO. SEE TABLE		SHEET NO. 4 OF 4		
DRAFT WHERE APPLICABLE MUST REMAIN WITHIN DIMENSIONS		THIS DRAWING CONTAINS INFORMATION THAT IS PROPRIETARY TO MOLEX INCORPORATED AND SHOULD NOT BE USED WITHOUT WRITTEN PERMISSION					