

PLEASE CHECK WWW.MOLEX.COM FOR LATEST PART INFORMATION

Part Number: [0945509603](#)
Status: **Active**
Overview: [rast 5 connector system](#)
Description: 5.00mm (.197") Pitch, Rast 5, PA Polyamide (Nylon) 6/6, UL 94V-2, 3 Circuits, Natural

Documents:

[3D Model](#) [RoHS Certificate of Compliance \(PDF\)](#)
[Drawing \(PDF\)](#)

Agency Certification

CSA LR19980
 UL E29179

General

Product Family Crimp Housings
 Series [94550](#)
 Overview [rast 5 connector system](#)
 Product Name RAST 5

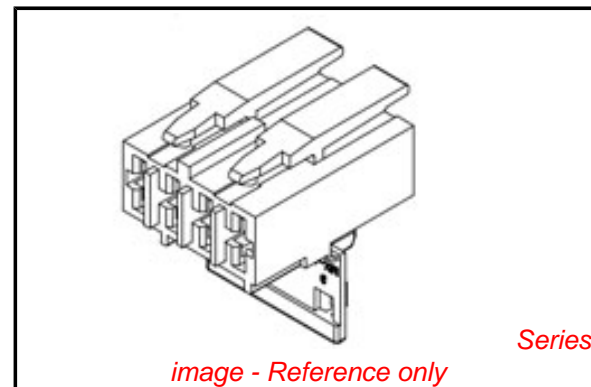
Physical

Circuits (maximum) 3
 Color - Resin Natural
 Flammability 94V-0
 Gender Female
 Glow-Wire Compliant No
 Lock to Mating Part Yes
 Material - Resin Nylon
 Number of Rows 1
 Packaging Type Bag
 Panel Mount No
 Pitch - Mating Interface (in) 0.197 In
 Pitch - Mating Interface (mm) 5.00 mm
 Pitch - Term. Interface (in) 0.197 In
 Pitch - Term. Interface (mm) 5.00 mm
 Polarized to Mating Part Yes
 Ports 1
 Stackable No
 Temperature Range - Operating -40°C to +85°C

Material Info

Reference - Drawing Numbers

Sales Drawing SD-94550-038



EU RoHS

**ELV and RoHS
 Compliant**
**REACH SVHC
 Not Reviewed**
**Halogen-Free
 Status
 Not Reviewed**

China RoHS



**Need more information on product
 environmental compliance?**

Email productcompliance@molex.com
 For a multiple part number RoHS Certificate of
 Compliance, [click here](#)

Please visit the [Contact Us](#) section for any
 non-product compliance questions.

Search Parts in this Series

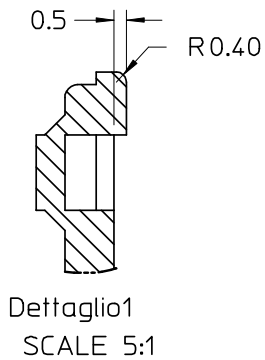
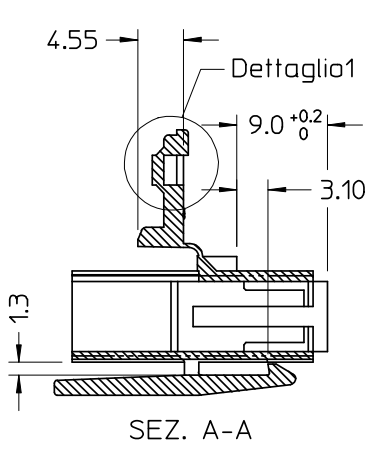
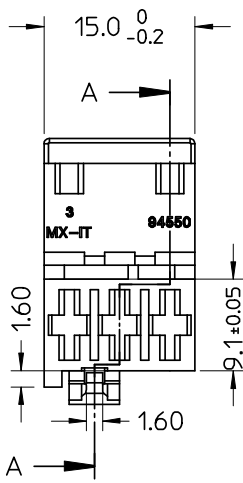
[94550Series](#)

Mates With

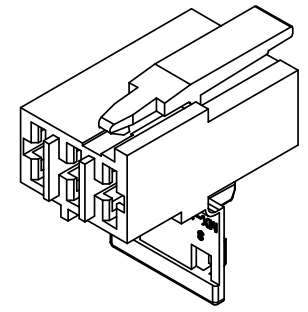
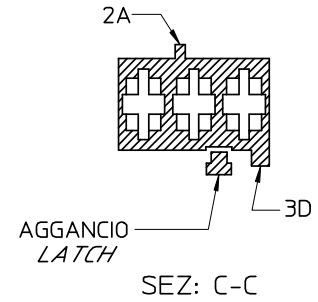
Rast 5 Headers, [90858](#) Vertical Header,
[90879](#) Right Angle Header

Use With

[94518](#) Crimp Terminal, [94549](#) Crimp
 Terminal



CONFIGURAZIONE POLARIZZAZIONI
POLARIZATION CONFIGURATION



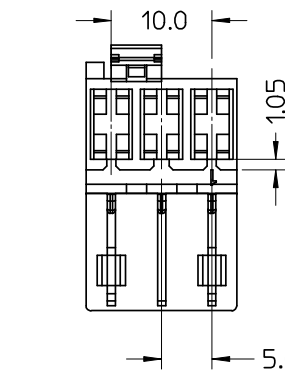
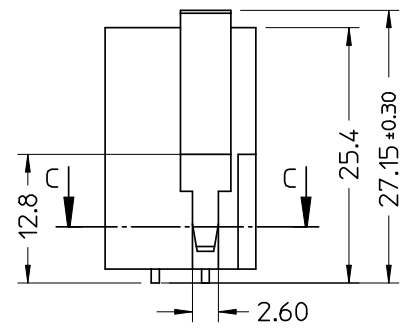
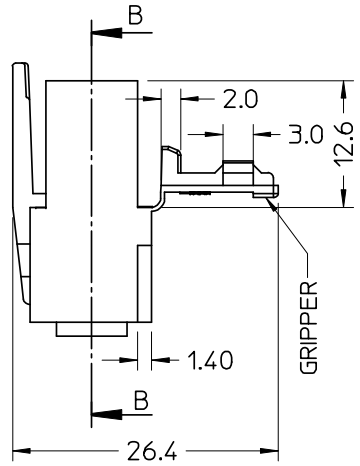
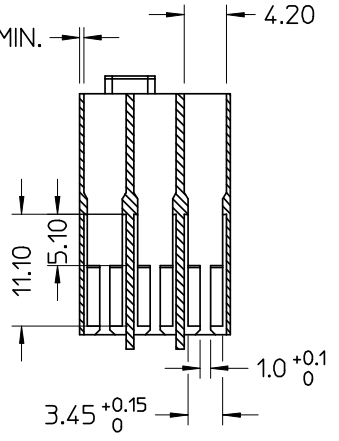
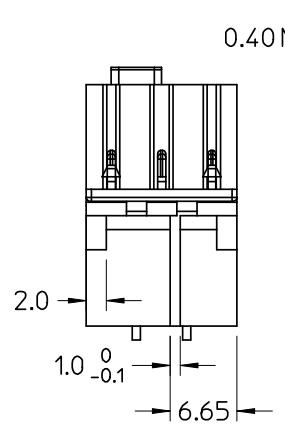
NOTE:
 - USATO CON TERMINALE 94518-0XXX E 94549-0XXX
 - SPECIFICA DI RIFERIMENTO PER IL CONNETTORE PS-94550-001
 - PER CARATTERISTICHE DI CRIMPATURA RIF. SD-94518-005 E SD-94549-001
 - FORZA DI DISACCOIPIAMENTO CONNETTORE (TRAZIONANDO DAI CAVI SENZA AZIONARE L'AGGANCIO): 40 N MIN.
 - SPESSORE MINIMO PARETI CONNETTORE 0.40 mm.

NOTE:
 - USED WITH TERMINALS 94518-0XXX AND 94549-0XXX
 - REFER TO PS-94550-001 FOR CONNECTOR SPECIFICATION
 - REFER TO SD-94518-005 AND SD-94549-001 FOR CRIMPING CHARACTERISTICS
 - CONNECTOR DISENGAGEMENT FORCE (PULLING BY THE WIRES, WITHOUT ACTUATING THE LATCH): 40 N MIN.
 - MINIMUM CONNECTOR WALL THICKNESS 0.40 mm.

MATERIALE: NYLON 6.6 V0 colore naturale
 MATERIAL: NYLON 6.6 V0 natural

CONFEZIONE: Box da 2200 Pz.
 PACKAGING: 2200 pcs in carton box

AGENCY
 RECOGNIZATIONS
 CSA (file LR19980)
 UL (file E-29179)



SPQ =2200

Std. Descr: "HSG W/SEC LOCK AND EXT LATCH 3 CKT _____ COLOR"

EC NO: Z2008-0091 DRWN: FGOTTARD 2007/12/17 CHKD: LSANTESSO 2007/12/17 APPR: GZUIN 2008/01/24	QUALITY SYMBOLS	GENERAL TOLERANCES (UNLESS SPECIFIED)	SCALE 2:1	DESIGN UNITS METRIC	FIRST ANGLE PROJECTION	REVISE ON CAD ONLY
	▲ = 0 ▽ = 0	mm	INCH	DIMENSION STYLE MM ONLY		TITLE HSG 3 CKT WITH SEC. LOCK AND EXTERNAL LATCH
		4 PLACES ± --- ± ---	3 PLACES ± --- ± ---	DRAWN BY FGOTTARD	DATE 2007/12/07	
		2 PLACES ± 0.10 ± ---	1 PLACE ± 0.2 ± ---	CHECKED BY LSANTESSO	DATE 2007/12/07	
A	REVISIONS	ANGULAR ± 2°	DRAFT WHERE APPLICABLE MUST REMAIN WITHIN DIMENSIONS		MOLEX INCORPORATED MATERIAL NO. 94550-9603 DOCUMENT NO. SD-94550-038 SHEET NO. 1 OF 1	