



P/N: 12ST0022P DATA SHEET

Feature

- Half port and single port designs for maximum layout flexibility
- Operating Temperature range: 0°C to +70°C
- Storage temperature range: -25°C to +125°C.



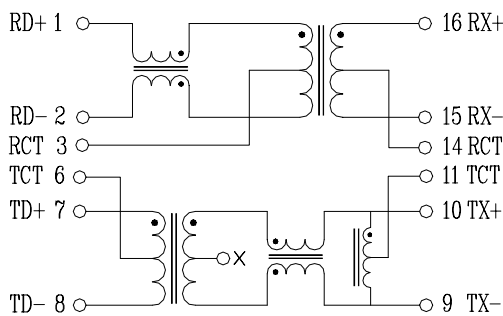
Electrical Specifications @ 25°C

Part Number	Turns Ratio (±5%)		OCL (uH Min) @ 100KHz/0.2Vrms	HI-POT (Vrms)	Insertion Loss (dB Max) 0.3-100 MHz
	TX	RX			
12ST0022P	1CT:1	1CT:1CT	350	1500	-2.0

Continue

Part Number	Return Loss (dB Min)			Cross talk (dB Min)			DCMR (dB Min)			
	30MHz	60MHz	80MHz	30MHz	60MHz	100MHz	30MHz	50MHz	100MHz	150MHz
12ST0022P	-18	-14	-12	-50	-45	-40	-40	-35	-30	-20

Schematic



Mechanical

