



BREEZE INDUSTRIAL PRODUCTS CORPORATION



MILITARY / AEROSPACE / CUSTOM OEM DESIGNS



- Unique shapes & flanges
- Special latches & bolts
- Special material
- Single segment or multiple inserts
- Cut clamps
- [Quick attach clamps](#)
- Double take-up clamps

Breeze also manufactures a line of Military Specification Clamps that conform to the requirements of "MS35842" as well as the more critical aeronautical specs. "AN737TW" and "NAS1922." Also available -- NAS1924 Clamps above size -48.

STOCK NUMBERS	EFFECTIVE DIAMETER RANGE				STOCK NUMBERS	EFFECTIVE DIAMETER RANGE			
	Min.		Max.			Min.		Max.	
	Inch	mm	Inch	mm		Inch	mm	Inch	mm
AN737TW-22	7/16	11	11/16	17	MS35842-13	1-13/16	46	2-3/4	70
AN737TW-24	1/2	13	3/4	19	MS35842-14	2-9/16	65	3-1/2	89
AN737TW-26	9/16	14	13/16	21	MS35842-15	3-5/16	84	4-1/4	108
AN737TW-30	11/16	17	15/16	23.8	MS35842-16	4-1/8	105	7	178
AN737TW-34	13/16	21	1-1/16	27	NAS1922-0050	.43	11	.63	16
AN737TW-38	15/16	23.8	1-3/16	30	NAS1922-0075	.55	14	.87	22
AN737TW-44	61/64	24.2	1-3/8	35	NAS1922-0100	.71	18	1.10	28
AN737TW-46	1	25	1-7/16	37	NAS1922-0125	.94	24	1.42	36
AN737TW-48	1-3/64	27	1-1/2	38	NAS1922-0150	.98	25	1.77	45
AN737TW-44-48	61/64	24.2	1-1/2	38	NAS1922-0175	1.26	32	2.05	52
AN737TW-56	1-21/64	34	3-3/4	44	NAS1922-0200	1.57	40	2.36	60
AN737TW-58	1-3/8	35	1-13/16	46	NAS1922-0225	1.85	47	2.64	67
AN737TW-66	1-5/8	41	2-1/16	52	NAS1922-0275	2.44	62	3.23	82
AN737TW-56-66	1-21/64	34	2-1/16	52	NAS1922-0350	3.03	77	3.82	97
AN737TW-74	1-7/8	48	2-5/16	59	NAS1922-0400	3.62	92	4.41	112
AN737TW-82	2-1/8	54	2-9/16	65	NAS1922-0450	4.21	107	5.00	127
AN737TW-91	2-13/32	61	2-27/32	72	NAS1922-0525	4.80	122	5.59	142
AN737TW-74-91	1-7/8	48	2-27/32	72	NAS1922-0575	5.39	137	6.18	157
AN737TW-98	2-5/8	67	3-1/16	73	NAS1922-0625	5.98	152	6.77	172
AN737TW-107	2-29/32	71	3-11/32	85	NAS1922-0700	6.57	167	7.36	187
AN737TW-114	3-1/8	79	3-9/16	90	NAS1922-0750	7.17	182	7.95	202
AN737TW-98-114	2-5/8	67	3-9/16	90	NAS1922-0825	7.76	197	8.54	217
MS35842-10	7/16	11	25/32	20	NAS1922-0875	8.35	212	9.13	232
MS35842-11	11/16	17	1-1/4	32	NAS1922-0925	8.94	227	9.72	247
MS35842-12	1-1/16	27	2	51	NAS1922-1000	9.53	242	10.31	262

NAS1922-XXXX-1 = Round Head Slot Screw

NAS1922-XXXX-3 = Hex Head Screw

NAS1922-XXXX-3H = Hex Head w/ Lockwire Hole

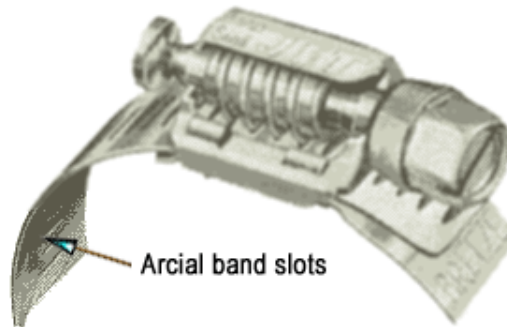
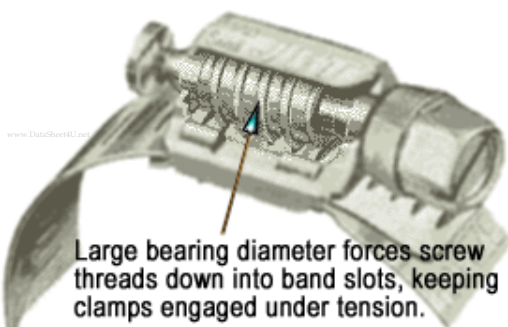
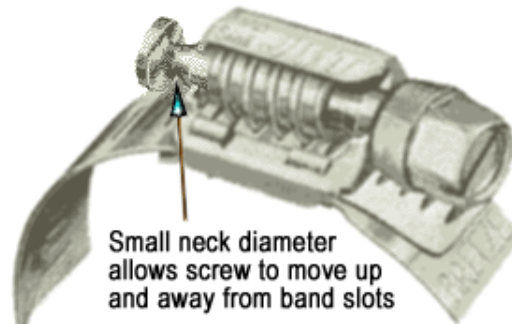
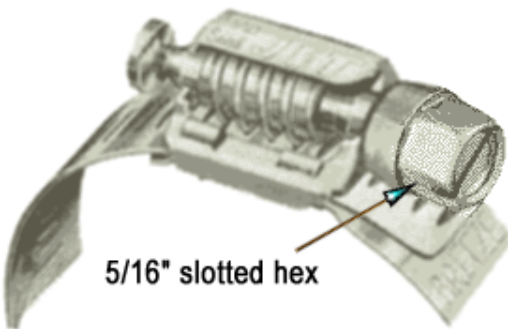
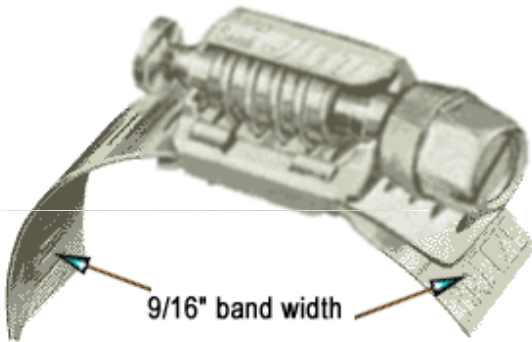
NAS1922-XXXX-1H = Hex Head w/ Lockwire Hole

BREEZE INDUSTRIAL PRODUCTS CORPORATION

QUICK CONNECT AERO-SEAL JET CLAMP

FEATURES:

- 5/16" (8 mm) slotted hex
- Clinched saddle and housing
- Modified buttressed screw threads
- 9/16" (14 mm) band width
- Arcial band slots
- Large bearing diameter forces screw threads down into band slots, keeping clamps engaged under tension.
- Small neck diameter allows screws to move up and away from band slots.



600 "H" Series -- All 300 series stainless steel.

-- Permits fast & easy installation but can never snap open once installed.

To attach, push housing to desired position on slotted band, snug around object and threads of the screw will drop in the band slots. Tighten securely.

Available in sizes 10 through 188.