

# IEC Inlet Filters

A general purpose inlet filter giving good performance for both common mode and differential mode interference.

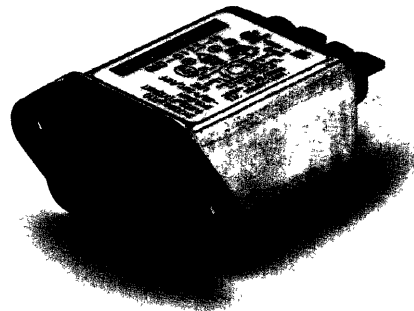
Meets overvoltage category II of IEC 664 and complies with IEC 950.

Typical applications are personal computers and computer peripherals, digital equipment, measuring instruments, monitors and display units, vending machines, games machines, printers and copiers.

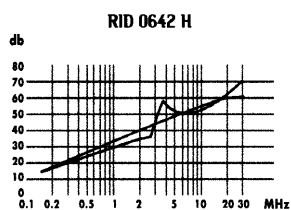
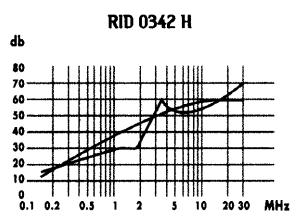
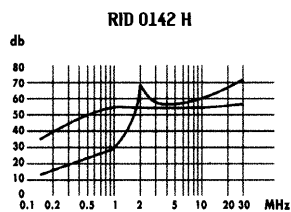
Approvals:



Rated Voltage: 250VAC  
 Frequency: 50/60Hz  
 Temperature Range: -25°C - + 85°C

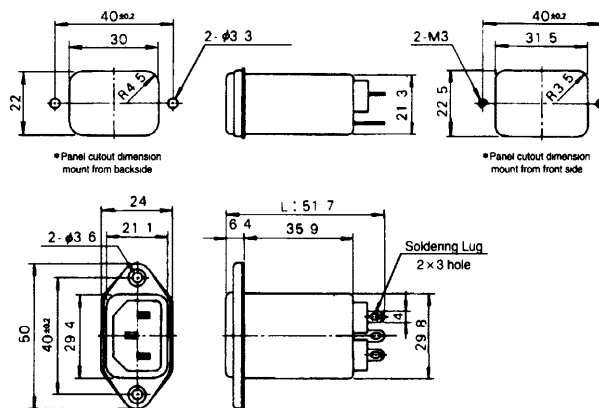


## Insertion Loss Curves

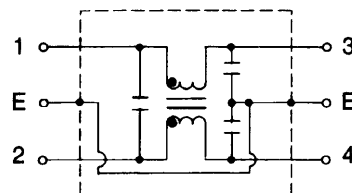


■ - Common Mode  
 ■ - Differential Mode

## Dimensions



## Electrical Schematic



## Technical Data

Type	Current @ 40°C	Max leakage current @ 250V AC 50HZ	Terminations
RID 0142 H	1A	0.35mA	Faston Tags
RID 0342 H	3A	0.35mA	Faston Tags
RID 0642 H	6A	0.35mA	Faston Tags