

**PLEASE CHECK WWW.MOLEX.COM FOR LATEST PART INFORMATION**

**Part Number:** [0495972007](#)  
**Status:** **Active**  
**Description:** 1.25mm (.049") FPC/FFC Backflip Housing, 20 Circuits, Black

**Documents:**

[3D Model](#) [Product Specification PS-49597-001 \(PDF\)](#)  
[Drawing \(PDF\)](#) [RoHS Certificate of Compliance \(PDF\)](#)

**Agency Certification**

UL E29179

**General**

Product Family FFC/FPC Connectors  
 Series [49597](#)  
 Product Name BackFlip™

**Physical**

Circuits (Loaded) 20  
 Circuits (maximum) 20  
 Color - Resin Black  
 Contact Position Bottom  
 Durability (mating cycles max) 250  
 Entry Angle Side Entry  
 Flammability 94V-0  
 Material - Metal Copper Nickel  
 Material - Plating Mating Tin  
 Material - Plating Termination Copper  
 Material - Resin Nylon  
 Number of Rows 1  
 Orientation Right Angle  
 PCB Locator No  
 PCB Retention None  
 Packaging Type Embossed Tape on Reel  
 Pitch - Mating Interface (in) 0.049 In  
 Pitch - Mating Interface (mm) 1.25 mm  
 Polarized to PCB No  
 Stackable No  
 Surface Mount Compatible (SMC) Yes  
 Temperature Range - Operating N/A  
 Termination Interface: Style IDT or Pierce  
 Wire/Cable Type FFC/FPC

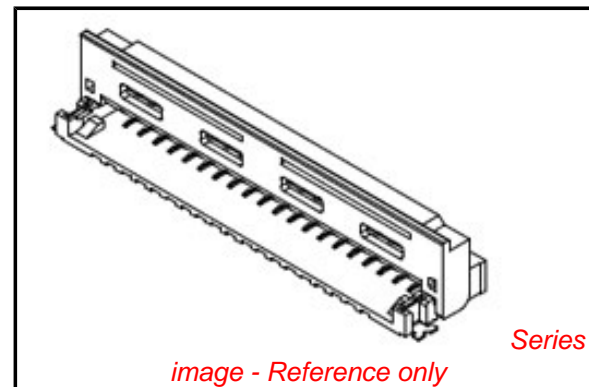
**Electrical**

Current - Maximum per Contact 1A  
 Voltage - Maximum 300V

**Material Info**

**Reference - Drawing Numbers**

Product Specification PS-49597-001  
 Sales Drawing SD-49597-001



**EU RoHS**

**ELV and RoHS  
Compliant**

**REACH SVHC**

Not Reviewed

**Halogen-Free**

**Status**

**Not Halogen-Free**

**China RoHS**



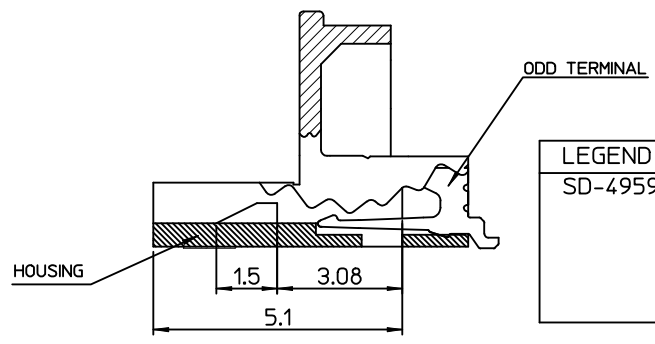
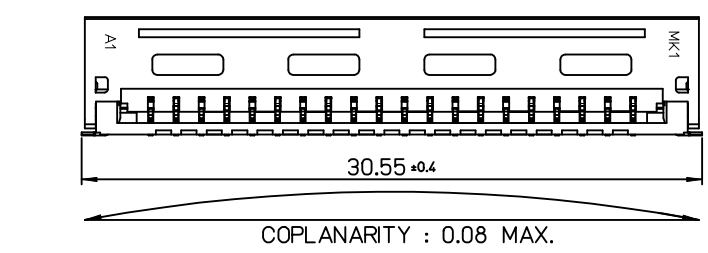
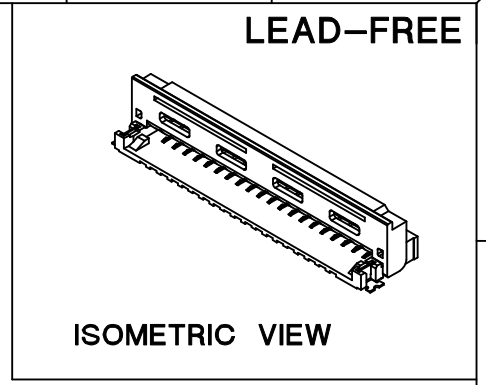
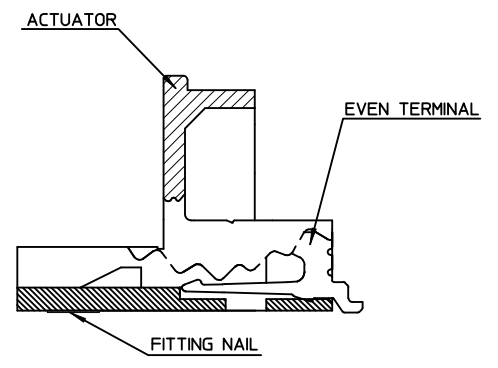
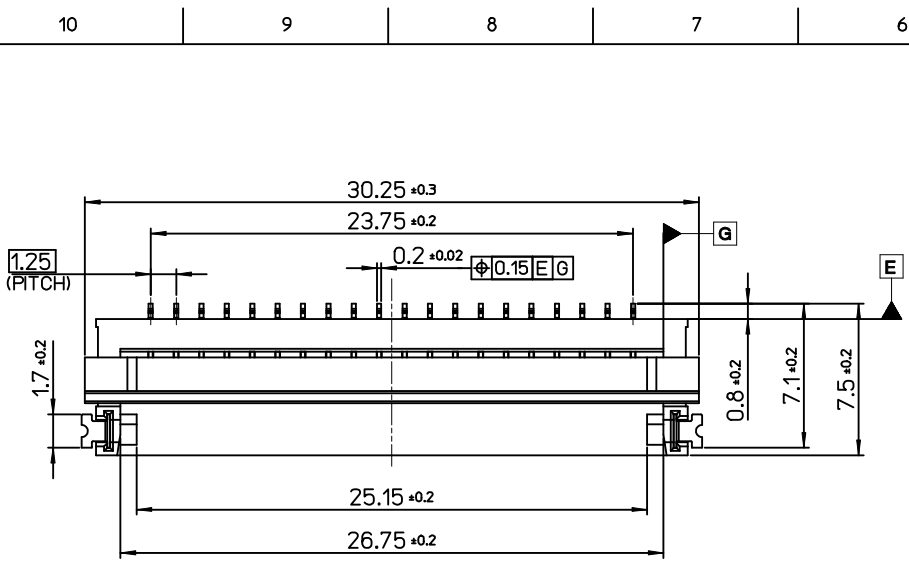
**Need more information on product  
environmental compliance?**

Email [productcompliance@molex.com](mailto:productcompliance@molex.com)  
 For a multiple part number RoHS Certificate of  
 Compliance, [click here](#)

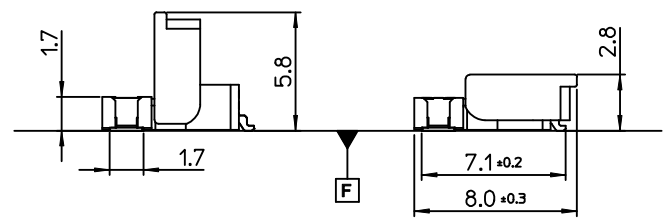
Please visit the [Contact Us](#) section for any  
 non-product compliance questions.

**Search Parts in this Series**

[49597Series](#)



LEGEND	
SD-49597-20*7	COLOR
0	NATURAL
1	BLACK
3	NATURAL, HALOGEN FREE
4	BLACK, HALOGEN FREE



- NOTES**
- MATERIAL**
    - HOUSING : PA46 ,GLASS FILLED. UL94V-0, COLOR: BEIGE.  
LCP, GLASS FILLED. UL94V-0, COLOR: NATURAL
    - ACTUATOR : LCP, GLASS FILLED. UL94V-0, COLOR: NATURAL, BLACK.
    - TERMINAL : COPPER ALLOY.
    - FITTING NAIL : COPPER ALLOY.
  - FINISHES**
    - TERMINAL : Tin[Sn] OVER NICKEL[Ni] PLATING.
    - FITTING NAIL : TIN[Sn] OVER NICKEL[Ni] PLATING.
  - PRODUCT SPECIFICATION** : PS-49597-001
  - PACKING SPECIFICATION** : PK-49597-001
  - ACTUATOR IS OPEN IN THE EMBOSSED PACKING**

REVISED EC NO: KOR2010-0012 DRWN: JHJJEONG 2009/07/24 CHKD: YS00KIM 2009/07/24 APPR: YUNS IKKIM 2009/07/24	DESCRIPTION REV	QUALITY SYMBOLS	GENERAL TOLERANCES (UNLESS SPECIFIED)		DIMENSION STYLE MM ONLY		SCALE 4:1	DESIGN UNITS METRIC	THIRD ANGLE PROJECTION		
		▽=0	mm	INCH	DRAWN BY JHLEE	DATE 2007/03/09	TITLE	1.25 FPC/FFC B/F CONN HOUSING ASS'Y 20P (BOTTOM CONTACT)			
		▽=0	4 PLACES ± ---	± ---	CHECKED BY KSKIM	DATE 2007/03/09					
			3 PLACES ± ---	± ---	APPROVED BY YS00KIM	DATE 2007/03/09	MATERIAL NO.	DOCUMENT NO.	SHEET NO.		

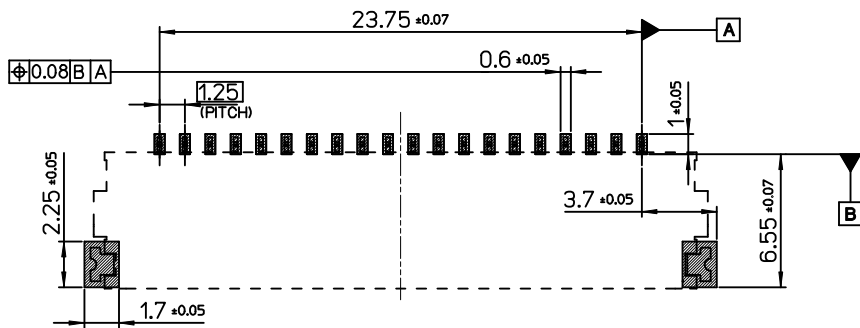
DRAFT WHERE APPLICABLE  
MUST REMAIN  
WITHIN DIMENSIONS

SEE TABLE

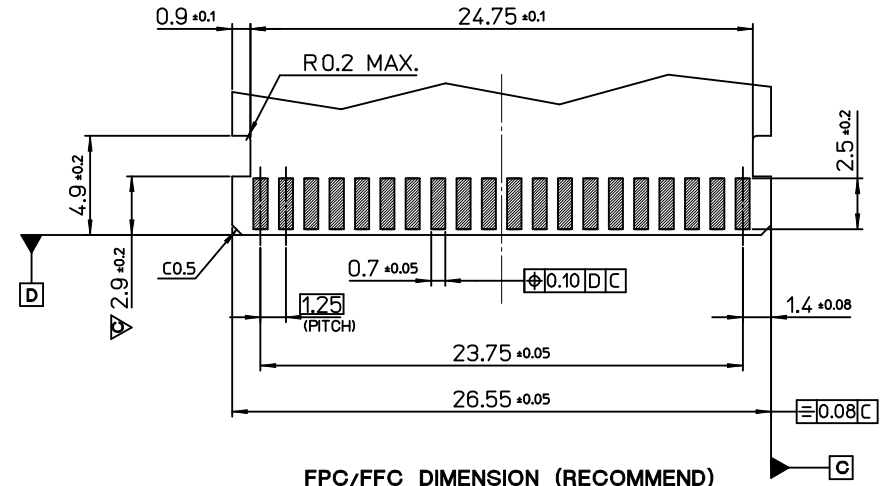
SIZE A3

THIS DRAWING CONTAINS INFORMATION THAT IS PROPRIETARY TO MOLEX INCORPORATED AND SHOULD NOT BE USED WITHOUT WRITTEN PERMISSION

LEAD-FREE



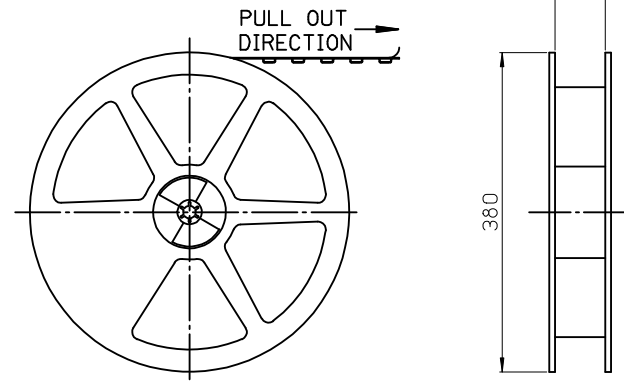
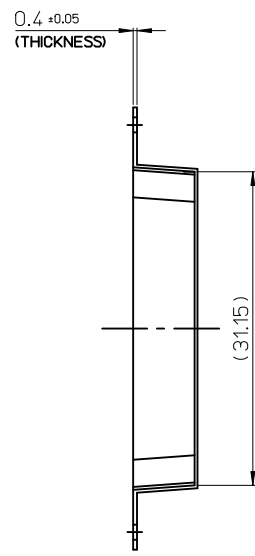
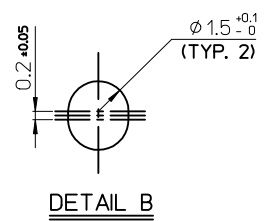
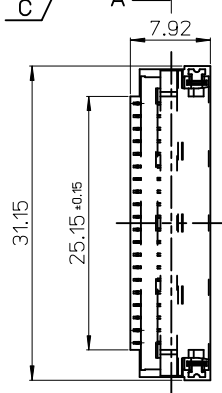
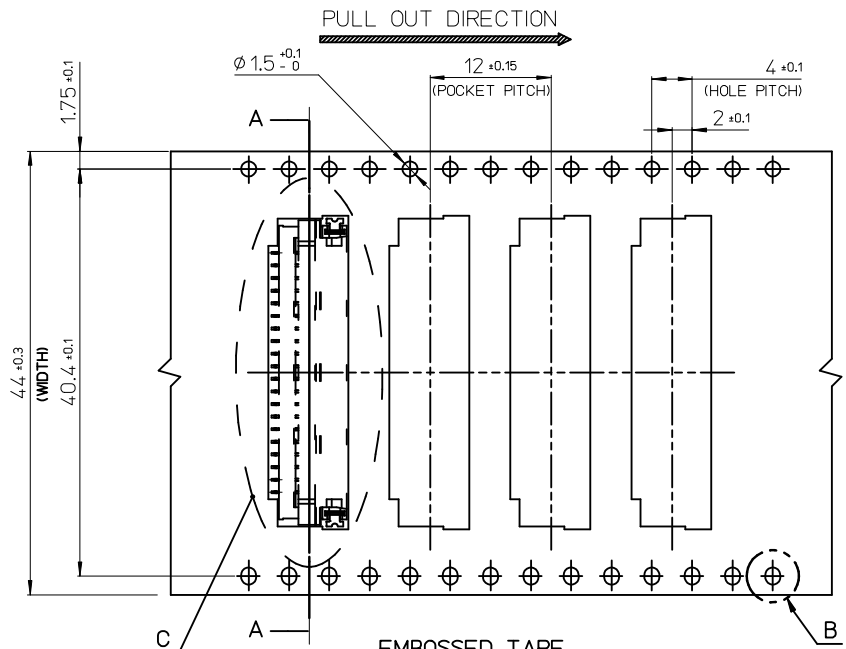
P.C. BOARD DIMENSION (RECOMMEND)



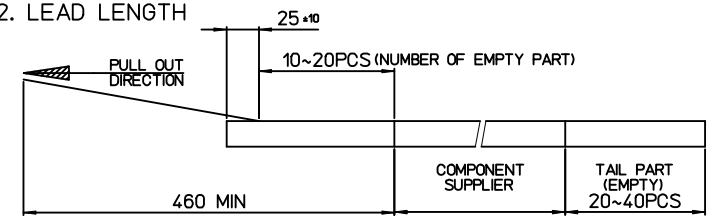
FPC/FFC DIMENSION (RECOMMEND)

(FLIM THICKNESS = 0.3±0.05)

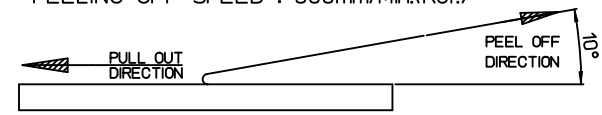
REVISED EC NO: KOR2010-0012 DRWN: JHJ CHKD: YSOKIM APPR: YUNSIKIM	2009/07/24 2009/07/24 2009/07/24	DESCRIPTION REV	QUALITY SYMBOLS ▽=0 ▽=0	GENERAL TOLERANCES (UNLESS SPECIFIED)		DIMENSION STYLE MM ONLY		SCALE 4:1	DESIGN UNITS METRIC	THIRD ANGLE PROJECTION	
			4 PLACES ± --- ± ---	mm    INCH	DRAWN BY JHLEE	DATE 2007/03/09	TITLE 1.25 FPC/FFC B/F HOUSING ASS'Y 20P (BOTTOM CONTACT)				
			3 PLACES ± --- ± ---	1 PLACE ± 0.25 ± ---	CHECKED BY KSKIM	DATE 2007/03/09					
			ANGULAR ± 1 °		APPROVED BY YSOKIM		DATE 2007/03/09	MOLEX INCORPORATED			
DRAFT WHERE APPLICABLE MUST REMAIN WITHIN DIMENSIONS		MATERIAL NO. SEE TABLE		DOCUMENT NO. SD-49597-001	SHEET NO. 2 OF 3						



- NOTES
1. QUANTITY OF CONNECTORS : 1200PCS/REEL
  2. LEAD LENGTH



3. PEELING OFF FORCE OF COVER TAPE : 0.1N~0.59N(10.2GF~60GF)  
(PEELING DIRECTION AS SHOW IN FOLLOW FIG.)  
PEELING OFF SPEED : 300mm/Min.(Ref.)



4. FLASH IN ANY PORTION SHOULD BE LESS THAN 0.20mm MAX.

HALOGEN FREE	495972047	495972040	49597-9920	44mm	BLACK
	495972037	495972030			NATURAL
NON-HF	495972017	495972010			BLACK
	495972007	495972000			NATURAL
TYPE	MATERIAL NO.	CONNECTOR	EMBOSS TAPE	TAPE WIDTH	COLOR
3	PLASTIC BOBBIN		HI P.S	WHITE	
2	COVER TAPE		P.E.T	37.5mm	
1	CARRIER (EMBOSSD) TAPE		P.E.T		
NO.	DESCRIPTION		MATERIAL	REMARK	

REVISED

EC NO: KOR2010-0012

DRWN: HJEONG 2009/07/24

CHKD: YSOOKIM 2009/07/24

APPR: YUNSIKKIM 2009/07/24

QUALITY SYMBOLS	$\nabla=0$	GENERAL TOLERANCES (UNLESS SPECIFIED)	DIMENSION STYLE		SCALE	DESIGN UNITS	THIRD ANGLE PROJECTION
	$\sphericalangle=0$		mm	INCH	1:1	METRIC	
			MM ONLY				
		4 PLACES	$\pm$ ---	$\pm$ ---	DRAWN BY	DATE	TITLE
		3 PLACES	$\pm$ ---	$\pm$ ---	JHLEE	2007/03/09	1.25 FPC/FFC B/F CONN HOUSING ASS'Y 20P (BOTTOM CONTACT)
		2 PLACES	$\pm 0.2$	$\pm$ ---	CHECKED BY	DATE	
		1 PLACE	$\pm 0.25$	$\pm$ ---	KSKIM	2007/03/09	
		ANGULAR $\pm 1^\circ$			APPROVED BY	DATE	
		DRAFT WHERE APPLICABLE MUST REMAIN WITHIN DIMENSIONS			YSOOKIM	2007/03/09	
		SEE TABLE			MATERIAL NO.		DOCUMENT NO.
		SEE TABLE			SD-49597-001		SHEET NO.
		THIS DRAWING CONTAINS INFORMATION THAT IS PROPRIETARY TO MOLEX INCORPORATED AND SHOULD NOT BE USED WITHOUT WRITTEN PERMISSION			MOLEX MOLEX INCORPORATED		3 OF 3