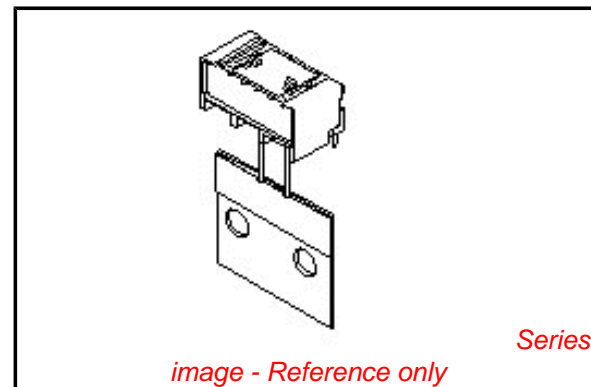


**PLEASE CHECK WWW.MOLEX.COM FOR LATEST PART INFORMATION**

**Part Number:** [0534260290](#)  
**Status:** **Active**  
**Overview:** [minilock](#)  
**Description:** 2.50mm (.098") Pitch Mini-Lock™ Wire-to-Board Header, Right Angle, Friction and Positive Lock, Radial Tape Packaging, 2 Circuits, Lead-free

**Documents:**

<a href="#">3D Model</a>	<a href="#">Product Specification PS-51103-007 (PDF)</a>
<a href="#">Drawing (PDF)</a>	<a href="#">Product Specification PS-51163-001 (PDF)</a>
<a href="#">Product Specification PS-51102-002 (PDF)</a>	<a href="#">Product Specification PS-51163-002 (PDF)</a>
<a href="#">Product Specification PS-51103-005 (PDF)</a>	<a href="#">RoHS Certificate of Compliance (PDF)</a>



**Agency Certification**

CSA	LR19980
TUV	R72081037
UL	E29179

**General**

Product Family	PCB Headers
Series	<a href="#">53426</a>
Application	Wire-to-Board
Overview	<a href="#">minilock</a>
Product Name	Mini-Lock™

**Physical**

Breakaway	No
Circuits (Loaded)	2
Circuits (maximum)	2
Color - Resin	White
Durability (mating cycles max)	30
Flammability	94V-0
Glow-Wire Compliant	No
Keying to Mating Part	Yes
Lock to Mating Part	Yes
Material - Metal	Phosphor Bronze
Material - Plating Mating	Tin
Material - Plating Termination	Tin
Number of Rows	1
Orientation	Right Angle
PC Tail Length (in)	0.110 In
PC Tail Length (mm)	2.80 mm
PCB Locator	Yes
PCB Retention	Yes
PCB Thickness Recommended (in)	0.062 In
PCB Thickness Recommended (mm)	1.60 mm
Packaging Type	Radial Tape
Pitch - Mating Interface (in)	0.098 In
Pitch - Mating Interface (mm)	2.50 mm
Polarized to PCB	No
Shrouded	Fully
Stackable	No
Surface Mount Compatible (SMC)	No
Temperature Range - Operating	-40°C to +105°C
Termination Interface: Style	Through Hole

**Electrical**

**EU RoHS**

**ELV and RoHS Compliant**  
**REACH SVHC Contains SVHC: No**  
**Halogen-Free Status**  
**Not Reviewed**

**China RoHS**



**Need more information on product environmental compliance?**

Email [productcompliance@molex.com](mailto:productcompliance@molex.com)  
 For a multiple part number RoHS Certificate of Compliance, [click here](#)

Please visit the [Contact Us](#) section for any non-product compliance questions.

**Search Parts in this Series**

[53426Series](#)

**Mates With**

[51102](#) Housing with Friction Lock. [51103](#) Housing with Positive Lock. [51163](#) , [51164](#) Housing with Positive Lock and Retainer. [50351](#) Crimp Terminal. [50752](#) Crimp Terminal

Current - Maximum per Contact  
Voltage - Maximum

3A  
250V

### **Material Info**

### **Reference - Drawing Numbers**

Packaging Specification  
Product Specification

SPK-53426-001  
PS-51102-002, PS-51103-005, PS-51103-007,  
PS-51163-001, PS-51163-002, RPS-51103-010,  
RPS-51103-011, RPS-51103-022, RPS-51103-032,  
RPS-51103-033, RPS-51103-039, RPS-51103-041,  
RPS-51103-047, RPS-51103-050, RPS-51103-056,  
RPS-51103-057, RPS-51163-002  
SD-53426-002

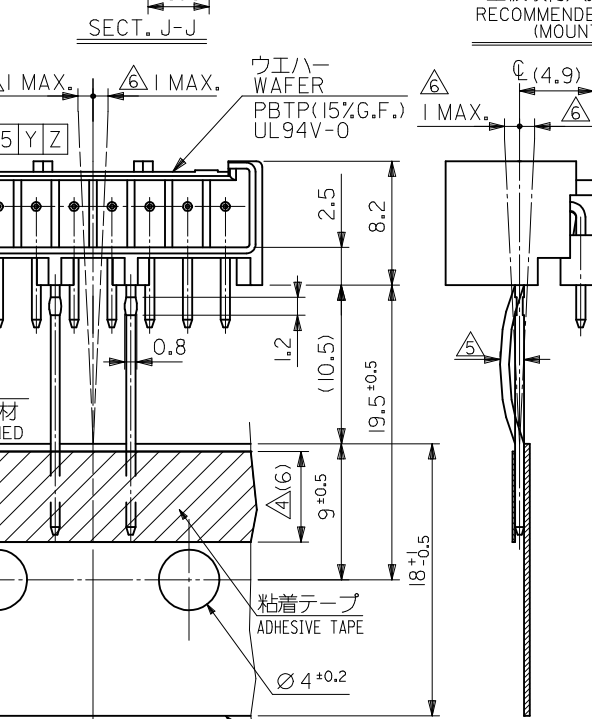
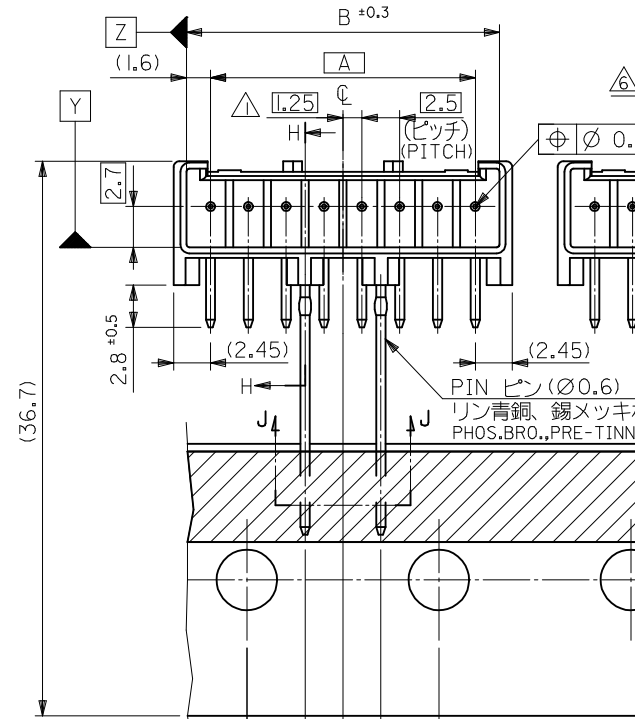
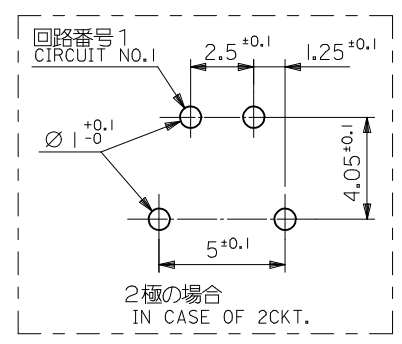
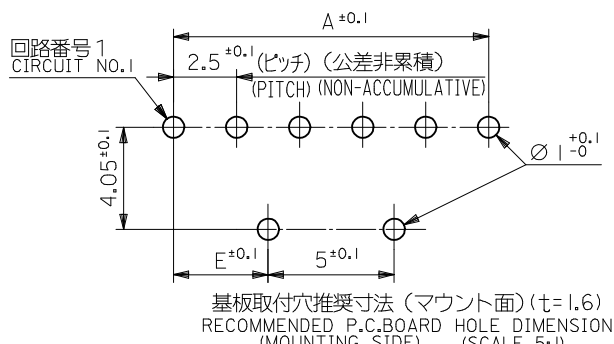
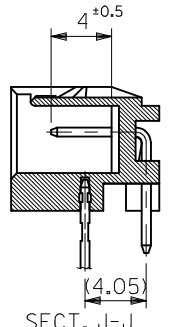
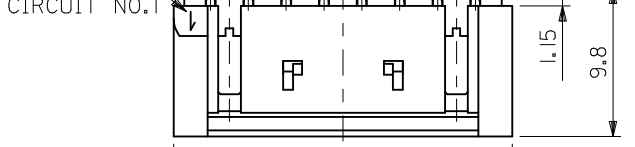
Sales Drawing

This document was generated on 05/25/2010

**PLEASE CHECK [WWW.MOLEX.COM](http://WWW.MOLEX.COM) FOR LATEST PART INFORMATION**

10 9 8 7 6 5 4 3 2 1

回路番号 1  
CIRCUIT NO.1



- 注記 NOTES
- △1 偶数極品に適用。  
APPLIES ONLY TO EVEN NO. CKT. SIZES.
  - 2. 嵌合相手：51102,51103 シリーズ  
MATES WITH:51102,51103 SERIES.
  - △3 累積ピッチの許容差は、20ピッチで ±1.0mm とする。  
ACCUMULATED TOLERANCE IS TO BE ±1.0mm PER 20 PITCH.
  - △4 粘着テープは、台紙からはみ出さないこと。  
THE ADHESIVE TAPE SHOULD NOT BE PROTRUDED FROM THE BASE TAPE.
  - △5 リード線の曲がりの許容差は 1mm MAX. とする。  
CAMBER OF THE LEADS : 1mm MAX.
  - △6 測定位置は、コネクタの先端とする。  
INCLINED POSITION FROM THE CENTER-LINE, SHOULD BE 1mm MAX. MEASURING SHOULD BE DONE, USING THE TOP OF BASE TAPE AS DATUM.
  - △7 測定位置は、台紙の上端としリード線の中心線との間隔とする。  
DIM. 3.85 AND DIM. 5 SHOULD BE MEASURED ON THE TOP OF BASE TAPE. DIMENSIONS ARE A SPACING BETWEEN THE CENTER-LINES.

300	6.25	25.4	22.4	20.7	17.5	53426-0890	8
	5	↑	19.9	18.2	15	↑	-0790
	3.75	↓	17.4	15.7	12.5	↓	-0690
	2.5	↓	14.9	13.2	10	↓	-0590
700	1.25	25.4	12.4	10.7	7.5	↓	-0490
	0	12.7	9.9	8.2	5	↓	-0390
	—	12.7	7.4	5.7	2.5	53426-0290	2
包装数量/箱 QTY/CARTON	E	D	C	B	A	MATERIAL NO.	極数 NO. OF PINS

注記 NOTES

8. 製品型番の下1桁は色を表す。  
LAST DIGIT OF PART NUMBER INDICATES COLOR.  
O : 白 WHITE



台紙  
BASE TAPE

GENERAL TOLERANCES (UNLESS SPECIFIED)	
10 UNDER	±0.2
10 OVER 30 UNDER	±0.25
30 OVER	±0.3
ANGULAR	±3 °
DRAFT WHERE APPLICABLE MUST REMAIN WITHIN DIMENSIONS	

REVISIONS

REV	DESCRIPTION	DATE
1	DRWN:NAKAMURA 2008/12/16	
2	CHKD:T. HARUYAMA 2008/12/16	
3	APPR:NUKITA 2009/01/19	

EC NO: J2009-0576

DIMENSION STYLE: MM ONLY

SCALE: 3:1

DESIGN UNITS: METRIC

THIRD ANGLE PROJECTION

TITLE: 2.5 W/B CONN WAFER ASSY R/A RADIAL TAPING -LEAD FREE-

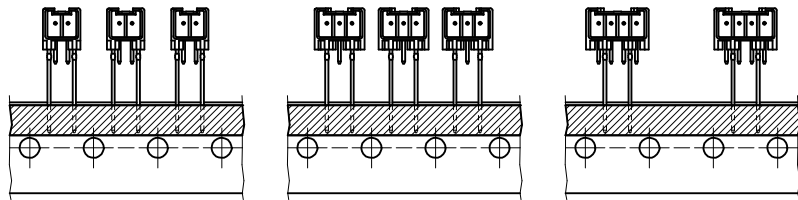
APPROVED BY: T. YAMAGUCHI 2001/11/13

MATERIAL NO. SD-53426-002

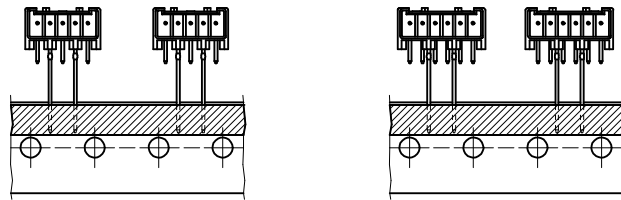
SHEET NO. 1 OF 2

SIZE: A3

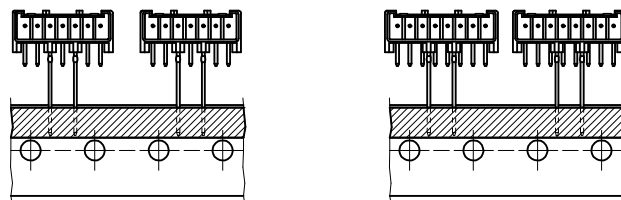
THIS DRAWING CONTAINS INFORMATION THAT IS PROPRIETARY TO MOLEX INCORPORATED AND SHOULD NOT BE USED WITHOUT WRITTEN PERMISSION



(2 極) (2 CKT.) (3 極) (3 CKT.) (4 極) (4 CKT.)

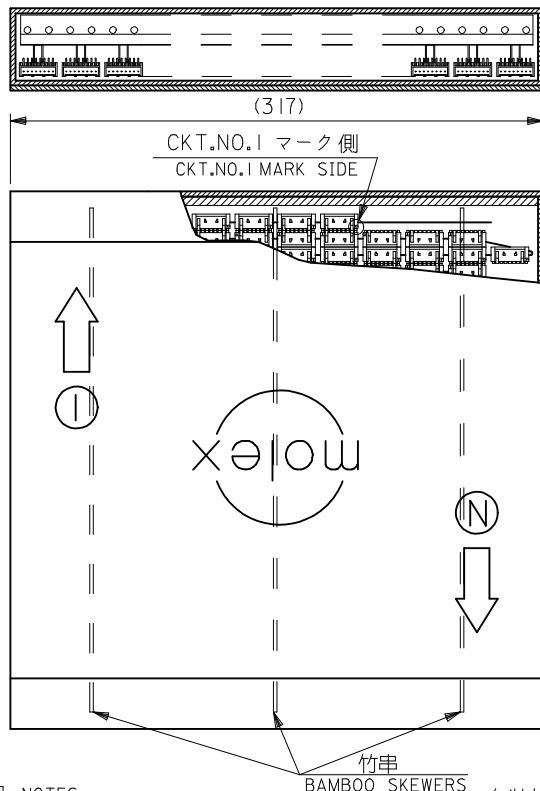
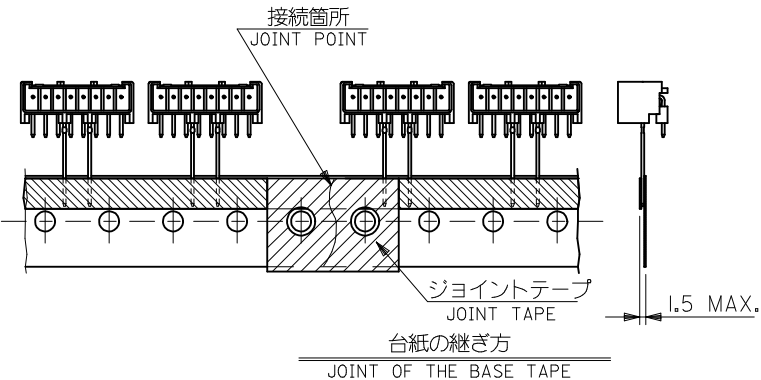


(5 極) (5 CKT.) (6 極) (6 CKT.)

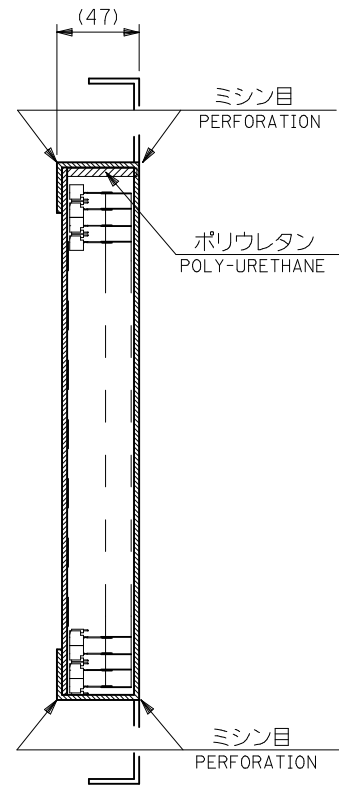


(7 極) (7 CKT.) (8 極) (8 CKT.)

極数別テーピング状態図  
CKT. TAPING FORM



包装状態図



注記 NOTES

- 包装形態はつづら折りで箱詰め。  
RADIAL TAPE IS FOLDED AND PILED IN THE CARTON.
- テーピングの両端には、5個以上の送り穴を設けること。  
BOTH ENDS OF TAPING, MORE THAN 5 FEEDING HOLES SHOULD BE PROVIDED.
- コネクタの欠落数は、D寸法 (SHEET 1 OF 2 参照) が 12.7 の場合連続3個まで、2.5, 4 の場合1個とする。(折り目ごとの1個抜きも含む)  
ALLOWABLE NUMBERS OF CONSECUTIVE MISSING CONNECTORS:  
FOR CONNECTORS WHERE D=12.7, =3 (REFER TO SHEET 1 OF 2)  
FOR CONNECTORS WHERE D=2.5, 4, =1
- 台紙の継ぎ目のずれは、いかなる方向からも ±0.3以内とする。  
MISMATCHED JOINT OF THE BASE TAPE SHOULD BE KEPT WITHIN ±0.3mm IN EVERY DIRECTIONS.
- 図中以外の項目は、日本工業規格 JIS C0805 \* 電子部品のテーピング \* を適用。  
ITEMS UNLESS OTHERWISE SPECIFIED, JIS C 0805 (TAPING OF ELECTRONIC COMPONENTS) SHOULD BE APPLIED.

PACKAGING FORM

REVISED EC NO: J2009-0576 DRAWN: MAKURAA 2008/12/16 CHKD: T. HARUYAMA 2008/12/16 APPR: NUKITA 2009/01/19	GENERAL TOLERANCES (UNLESS SPECIFIED)		DIMENSION STYLE MM ONLY	SCALE ---	DESIGN UNITS METRIC	THIRD ANGLE PROJECTION
	10 UNDER	±0.2	DRAWN BY K. TOJO	DATE 1993/05/24	TITLE 2.5 W/B CONN WAFER ASSY R/A RADIAL TAPING -LEAD FREE-	
	10 OVER 30 UNDER	±0.25	CHECKED BY K. ASAKAWA	DATE 2001/11/13	MOLEX INCORPORATED	
	30 OVER	±0.3	APPROVED BY T. YAMAGUCHI	DATE 2001/11/13	DOCUMENT NO. SD-53426-002	SHEET NO. 2 OF 2
REV	DESCRIPTION	ANGULAR ±3 ° DRAFT WHERE APPLICABLE MUST REMAIN WITHIN DIMENSIONS	MATERIAL NO. SEE CHEET 1	THIS DRAWING CONTAINS INFORMATION THAT IS PROPRIETARY TO MOLEX INCORPORATED AND SHOULD NOT BE USED WITHOUT WRITTEN PERMISSION		