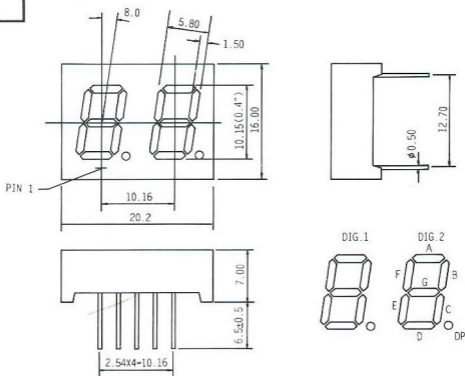




## PACKAGE DIMENSION

E20401



## INTERNAL CIRCUIT DIAGRAM

