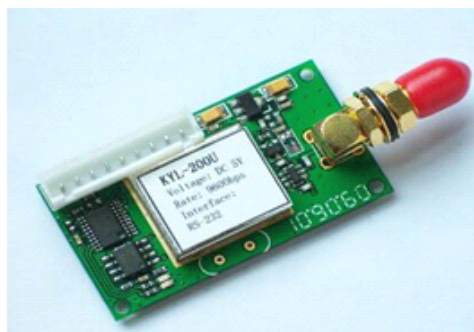


## KYL-200U Transceiver Module



KYL-200U is a kind of micro power wireless transceiver data module. With small size, low power consumption as well as good stability and reliability, it is widely used in remote control, industry automation, wireless telemetry and so on. This module can be connected with micro-controller, PC, RS485 equipments and other devices with UART port directly.

### I. Technical specification

<b>PERFORMANCE</b>	
Power Output:	100mW(Default), (50mW or 10mW optional)
RF Line-of-sight Range:	1000m@1200bps; 600m@9600bps
RF Effective Rate:	1200/2400/4800/9600/19200bps
Space Channel:	1MHz(Default), (12.5/25KHz customization )
Bandwidth:	<25KHz
Receiver Sensitivity:	-123dBm@1200bps(1% BER)
<b>NETWORKING</b>	
Networking Topology:	Point-to-point, point-to-multipoint
<b>COMPATIBILITY</b>	
KYL-200 and KYL-300 series	
<b>POWER</b>	
Supply Voltage:	5V DC (default), 3.3-3.6V( optional)
Transmit Current:	<40mA
Receive Current:	<20mA

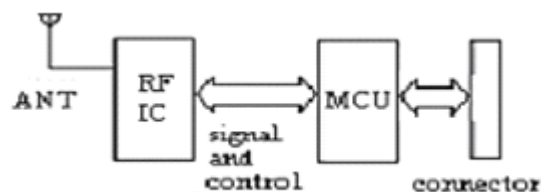
Sleep current:	<20uA
<b>GENERAL</b>	
Communication Mode:	Half-duplex
Frequency Band:	400-470MHz, 868MHz,915MHz
Channel:	8(default),16/32/64(optional)
Interface:	TTL, RS232, RS485
<b>PHYSICAL PROPERTIES</b>	
Size:	47mm × 26mm × 10mm (excluding antenna base and data pin)
Weight:	20g
Antenna Base:	50Ω, SMA
Operating Temperature:	Industrial:-40°C~+85°C(TCXO)
Frequency Stability:	±2.5ppm Industrial

## II. Application Field

- \* AMR (Automatic Meter Reading)
- \* Wireless alarm and security systems
- \* Building automation, wireless monitoring, Access Control System;
- \* Wireless data transmission, automatic data collection system;
- \* Wireless POS, PDA wireless smart terminal;
- \* Wireless PTZ remote control, LED display;
- \* Industry automation, wireless telemetry, SCADA and so on.

.....

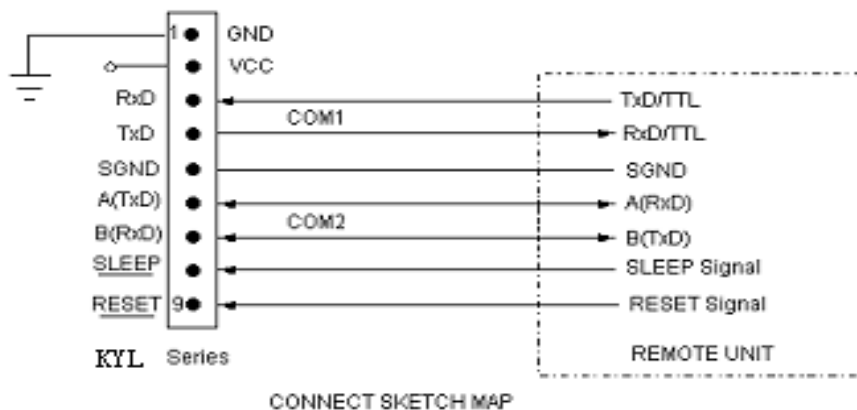
## III. How to Use It



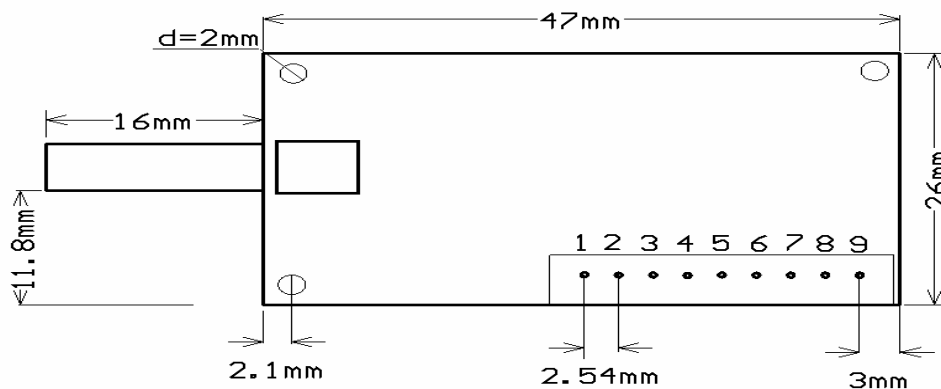
1. Default 5V Power supply
2. PIN Definition (9pin)

Pin No.	Signal Name	Function	Level	Connection with terminal	Remarks
1	GND	Grounding of power supply		Ground	
2	Vcc	Power supply DC	5V		
3	RxD/TTL	Data receiving	TTL	TxD	
4	TxD/TTL	Data transmitting	TTL	RxD	
5	SGND	Signal			
6	A (TXD)	A of RS-485 (TxD of RS-232)		A(RxD)	
7	B (RXD)	B of RS-485 (RxD of RS-232)		B(TxD)	
8	SLEEP	Sleep control		Sleep signal	Low level valid
9	TEST	Factory testing			

### 3. The connection schematic between computer and the RF module



### 4. Installation dimension:



### 5. The Function-indicator light

- The LED indicator turns red for 0.5S when power on.
- The LED indicator turns green continually while receiving data from air.

c. The LED indicator keeps dark when the module is in sleep mode.

## 6. Parameter setting by our software

You can use our software KYLCOM.exe to read or set the parameter on computer. When you connect RF module to PC by the testing cable, please remember to connect the DB9 as well as USB port to computer.

### i. Channel configuration:

Channel No.	Frequency	Channel No.	Frequency
1	429.0325MHZ	5	433.0325MHZ
2	430.0325MHZ	6	434.0325MHZ
3	431.0325MHZ	7	435.0325MHZ
4	432.0325MHZ	8	436.0325MHZ

## 7. About antenna

We usually allocate KYL-200U RF module with the following antenna. If you have any special needs about the antenna, please specify. You are welcomed to visit our web for more choice about the antenna:

<http://www.rf-data.com/product2.asp?BigClassName=Antennas>. Moreover, we also provide OEM&ODM service.



## Shenzhen KYL Communication Equipment Co., Ltd

Welcome to contact Sunny Zhou for more details

Email: sales02@rf-data.com

Fax: 86-755-83408785

Tel: 86-755-82943662