

**L675 PANEL FUSEHOLDER BARRIER &
PANEL SEALED**

Design facilitates use for size 00 fuse links. This is a rugged fuseholder and was specially designed for Services use with heavy duty (high rupturing capacity) fuse links. It is not suitable for use with Glass cartridge fuse links

CURRENT RATING: 2A (temperature rise to $\leq 40^{\circ}\text{C}$)

TEMPERATURE RANGE: -55°C to $+70^{\circ}\text{C}$ (ambient)

BREAKDOWN VOLTAGE: 9kV (sea level)

INSERTION RESISTANCE 5 milliohms (average)

INSULATION RESISTANCE ≥ 100 megohms

PANEL THICKNESS (MAX): 3.8mm

FIXING TORQUE: 0.62 Nm

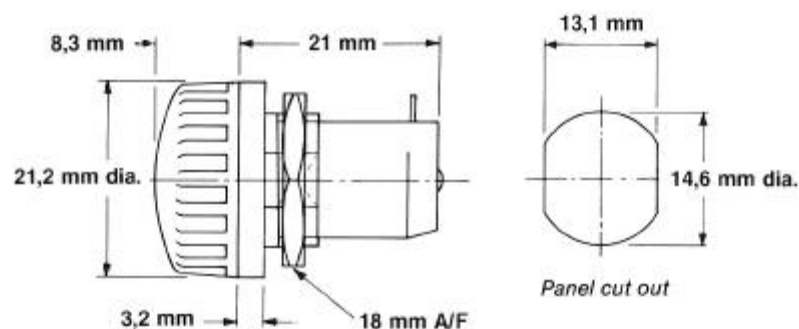
HUMIDITY: H5

MATERIAL: Moulding, phenolic

WEIGHT: 13.7g

APPROVALS: Conforms to DEF 59-100

ORDERING REFERENCE: L675



Dialight BLP reserve the right to change without prior notice the information contained within this leaflet

Dialight BLP Ltd., Exning Road, Newmarket, Suffolk, CB8 0AX, England
Tel: +44 (0)1638 665161 Fax: +44 (0)1638 660718 email: sales@blpcomp.com <http://www.blpcomp.com>