



# MIC5060

## Ultra Small High-Side MOSFET Driver

### General Description

The MIC5060 MOSFET driver is designed for gate control of N-Channel, enhancement-mode, and power MOSFETs used as high-side or low-side switches. The MIC5060 can sustain an on-state output indefinitely.

The MIC5060 operates from a 2.75V to 30V supply. In high-side configurations, the driver can control MOSFETs that switch loads of up to 30V. In low-side configurations, with separate supplies, the maximum switched voltage is limited only by the MOSFET.

The MIC5060 has a non-inverting, TTL-compatible control input.

The MIC5060 features an internal charge pump that can sustain a gate voltage greater than the available supply voltage. The driver is capable of turning on a logic-level MOSFET from a 2.75V supply or a standard MOSFET from a 5V supply. The gate-to-source output voltage is internally limited to approximately 15V.

The MIC5060 is protected against automotive load dump, reversed battery, and inductive load spikes of -20V.

The driver's overvoltage shutdown feature turns off the external MOSFET at approximately 35V to protect the load against power supply excursions.

The MIC5060 is available in 3mm x 3mm MLF<sup>®</sup> package.

Datasheets and support documentation can be found on Micrel's web site at: [www.micrel.com](http://www.micrel.com).

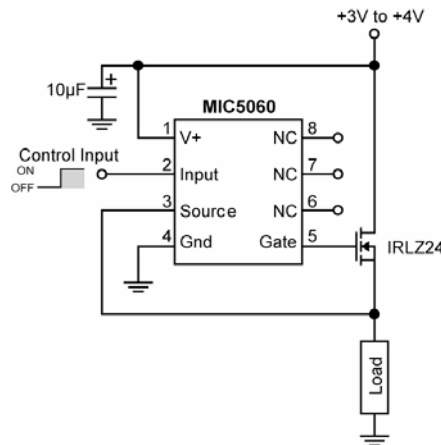
### Features

- 2.75V to 30V operation
- 100µA maximum supply current (5V supply)
- 15µA typical off-state current
- Internal charge pump
- TTL-compatible input
- Withstands 60V transient (load dump)
- Reverse battery protected to -20V
- Inductive spike protected to -20V
- Overvoltage shutdown at 35V
- Internal 15V gate protection
- Minimum external parts
- Operates in high-side or low-side configurations
- 1µA control input pull-off
- Available in 8-pin 3mm x 3mm MLF<sup>®</sup> package

### Applications

- Notebook Battery safety switches
- UMPC and Web Tablet Battery protection
- Battery-powered computer power management
- General MOSFET switch applications
- Power bus switching

### Typical Application



3V "Sleep-Mode" Switch with a Logic-Level MOSFET

MLF is a registered trademark of Amkor Technology, Inc.

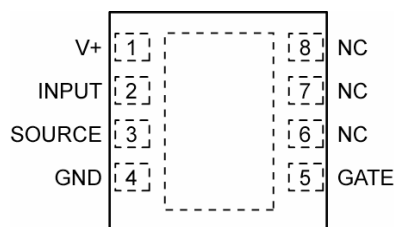
## Ordering Information<sup>(1, 2)</sup>

Part Number	Marking Code	Temperature Range	Configuration	Package
MIC5060YML	MIC5060	-40°C to +85°C	Non-Inverting	8-pin 3mm x 3mm MLF <sup>®</sup>

**Note:**

- Pin 1 identifier symbol is “\*”.
- MLF<sup>®</sup> is a Green RoHS-compliant package. Lead finish is NiPdAu. Mold compound is Halogen free.

## Pin Configuration



**8-Pin (3mm x 3mm) MLF<sup>®</sup> (ML)  
Top View**

## Pin Description

Pin Number	Pin Name	Pin Function
1	V+	Supply. Must be decoupled to isolate from large transients caused by the power MOSFET drain. 10 $\mu$ F is recommended close to pins 1 and 4.
2	Input	Turns on power MOSFET when taken above (or below) threshold (1.0V typical). Pin 2 requires ~ 1 $\mu$ A to switch.
3	Source	Connects to source lead of power MOSFET and is the return for the gate clamp zener. Pin 3 can safely swing to -20V when turning off inductive loads.
4	Ground	Ground.
5	Gate	Drives and clamps the gate of the power MOSFET.
6, 7, 8	NC	Not internally connected.

**Absolute Maximum Ratings<sup>(1)</sup>**

Supply Voltage .....	-20V to 40V
Input Voltage .....	-20V to V(+)+0.3V
Source Voltage .....	-20V to V+
Source Current .....	50mA
Gate Voltage .....	-20V to 50V
Lead Temperature (Soldering, 10 sec) .....	260°C
Junction Temperature .....	150°C
Storage Temperature (Ts).....	-65°C to 150°C

**Operating Ratings<sup>(2)</sup>**

Ambient Temperature: .....	-40°C to +85°C
Supply Voltage (V+) .....	2.75V to 30V
Junction Thermal Resistance MLF <sup>®</sup> ( $\theta_{JA}$ ).....	60°C/W

**Electrical Characteristics<sup>(3)</sup>**

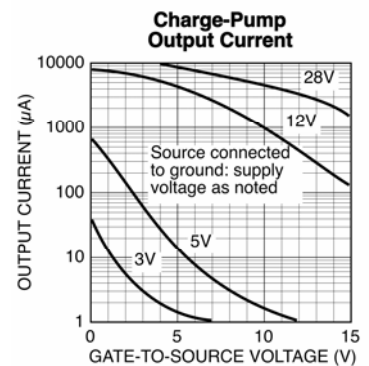
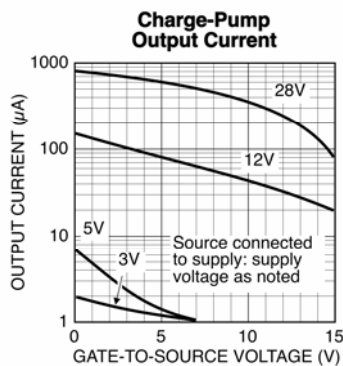
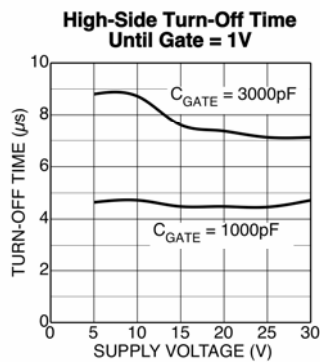
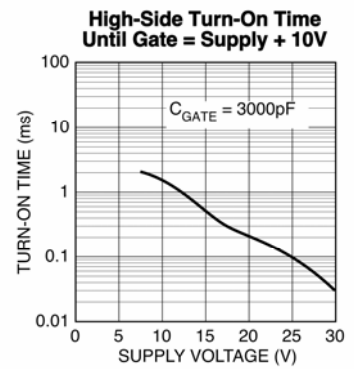
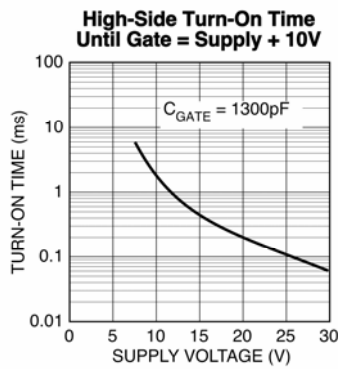
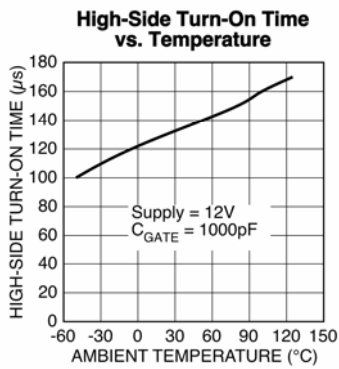
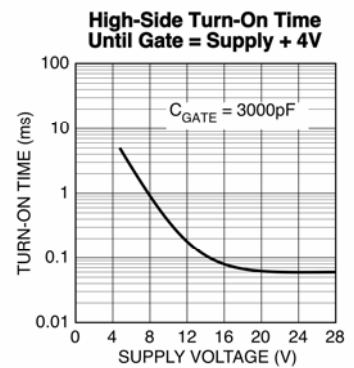
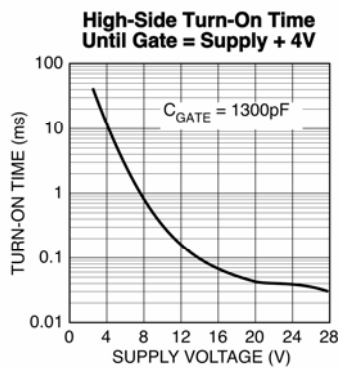
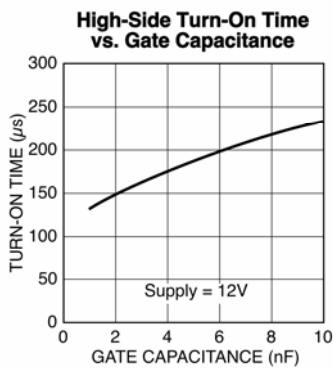
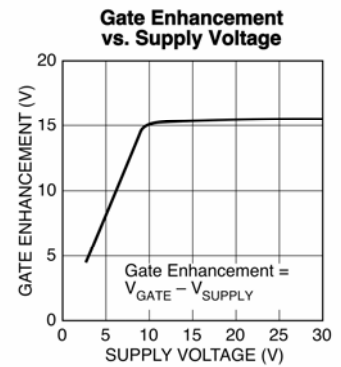
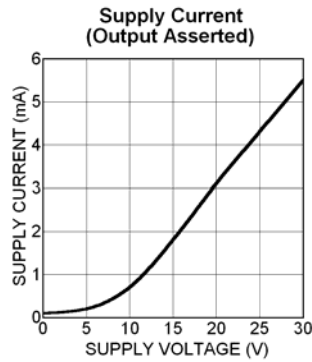
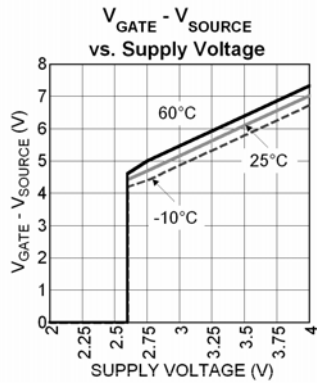
$T_J = T_A = -40^\circ\text{C}$  to  $+85^\circ\text{C}$  unless otherwise specified.

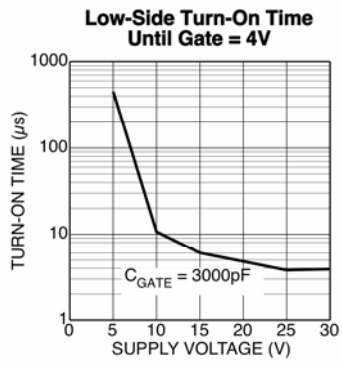
Parameter	Condition	Min.	Typ.	Max.	Units	
Supply Current	V+ = 30V	V <sub>IN</sub> De-Asserted, Note 4		10	25	μA
		V <sub>IN</sub> Asserted, Note 4		5.0	10	mA
	V+ = 5V	V <sub>IN</sub> De-Asserted, Note 4		10	25	μA
		V <sub>IN</sub> Asserted, Note 4		60	100	μA
	V+ = 3V	V <sub>IN</sub> De-Asserted, Note 4		10	25	μA
		V <sub>IN</sub> Asserted, Note 4		25	35	μA
Logic Input Voltage Threshold V <sub>IN</sub>	2.75V ≤ V+ ≤ 30V T <sub>A</sub> = 25°C	Digital Low Level			0.8	V
		Digital High Level	2.0			
Logic Input Current MIC5060	2.75V ≤ V+ ≤ 30V	V <sub>IN</sub> Low	-2.0	0		μA
		V <sub>IN</sub> High		1.0	2.0	μA
Gate Enhancement V <sub>GATE</sub> – V <sub>SUPPLY</sub>	3.0V ≤ V+ ≤ 30V	V <sub>IN</sub> Asserted	3.0		17	V
Zener Clamp V <sub>GATE</sub> – V <sub>SOURCE</sub>	8.0V ≤ V+ ≤ 30V	V <sub>IN</sub> Asserted	13	15	17	V
Gate Turn-on Time, t <sub>ON</sub> Note 5	V+ = 4.5V C <sub>L</sub> = 1000pF	V <sub>IN</sub> switched on, measure time for V <sub>GATE</sub> to reach V+ + 4V		2.5	8.0	ms
	V+ = 12V C <sub>L</sub> = 1000pF	As above, measure time for V <sub>GATE</sub> to reach V+ + 4V		90	140	μs
Gate Turn-off Time, t <sub>OFF</sub> Note 5	V+ = 4.5V C <sub>L</sub> = 1000pF	V <sub>IN</sub> switched off, measure time for V <sub>GATE</sub> to reach 1V		6.0	30	μs
	V+ = 12V C <sub>L</sub> = 1000pF	As above, measure time for V <sub>GATE</sub> to reach 1V		6.0	30	μs
Overvoltage Shutdown Threshold			35	37	41	V

**Notes:**

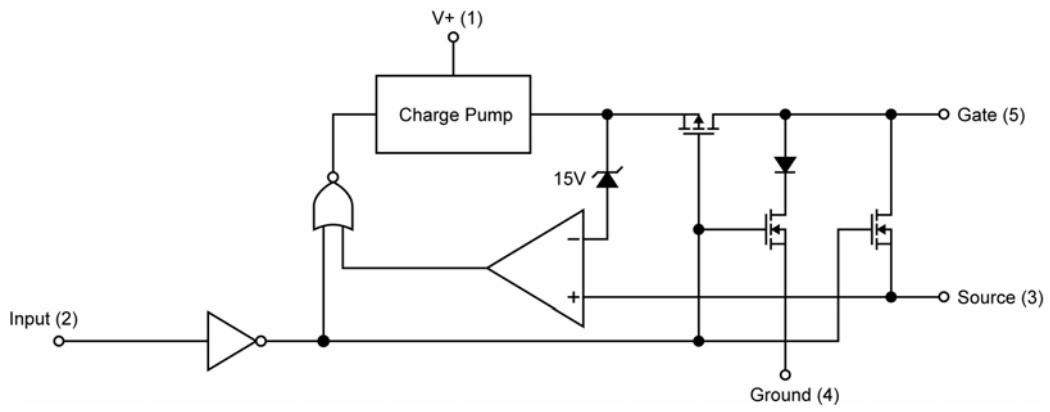
- Exceeding the absolute maximum rating may damage the device.
- The device is not guaranteed to function outside its operating rating.
- Minimum and maximum Electrical Characteristics are 100% tested at T<sub>A</sub> = 25°C and T<sub>A</sub> = 85°C, and 100% guaranteed over the entire operating temperature range. Typicals are characterized at 25°C and represent the most likely parametric norm.
- "Asserted" refers to a logic high on the MIC5060.
- Test conditions reflect worst-case high-side driver performance. Low-side and bootstrapped topologies are significantly faster—see Applications Information.

# Typical Characteristics





### Block Diagram



## Application Information

### Functional Description

The internal functions of the MIC5060 is controlled via a logic block (refer to block diagram) connected to the control input (pin 2). When the input is off (low), all functions are turned off, and the gate of the external power MOSFET is held low via two N-Channel switches. This results in a very low standby current, 15 $\mu$ A typical, which is necessary to power an internal bandgap.

When the input is driven to the "ON" state, the N-Channel switches are turned off, the charge pump is turned on, and the P-Channel switch between the charge pump and the gate turns on, allowing the gate of the power FET to be charged. The op amp and internal zener form an active regulator which shuts off the charge pump when the gate voltage is high enough.

The charge pump incorporates a 100kHz oscillator and on-chip pump capacitors capable of charging a 1000pF load in 90 $\mu$ s typical. In addition to providing active regulation, the internal 15V zener is included to prevent exceeding the V<sub>GS</sub> rating of the power MOSFET at high supply voltages.

The MIC5060 device has been improved for greater ruggedness and durability. All pins can withstand being pulled 20V below ground without sustaining damage, and the supply pin can withstand an overvoltage transient of 60V for 1s. An overvoltage shutdown has also been included, which turns off the device when the supply exceeds 35V.

### Construction Hints

High current pulse circuits demand equipment and assembly techniques that are more stringent than normal, low current lab practices. The following are the sources of pitfalls most often encountered during prototyping:

**Supplies:** Many bench power supplies have poor transient response. Circuits that are being pulse tested, or those that operate by pulse-width modulation will produce strange results when used with a supply that has poor ripple rejection, or a peaked transient response. Always monitor the power supply voltage that appears at the drain of a high side driver (or the supply side of the load for a low side driver) with an oscilloscope. It is not uncommon to find bench power supplies in the 1kW class that overshoot or undershoot by as much as 50% when pulse loaded. Not only will the load current and voltage measurements be affected, but also it is possible to overstress various components, especially electrolytic capacitors, with possibly catastrophic results. A 10 $\mu$ F supply bypass capacitor at the chip is recommended. Residual resistances: Resistances in circuit connections may also cause confusing results. For example, a circuit may employ a 50m $\Omega$  power MOSFET for low voltage drop, but unless careful construction techniques are used, one could

easily add 50m $\Omega$  to 100m $\Omega$  resistance. Do not use a socket for the MOSFET. If the MOSFET is a TO-220 type package, make high current connections to the drain tab. Wiring losses have a profound effect on high-current circuits. A floating milliohmeter can identify connections that are contributing excess drop under load.

### Low Voltage Testing

As the MIC5060 has relatively high output impedances, a normal oscilloscope probe will load the device. This is especially pronounced at low voltage operation. It is recommended that a FET probe or unity gain buffer be used for all testing.

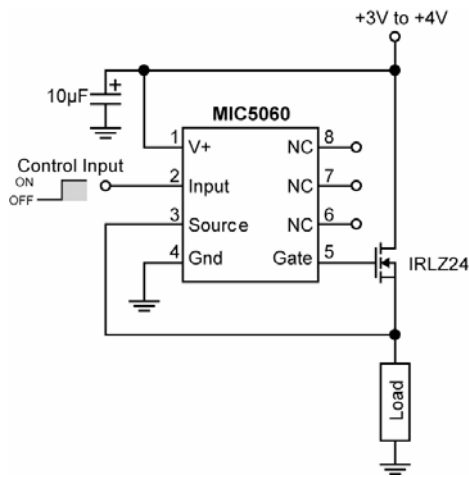
### Circuit Topologies

The MIC5060 is well suited for use with standard power MOSFETs in both low and high side driver configurations. In addition, the lowered supply voltage requirements of these devices make them ideal for use with logic level FETs in high side applications with a supply voltage of 3V to 4V. (If higher supply voltages [ $>4$ V] are used with logic level FETs, an external zener clamp must be supplied to ensure that the maximum V<sub>GS</sub> rating of the logic FET [10V] is not exceeded.) In addition, a standard I<sub>GBT</sub> can be driven using these devices.

Choice of one topology over another is usually based on speed vs. safety. The fastest topology is the low side driver, however, it is not usually considered as safe as high side driving as it is easier to accidentally short a load to ground than to V<sub>CC</sub>. The slowest, but safest topology is the high side driver; with speed being inversely proportional to supply voltage. It is the preferred topology for most military and automotive applications. Speed can be improved considerably by bootstrapping from the supply.

All topologies implemented using these devices are well suited to driving inductive loads, as either the gate or the source pin can be pulled 20V below ground with no effect.

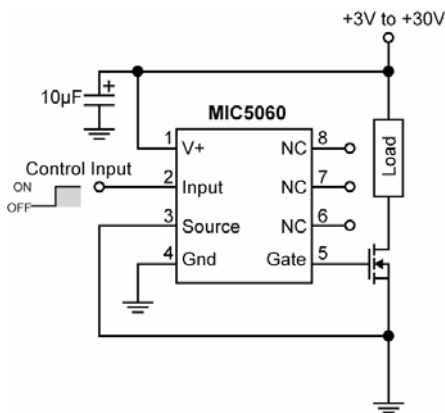
External clamp diodes are unnecessary, except for the case in which a transient may exceed the overvoltage trip point.



**Figure 1. 3V “Sleep-Mode” Switch with a Logic-Level MOSFET**

**High Side Driver**

The high side topology shown in Figure 1 is an implementation of a “sleep-mode” switch for a laptop or notebook computer, which uses a logic level FET. A standard power FET can easily be substituted when supply voltages above 4V are required.



**Figure 2. Low Side Driver**

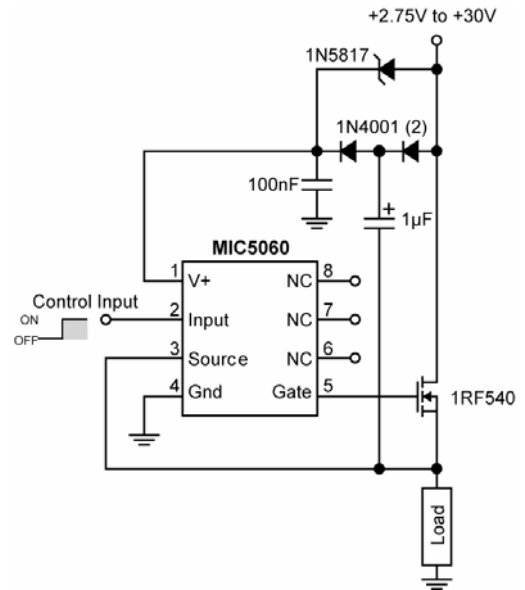
**Low Side Driver**

A key advantage of this topology, as previously mentioned, is speed. The MOSFET gate is driven to near supply immediately when the MIC5060 is turned on. Typical circuits reach full enhancement in 50µs or less with a 15V supply.

**Bootstrapped High Side Driver**

The turn-on time of a high side driver can be improved to faster than 40µs by bootstrapping the supply with the MOSFET source. The Schottky barrier diode prevents the supply pin from dropping more than 200mV below the

drain supply and improves turn-on time. Since the supply current in the “off” state is only a small leakage, the 100nF bypass capacitor tends to remain charged for several seconds after the MIC5060 is turned off. Faster speeds can be obtained at the expense of supply voltage (the overvoltage shutdown will turn the part off when the bootstrapping action pulls the supply pin above 35V) by using a larger capacitor at the junction of the two 1N4001 diodes. In a PWM application (this circuit can be used for either PWM’ed or continuously energized loads), the chip supply is sustained at a higher potential than the system supply, which improves switching time.



**Figure 3. Bootstrapped High-Side Driver**

**High Side Driver with Current Sense**

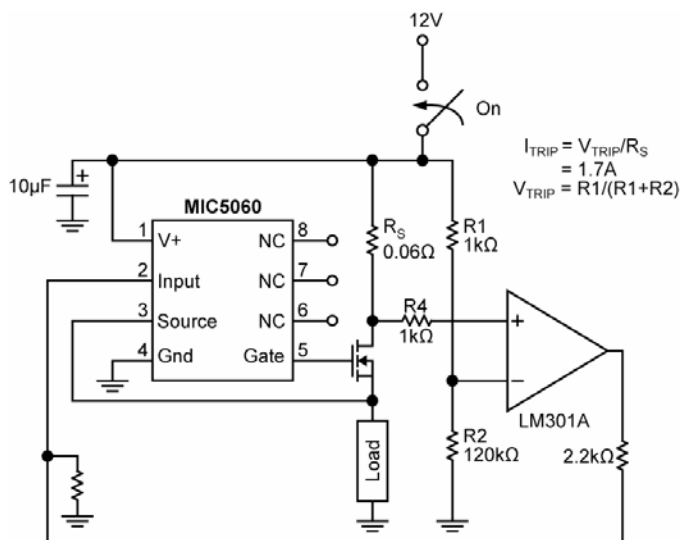
Although no current sense function is included on the MIC5060, a simple current sense function can be realized via the addition of one more active component; an LM301A op amp used as a comparator. The positive rail of the op amp is tied to V+, and the negative rail is tied to ground. This op amp was chosen as it can withstand having input transients that swing below the negative rail, and has common mode range almost to the positive rail.

The inverting side of this comparator is tied to a voltage divider, which sets the voltage to  $V+ - V_{TRIP}$ . The non inverting side is tied to the node between the drain of the FET and the sense resistor. If the overcurrent trip point is not exceeded, this node will always be pulled above  $V+ - V_{TRIP}$ , and the output of the comparator will be high which feeds the control input of the MIC5060. Once the overcurrent trip point has been reached, the comparator will go low, which shuts off the MIC5060. When the short is removed, feedback to the input pin insures that the MIC5060 will turn back on. This output can also be level



shifted and sent to an I/O port of a microcontroller for intelligent control.

Current Shunts ( $R_S$ ). Low valued resistors are necessary for use at  $R_S$ . Resistors are available with values ranging from  $1\text{ m}\Omega$  to  $50\text{ m}\Omega$ , at 2 to 10W. If a precise overcurrent trip point is not necessary, then a non-precision resistor or even a measured PCB trace can serve as  $R_S$ . The major cause of drift in resistor values with such resistors is temperature coefficient; the designer should be aware that a linear,  $500\text{ ppm}/^\circ\text{C}$  change will contribute as much as 10% shift in the overcurrent trip point. If this is not acceptable, a power resistor designed for current shunt service (drifts less than  $100\text{ ppm}/^\circ\text{C}$ ), or a Kelvin-sensed resistor may be used.†



**Figure 4. High Side Driver with Overcurrent Shutdown**

† **Suppliers of Precision Power Resistors:**

Dale Electronics, Inc., 2064 12th Ave., Columbus, NE 68601

(402) 565-3131

International Resistive Co., P.O. Box 1860, Boone, NC 28607-1860

(704) 264-8861

Isotek Corp., 566 Wilbur Ave., Swansea, MA 02777

(508) 673-2900

Kelvin, 14724 Ventura Blvd., Ste. 1003, Sherman Oaks, CA 91403-3501

(818) 990-1192

RCD Components, Inc., 520 E. Industrial Pk. Dr., Manchester, NH 03103

(603) 669-0054

Ultronix, Inc., P.O. Box 1090, Grand Junction, CO 81502

(303) 242-0810



### Relay Driver

Some power relay applications require the use of a separate switch or drive control, such as in the case of microprocessor control of banks of relays where a logic level control signal is used, or for drive of relays with high power requirements. The combination of an MIC5060 and a power FET also provides an elegant solution to power relay drive.

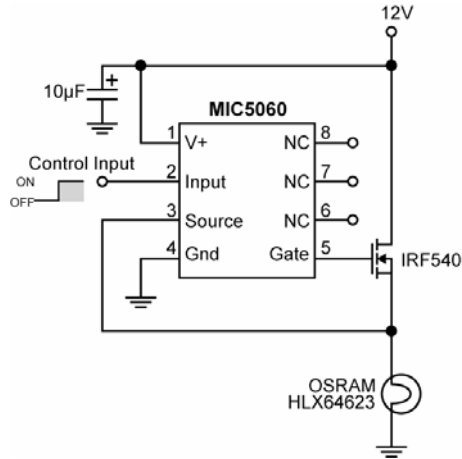


Figure 8. Relay Driver

### Motor Driver with Stall Shutdown

Tachometer feedback can be used to shut down a motor driver circuit when a stall condition occurs. The control switch is a 3-way type; the “START” position is momentary and forces the driver ON. When released, the switch returns to the “RUN” position, and the tachometer’s output is used to hold the MIC5060 input ON. If the motor slows down, the tach output is reduced, and the MIC5060 switches OFF. Resistor “R” sets the shutdown threshold.

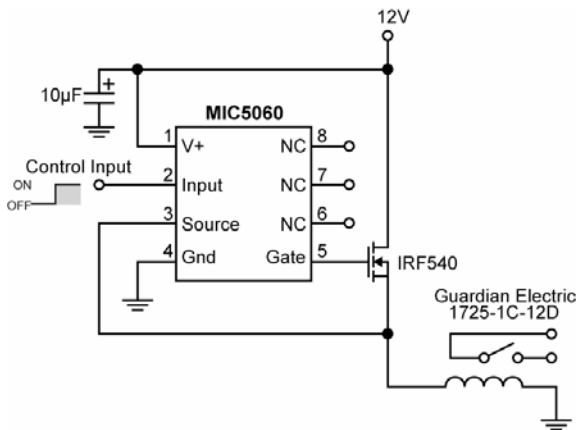


Figure 9. Motor Stall Shutdown

### Simple DC-DC Converter

The simplest application for the MIC5060 is as a basic one-chip DC-DC converter.

As the output (Gate) pin has relatively high impedance, the output voltage shown will vary significantly with applied load.

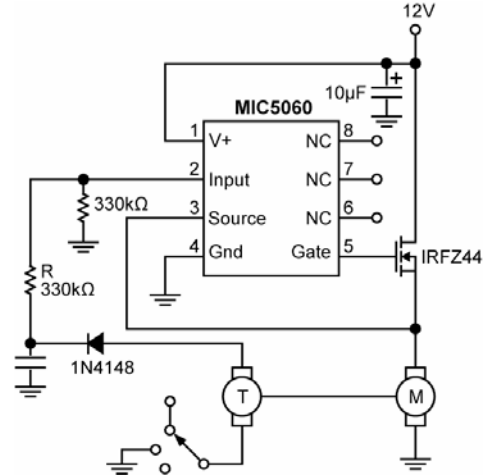


Figure 10. DC-DC Converter

### High Side Driver with Load Protection

Although the MIC5060 is reverse battery protected, the load and power FET are not, in a typical high side configuration. In the event of a reverse battery condition, the internal body diode of the power FET will be forward biased. This allows the reversed supply access to the load.

The addition of a Schottky diode between the supply and the FET eliminates this problem. The MBR2035CT was chosen as it can withstand 20A continuous and 150A peak, and should survive the rigors of an automotive environment. The two diodes are paralleled to reduce switch loss (forward voltage drop)

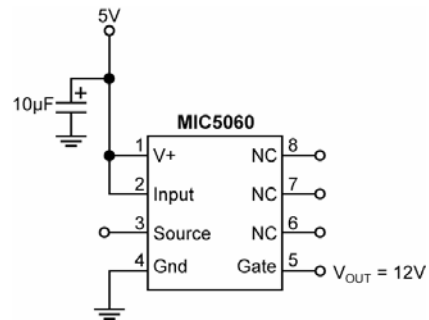
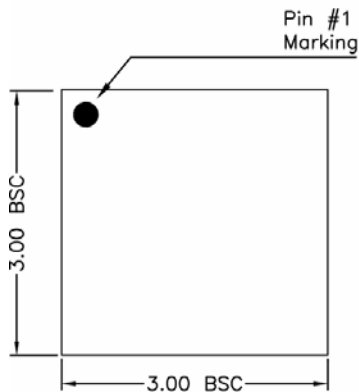
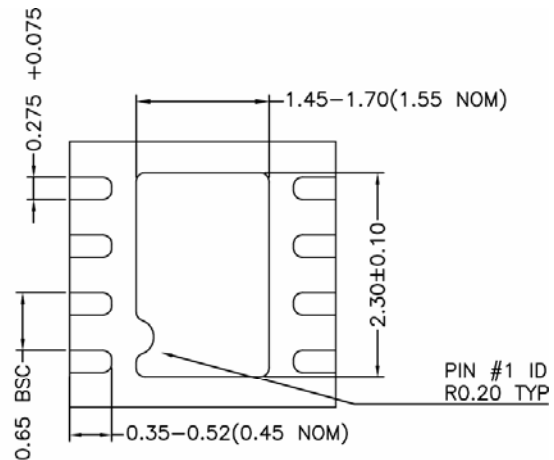


Figure 11. High-Side Driver with Load Protection

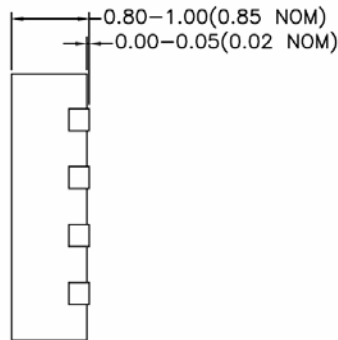
**Package Information**



TOP VIEW



BOTTOM VIEW



SIDE VIEW

**8-Pin (3mm x 3mm) MLF<sup>®</sup> (ML)**

**MICREL, INC. 2180 FORTUNE DRIVE SAN JOSE, CA 95131 USA**  
 TEL +1 (408) 944-0800 FAX +1 (408) 474-1000 WEB <http://www.micrel.com>

The information furnished by Micrel in this data sheet is believed to be accurate and reliable. However, no responsibility is assumed by Micrel for its use. Micrel reserves the right to change circuitry and specifications at any time without notification to the customer.

Micrel Products are not designed or authorized for use as components in life support appliances, devices or systems where malfunction of a product can reasonably be expected to result in personal injury. Life support devices or systems are devices or systems that (a) are intended for surgical implant into the body or (b) support or sustain life, and whose failure to perform can be reasonably expected to result in a significant injury to the user. A Purchaser's use or sale of Micrel Products for use in life support appliances, devices or systems is a Purchaser's own risk and Purchaser agrees to fully indemnify Micrel for any damages resulting from such use or sale.

© 2009 Micrel, Incorporated.