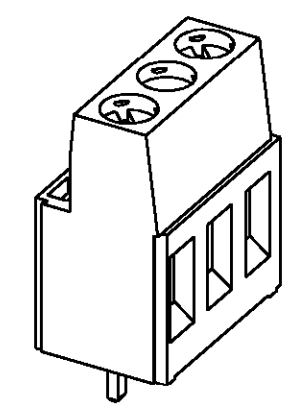
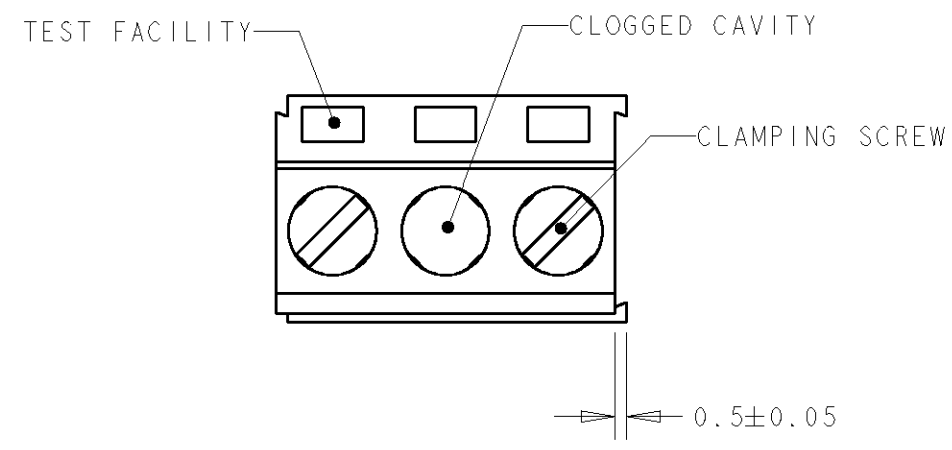


THIS DRAWING IS UNPUBLISHED. RELEASED FOR PUBLICATION 20  
 © COPYRIGHT 20 BY TYCO ELECTRONICS CORPORATION. ALL RIGHTS RESERVED.

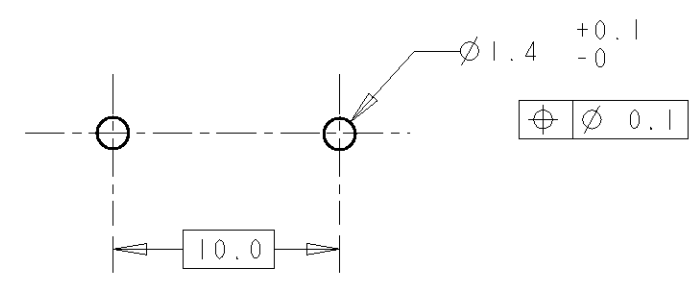
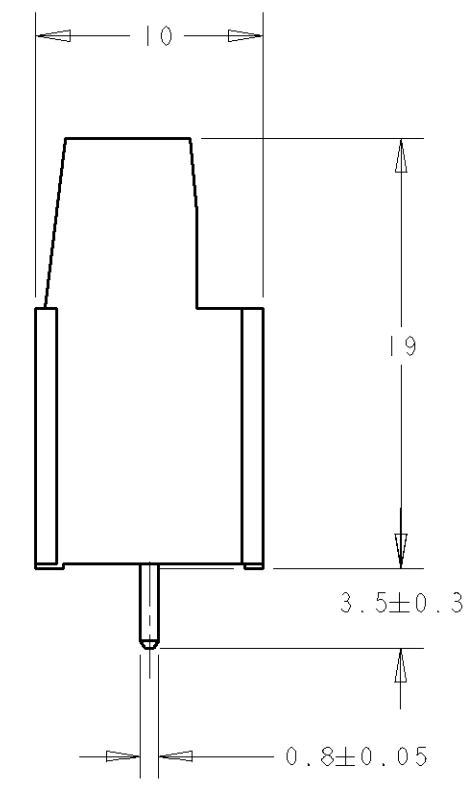
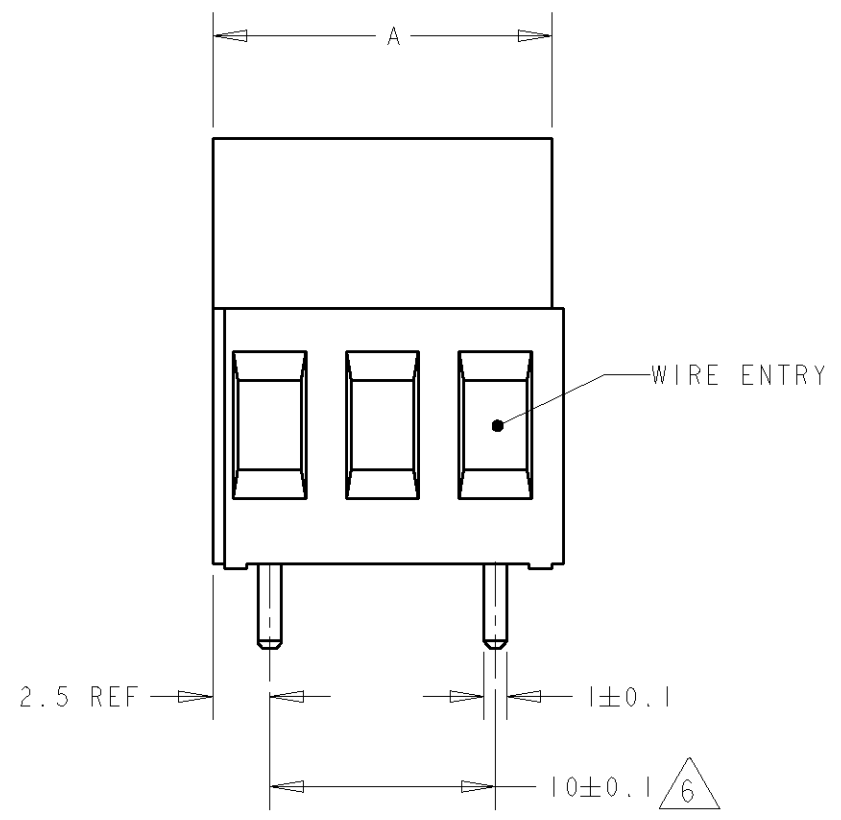
LOC	DIST	REVISIONS			
P	LTR	DESCRIPTION	DATE	DWN	APVD
	C	REVISED PER 0G3B-0106-01	05SEP2001	EZ	DB
	D	REVISED PER 0G3B-0119-01	05SEP2001	EZ	DB
	E	REVISED EC 0G3B-0115-02	16JAN2003	SW	CR



282858-2 AS SHOWN  
SCALE 2:1

- 1 MATERIALS AND FINISH  
HOUSING: PA 6-6, UL 94-V0, COLOR GREEN.  
CLAMP: BRASS, NICKEL PLATED.  
TERMINAL: BRASS, TIN PLATED.  
CLAMPING SCREW: M3, BRASS, NICKEL PLATED.
- 2 SUITABLE FOR 1,6-2,4mm PC BOARD THICKNESS.
- 3 WIRE SIZE RANGE  
SOLID WIRE: 0,03-4mm<sup>2</sup> (11AWG).  
STRANDED WIRE: 0,03-2,5mm<sup>2</sup> (13AWG).
- 4 RECOGNIZED UNDER THE COMPONENT PROGRAM OF  
UNDERWRITERS LABORATORIES INC. FILE N° E60677.
- 5 IMQ CERTIFICATE WITH SURVEILLANCE IN CONFORMITY  
WITH IEC 998-1/998-2-1.
- 6 NOT CUMULATIVE TOLERANCE.

125	13	1-282858-3
115	12	1-282858-2
105	11	1-282858-1
95	10	1-282858-0
85	9	282858-9
75	8	282858-8
65	7	282858-7
55	6	282858-6
45	5	282858-5
35	4	282858-4
25	3	282858-3
15	2	282858-2
DIM. A	N° OF POS.	PART NUMBER



RECOMMENDED PC BOARD LAYOUT

<small>THIS DRAWING IS A CONTROLLED DOCUMENT FOR TYCO ELECTRONICS CORPORATION IT IS SUBJECT TO CHANGE AND THE CONTROLLING ENGINEERING ORGANIZATION SHOULD BE CONTACTED FOR THE LATEST REVISION.</small>		DWN 05SEP2001 E. ZANOLINI CHR 05SEP2001 D. BIEVENOUR APVD 05SEP2001 D. BIEVENOUR		<b>BUCHANAN</b> Tyco Electronics Harrisburg, PA 17105-3608	
DIMENSIONS: mm		TOLERANCES UNLESS OTHERWISE SPECIFIED: 0 PLC ±- 1 PLC ±.3 2 PLC ±.25 3 PLC ±- 4 PLC ±- ANGLES ±2		PRODUCT SPEC 108-20166 APPLICATION SPEC 114-20079	
MATERIAL		FINISH		NAME TERMINAL BLOCK, PCB MOUNT, SIDE ENTRY WIRE, 10.0mm PITCH	
WEIGHT -		SIZE A3		CAGE CODE 00779	
CUSTOMER DRAWING		DRAWING NO C-282858		RESTRICTED TO -	
SCALE 3:1		SHEET 1 OF 1		REV E	