

**PLEASE CHECK WWW.MOLEX.COM FOR LATEST PART INFORMATION**

**Part Number:** [0351550503](#)  
**Status:** **Active**  
**Description:** 2.50mm (.098") Pitch Wire-to-Board Housing, Positive Lock, Yellow, 5 Circuits

**Documents:**

<a href="#">3D Model</a>	<a href="#">Product Specification PS-35155-002 (PDF)</a>
<a href="#">Drawing (PDF)</a>	<a href="#">Product Specification PS-68143-001 (PDF)</a>
<a href="#">Product Specification PS-35155-001 (PDF)</a>	<a href="#">RoHS Certificate of Compliance (PDF)</a>

**Agency Certification**

CSA	LR19980
TUV	R72081037
UL	E29179

**General**

Product Family	Crimp Housings
Series	<a href="#">35155</a>
Product Name	N/A

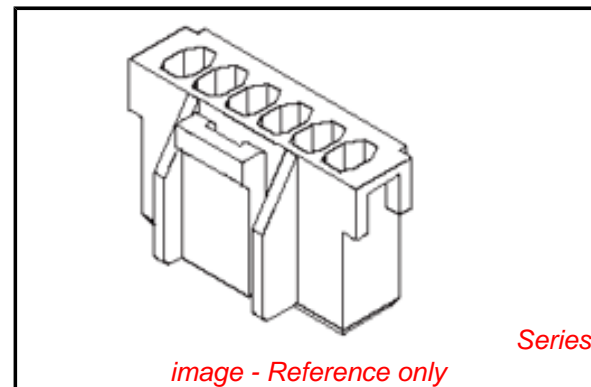
**Physical**

Breakaway	No
Circuits (maximum)	5
Flammability	94V-0
Gender	Female
Glow-Wire Compliant	No
Keying to Mating Part	None
Lock to Mating Part	Yes
Number of Rows	1
Packaging Type	Bag
Panel Mount	No
Pitch - Mating Interface (in)	0.098 In
Pitch - Mating Interface (mm)	2.50 mm
Temperature Range - Operating	-40°C to +105°C

**Material Info**

**Reference - Drawing Numbers**

Product Specification	PS-35155-001, PS-35155-002, PS-68143-001
Sales Drawing	SD-35155-**0*



**EU RoHS** **China RoHS**

**Compliance Status**

**Not Reviewed**

**REACH SVHC**

**Not Reviewed**

**Halogen-Free**

**Status**

**Not Reviewed**

**Need more information on product environmental compliance?**

Email [productcompliance@molex.com](mailto:productcompliance@molex.com)  
 For a multiple part number RoHS Certificate of Compliance, [click here](#)

Please visit the [Contact Us](#) section for any non-product compliance questions.

**Search Parts in this Series**

[35155Series](#)

**Mates With**

[35312](#) Vertical Shrouded Header, [35184](#) Wire-to-Wire Plug Housing

**Use With**

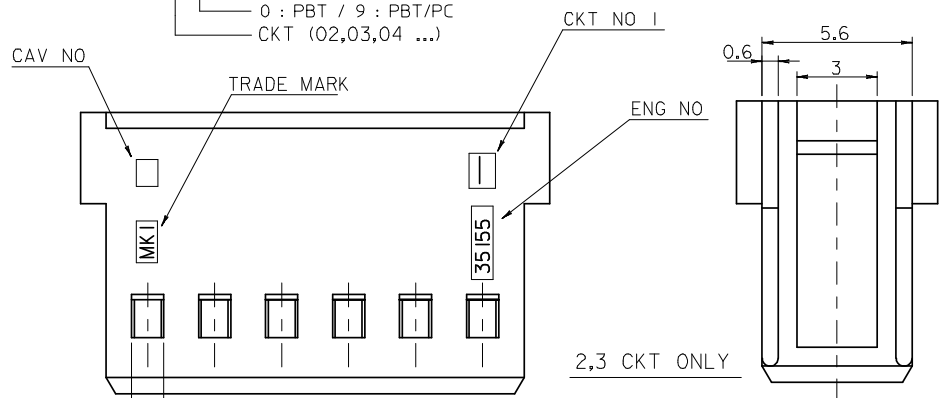
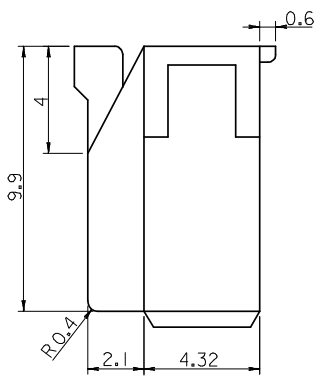
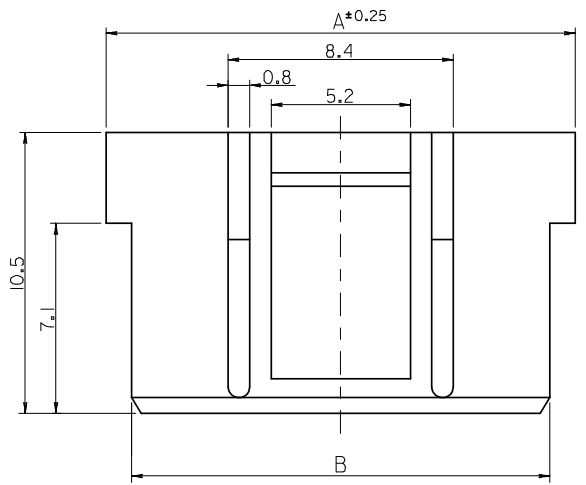
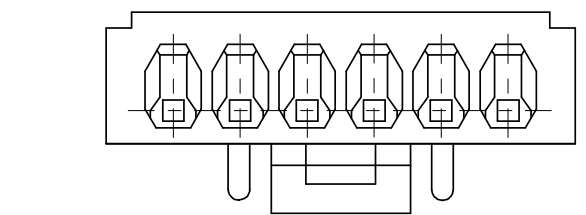
[5103](#) SPOX™ Crimp Terminal

NOTE

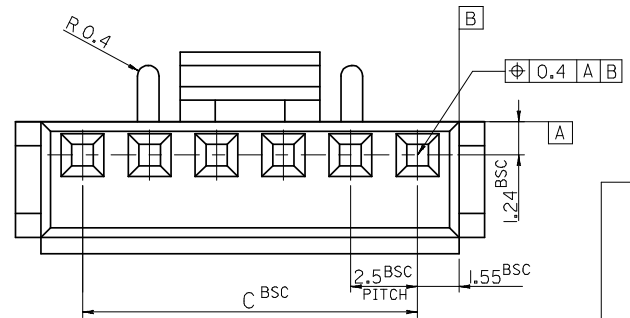
- 1. MATERIAL : SEE TABLE
- 2. USED WITH TERMINAL : 5103-\*
- 3. MATED WITH WAFER ASS'Y : 35312-\*\*\*1\*

LEGEND

35155 - \*\* \*  
 COLOR : 0 --- NATURAL  
 1 --- BLACK  
 2 --- RED  
 3 --- YELLOW  
 4 --- BLUE  
 0 : PBT / 9 : PBT/PC  
 CKT (02,03,04 ...)



35	38.1	40	35155151*	35155-15**	15
32.5	35.6	37.5	4 14**	4 -14**	14
30	33.1	35	13**	-13**	13
27.5	30.6	32.5	12**	-12**	12
25	28.1	30	11**	-11**	11
22.5	25.6	27.5	10**	-10**	10
20	23.1	25	09**	-09**	9
17.5	20.6	22.5	08**	-08**	8
15	18.1	20	07**	-07**	7
12.5	15.6	17.5	06**	-06**	6
10	13.1	15	05**	-05**	5
7.5	10.6	12.5	04**	-04**	4
5	8.1	10	03**	-03**	3
2.5	5.6	7.5	3515502**	35155-020*	2
C	B	A	MATERIAL NO.	ENG NO.	CKT.



REVISED	EC NO: KOR2008-0103	2007/12/24
DRWN: SKHAN01	2007/12/24	
CHKD: WY. YANG	2007/12/24	
APPR: YUNS IKK IM	2007/12/24	
REV	DESCRIPTION	

QUALITY SYMBOLS	GENERAL TOLERANCES (UNLESS SPECIFIED)
▽=0	4 PLACES ± --- ±---
▽=0	3 PLACES ± --- ±---
	2 PLACES ± --- ±---
	1 PLACE ± 0.1 ±---
	ANGULAR ± 1°
	DRAFT WHERE APPLICABLE MUST REMAIN WITHIN DIMENSIONS

DIMENSION STYLE	SCALE	DESIGN UNITS	THIRD ANGLE PROJECTION
IN/MM	5:1	METRIC	
DRAWN BY	DATE	TITLE	
SK. HAN	2007/12/13	2.5 PITCH W/B CONN. HOUSING	
CHECKED BY	DATE		
WY. YANG	2007/12/13		
APPROVED BY	DATE		
EH. JUNG	2007/12/13		
MATERIAL NO.	DOCUMENT NO.		
SEE TABLE	SD-35155-***0*		
SIZE	THIS DRAWING CONTAINS INFORMATION THAT IS PROPRIETARY TO MOLEX INCORPORATED AND SHOULD NOT BE USED WITHOUT WRITTEN PERMISSION		
A3			

MATERIAL NO.	ENG NO.	CKT.
35155151*	35155-15**	15
3515502**	35155-020*	2
MOLEX	MOLEX INCORPORATED	
	SHEET NO.	
	1 OF 1	