

PLEASE CHECK WWW.MOLEX.COM FOR LATEST PART INFORMATION

Part Number: [0472570001](#)
Status: **Active**
Description: 3.50mm (.138") Stereo Jack with switch, 4 Circuits

Documents:

[3D Model](#) [Product Specification PS-47257-001 \(PDF\)](#)
[Drawing \(PDF\)](#) [RoHS Certificate of Compliance \(PDF\)](#)

General

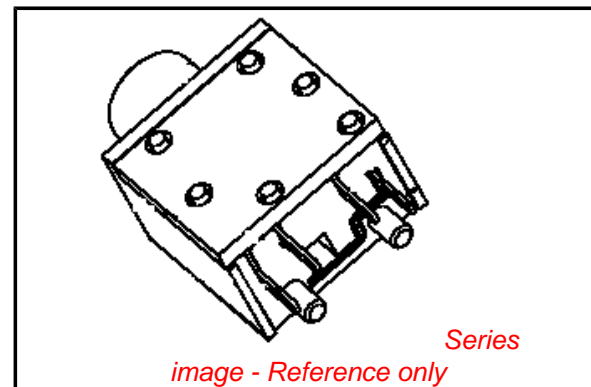
Product Family	I/O Connectors
Series	47257
Application	Wire-to-Board
Comments	Audio Jack
Component Type	Receptacle
Product Name	Audio/Phono Jack
Type	N/A

Physical

Boot Color	BLACK
Circuits (Loaded)	4
Circuits (maximum)	4
Gender	Female
Keying to Mating Part	None
Lock to Mating Part	No
Material - Plating Mating	Gold
Material - Plating Termination	Tin
Number of Rows	2
Orientation	Right Angle
PC Tail Length (in)	0.126 In
PC Tail Length (mm)	3.20 mm
PCB Locator	Yes
PCB Retention	None
PCB Thickness Recommended (in)	0.063 In
PCB Thickness Recommended (mm)	1.60 mm
Packaging Type	Tube
Panel Mount	No
Pitch - Mating Interface (in)	0.000 In
Pitch - Mating Interface (mm)	0.00 mm
Pitch - Term. Interface (in)	0.084 In, 0.175 In
Pitch - Term. Interface (mm)	2.15 mm, 4.45 mm
Plating min: Mating (µin)	30
Plating min: Mating (µm)	0.75
Plating min: Termination (µin)	80
Plating min: Termination (µm)	2
Polarized to Mating Part	Yes
Polarized to PCB	Yes
Ports	1
Surface Mount Compatible (SMC)	No
Temperature Range - Operating	-40°C to +85°C
Termination Interface: Style	Through Hole
Waterproof / Dustproof	No
Wire Size AWG	N/A

Electrical

Current - Maximum per Contact	1A
Grounding to Panel	Yes



EU RoHS

**ELV and RoHS
Compliant**
REACH SVHC
 Not Reviewed
**Halogen-Free
Status**

China RoHS



Not Reviewed
**Need more information on product
environmental compliance?**

Email productcompliance@molex.com
 For a multiple part number RoHS Certificate of
 Compliance, [click here](#)

Please visit the [Contact Us](#) section for any
 non-product compliance questions.

Search Parts in this Series

[47257Series](#)

Shielded	No
Voltage - Maximum	12V DC

Solder Process Data

Duration at Max. Process Temperature (seconds)	5
Lead-free Process Capability	Wave Capable (TH only)
Max. Cycles at Max. Process Temperature	1
Process Temperature max. C	260

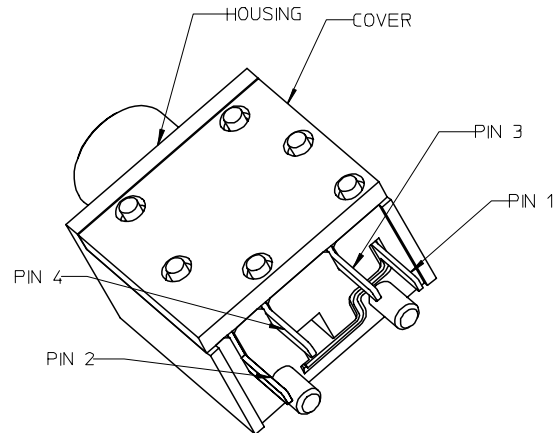
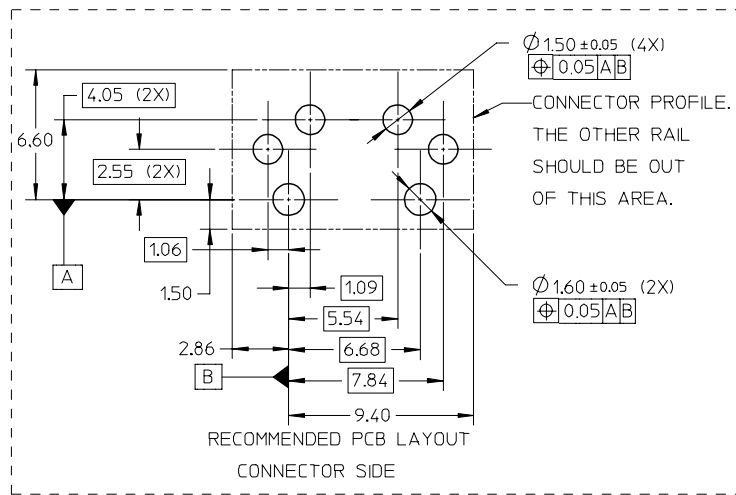
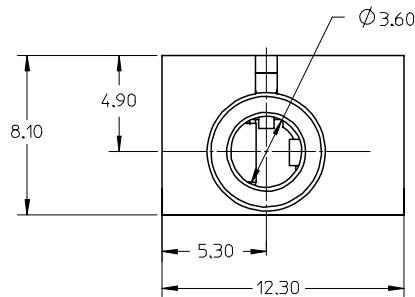
Material Info

Reference - Drawing Numbers

Product Specification	PS-47257-001
Sales Drawing	SD-47257-001

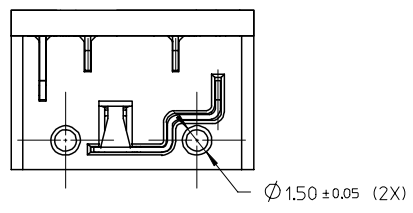
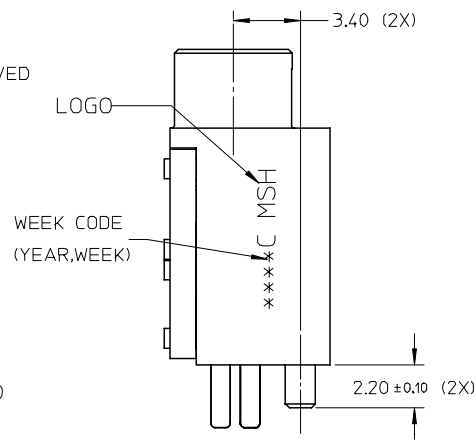
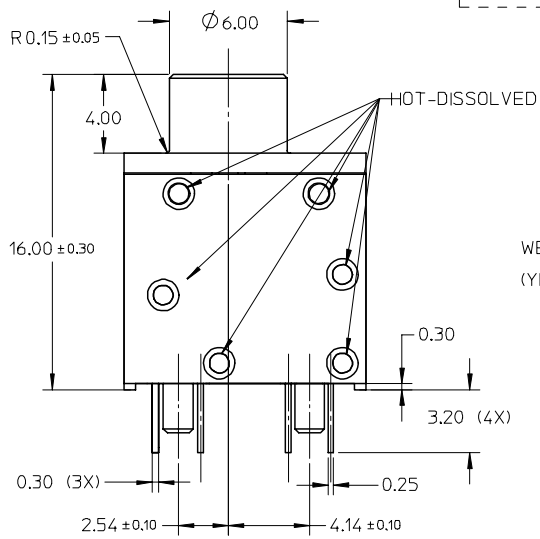
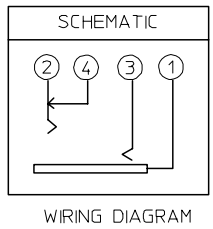
This document was generated on 04/21/2010

PLEASE CHECK WWW.MOLEX.COM FOR LATEST PART INFORMATION



NOTE:

- MATERIAL:
 - HOUSING & COVER: NYLON, GLASS FIBER FILLED, UL94V-0, COLOR: BLACK
 - TERMINAL: PIN 1 : PHOSPHOR BRONZE
 - PIN 2 : PHOSPHOR BRONZE
 - PIN 3 : PHOSPHOR BRONZE
 - PIN 4 : BRASS
- FINISH:
 - TERMINAL: CONTACT AREA: GOLD, THICKNESS=0.75 MICRON MIN. SOLDER TAIL: TIN, THICKNESS=2 MICRON MIN. UNDERPLATE: NICKEL, THICKNESS=2 MICRON MIN
- RECOMMENDED PCB THICKNESS: 1.60±0.05mm
- PRODUCT SPECIFICATION REFER TO PS-47257-001
- PACKAGING SPECIFICATION REFER TO PK-47257-001



NEW RELEASE EC NO: SH2005-0328 DRWN: MZCHEN CHKD: GRMA APPR: GCHEN	2005/09/12 2005/09/13 2005/09/14	DESCRIPTION ***C MSH WEEK CODE (YEAR, WEEK)	QUALITY SYMBOLS	GENERAL TOLERANCES (UNLESS SPECIFIED)	DIMENSION STYLE	SCALE	DESIGN UNITS	THIRD ANGLE PROJECTION
			$\nabla = 0$ $\triangle = 0$	mm INCH	MM ONLY	1:1	METRIC	
			4 PLACES ± --- ± --- 3 PLACES ± --- ± --- 2 PLACES ± 0.25 ± --- 1 PLACE ± 0.25 ± ---	DRAWN BY: MZCHEN CHECKED BY: GRMA APPROVED BY: YTYAP	DATE: 2005/04/26 DATE: 2005/05/30 DATE: 2005/05/30	TITLE: 3.5MM STEREO JACK 4 POSITION SLIM DESIGN WITH SWITCH		
			DRAFT WHERE APPLICABLE MUST REMAIN WITHIN DIMENSIONS	MATERIAL NO. 47257-0001 SIZE A3	DOCUMENT NO. SD-47257-001	MOLEX INCORPORATED		SHEET NO. 1 OF 1