

**PLEASE CHECK WWW.MOLEX.COM FOR LATEST PART INFORMATION**

**Part Number:** [0877591876](#)  
**Status:** **Active**  
**Overview:** milligrid  
**Description:** 2.00mm (.079") Pitch Milli-Grid™ Header, Surface Mount, Vertical, 18 Circuits, 0.38µm (15µ") Gold (Au) Selective Plating, with Press-fit Plastic Pegs, Pick-and-Place Cap, Tube Packaging, Lead-free

**Documents:**

[3D Model](#) [Product Specification PS-87761-100 \(PDF\)](#)  
[Drawing \(PDF\)](#) [RoHS Certificate of Compliance \(PDF\)](#)

**Agency Certification**

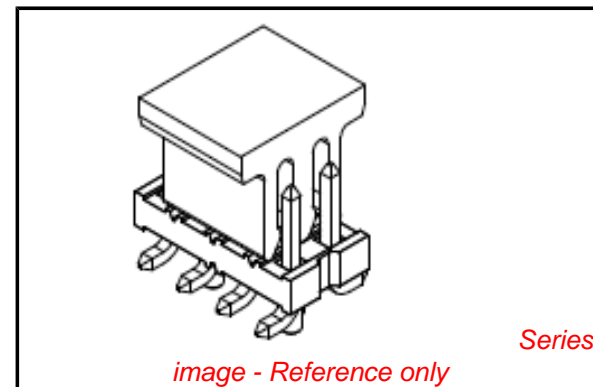
UL E29179

**General**

Product Family PCB Headers  
 Series [87759](#)  
 Application Board-to-Board  
 Overview [milligrid](#)  
 Product Name Milli-Grid™

**Physical**

Breakaway Yes  
 Circuits (Loaded) 18  
 Circuits (maximum) 18  
 Color - Resin Black  
 Durability (mating cycles max) 100  
 First Mate / Last Break No  
 Flammability 94V-0  
 Glow-Wire Compliant No  
 Guide to Mating Part No  
 Keying to Mating Part None  
 Lock to Mating Part None  
 Mated Height (in) 0.150 In  
 Mated Height (mm) 3.80 mm  
 Material - Metal Phosphor Bronze  
 Material - Plating Mating Gold  
 Material - Plating Termination Tin  
 Material - Resin Nylon  
 Number of Rows 2  
 Orientation Vertical  
 PCB Locator Yes  
 PCB Retention None  
 Packaging Type Tube  
 Pitch - Mating Interface (in) 0.079 In  
 Pitch - Mating Interface (mm) 2.00 mm  
 Pitch - Term. Interface (in) 0.079 In  
 Pitch - Term. Interface (mm) 2.00 mm  
 Plating min: Mating (µin) 15  
 Plating min: Mating (µm) 0.38  
 Polarized to Mating Part No  
 Polarized to PCB No  
 Robotic Placement Pick and Place Cap  
 Shrouded No  
 Stackable Yes  
 Temperature Range - Operating -55°C to +105°C



**EU RoHS**

**ELV and RoHS Compliant**  
**REACH SVHC Contains SVHC: No**  
**Halogen-Free Status**  
**Not Reviewed**

**China RoHS**



**Need more information on product environmental compliance?**

Email [productcompliance@molex.com](mailto:productcompliance@molex.com)  
 For a multiple part number RoHS Certificate of Compliance, [click here](#)

Please visit the [Contact Us](#) section for any non-product compliance questions.

**Search Parts in this Series**

[87759Series](#)

**Mates With**

[79107](#) Milli-Grid™ Receptacle, Vertical, Through Hole. [79108](#) Milli-Grid™ Flex-to-Board, Vertical Receptacle. Milli-Grid™ Receptacle, Surface Mount. [79109](#). [87381](#)

Termination Interface: Style Surface Mount

**Electrical**

Current - Maximum per Contact 2A  
Voltage - Maximum 125V

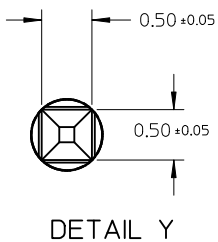
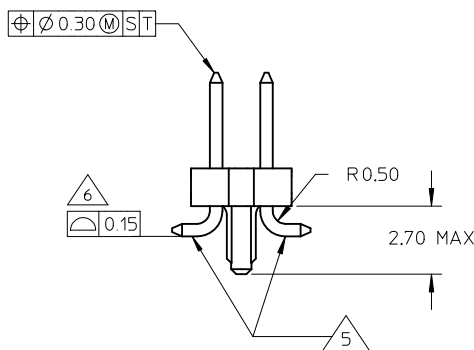
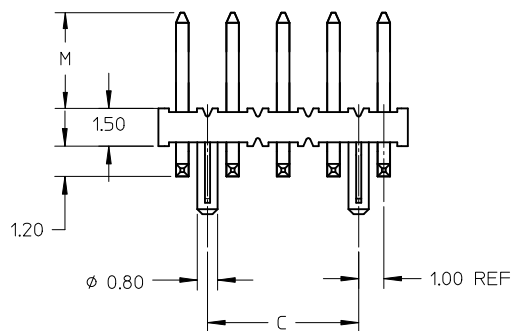
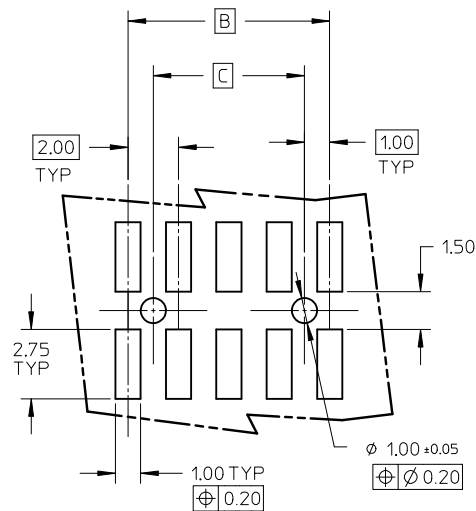
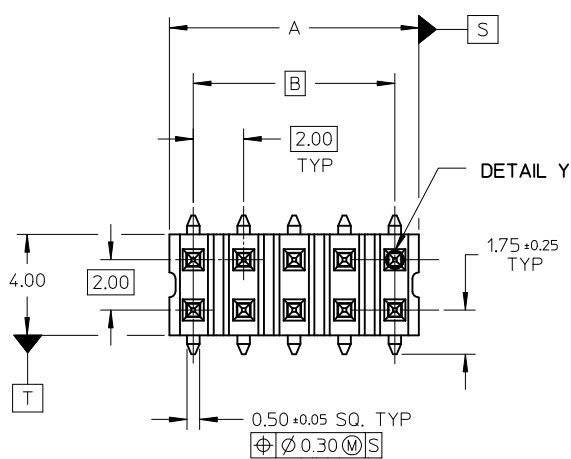
**Material Info**

**Reference - Drawing Numbers**

Packaging Specification PK-89990-476  
Product Specification PS-87761-100  
Sales Drawing SD-87759-208

This document was generated on 05/25/2010

**PLEASE CHECK [WWW.MOLEX.COM](http://WWW.MOLEX.COM) FOR LATEST PART INFORMATION**



NOTE:

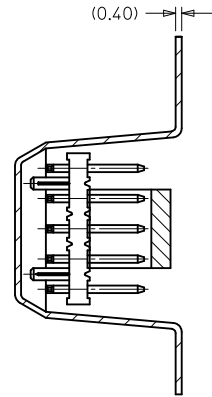
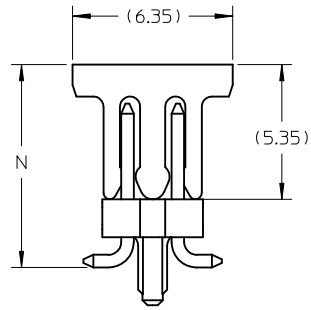
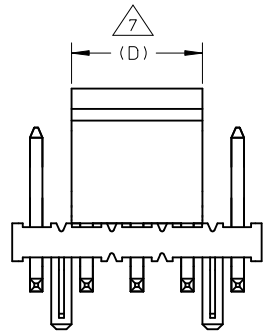
1. MATERIAL:  
HSG & CAP - NYLON, GLASS-FILLED,  
UL 94V-0, COLOUR BLACK  
  
PIN - 0.50 SQ PHOSPHOR BRONZE
2. PLATING:  
0.38um MIN GOLD PLATE AT CONTACT AREA,  
TIN PLATE AT SOLDER AREA,  
BOTH OVER NICKEL UNDERPLATE
3. PIN PUSHOUT FORCE: 1KG MIN IN EITHER DIRECTION
4. PRODUCT SPEC PS-87761-100 APPLIES.
5. BEND DEPRESSION IS ACCEPTABLE SO LONG AS IT DOES NOT AFFECT THE OVERALL COPLANARITY OF TAIL.
6. COPLANARITY IS TO BE MEASURED BY RESTING THE SOLDER TAIL ON A GAUGE SURFACE.
7. CAP TO BE LOCATED AS CENTRAL OF PART AS POSSIBLE TOP SURFACE OF CAP TO BE FLAT FOR THE PURPOSE OF PICK & PLACE BY VACUUM SUCTION NOZZLE.
8. FOR ILLUSTRATION PURPOSES, 10CKT IS SHOWN (WITH TAPE & REEL ON 2ND SHEET). SHT 3 INDICATES THE TYPE OF EMBOSSED USED IN GENERAL.
9. TUBE LENGTH IS 560MM REF STANDARD.
10. RECOMMENDED PCB BOARD THK IS 1.60±0.10 MM.

CHG DIM M. EWR#1191 EC NO: S2010-0237 DRW:WATSEE 2009/12/16 CHK:D:SKANG 2009/12/17 APPR:MLONG 2009/12/21	DESCRIPTION D3	QUALITY SYMBOLS	GENERAL TOLERANCES (UNLESS SPECIFIED)	DIMENSION STYLE MM ONLY	SCALE NTS	DESIGN UNITS METRIC	THIRD ANGLE PROJECTION		
		$F_A=0$ $F_C=0$ $F_P=0$	mm      INCH 4 PLACES ± --- ± --- 3 PLACES ± --- ± --- 2 PLACES ± 0.2 ± --- 1 PLACE ± --- ± ---	DRAWN BY: KSEE      DATE: 2003/12/22 CHECKED BY:      DATE:      2004/01/12 APPROVED BY:      DATE: 2009/12/17	TITLE	CUSTOM HEADER MGRID, 2MM DUAL ROW HDR WITH PEG, SMT  MOLEX INCORPORATED			
		ANGULAR ± 3 °	DRAFT WHERE APPLICABLE MUST REMAIN WITHIN DIMENSIONS	MATERIAL NO.      DOCUMENT NO. SEE TABLE      SD-87759-208	SHEET NO. 1 OF 4				
				SIZE A3	THIS DRAWING CONTAINS INFORMATION THAT IS PROPRIETARY TO MOLEX INCORPORATED AND SHOULD NOT BE USED WITHOUT WRITTEN PERMISSION				

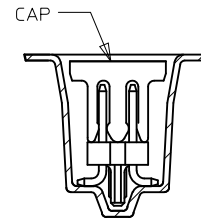
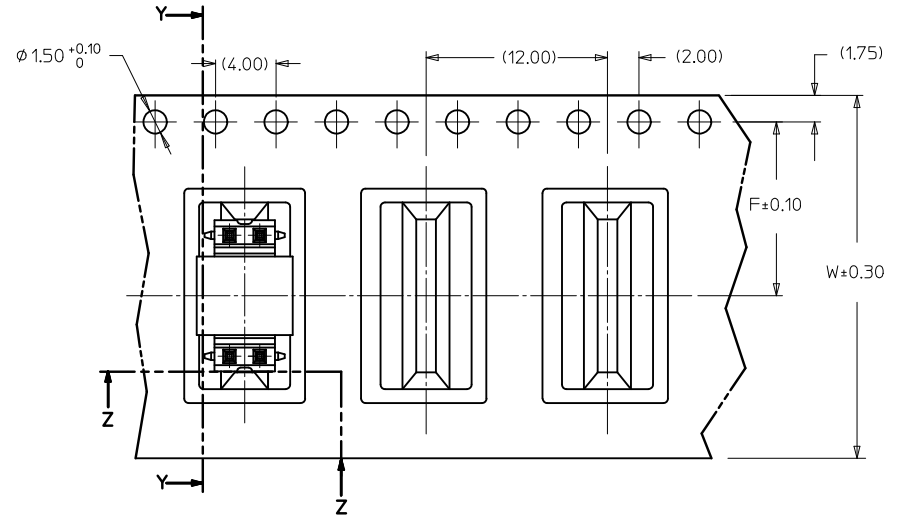
CAP TYPE	D
C1	5.20
C2	4.60

EMBOSSED TYPE "A"

PART WITH CAP IN TAPE & REEL ORIENTATION

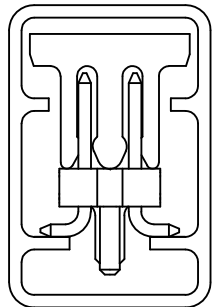
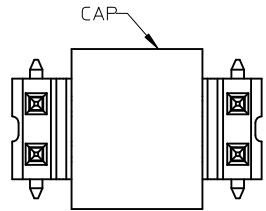


SECTION Y-Y



SECTION Z-Z

CUSTOMER PULL OUT DIRECTION

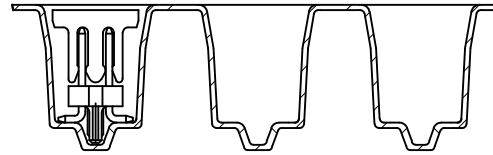
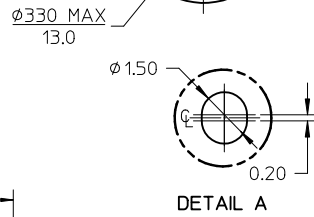
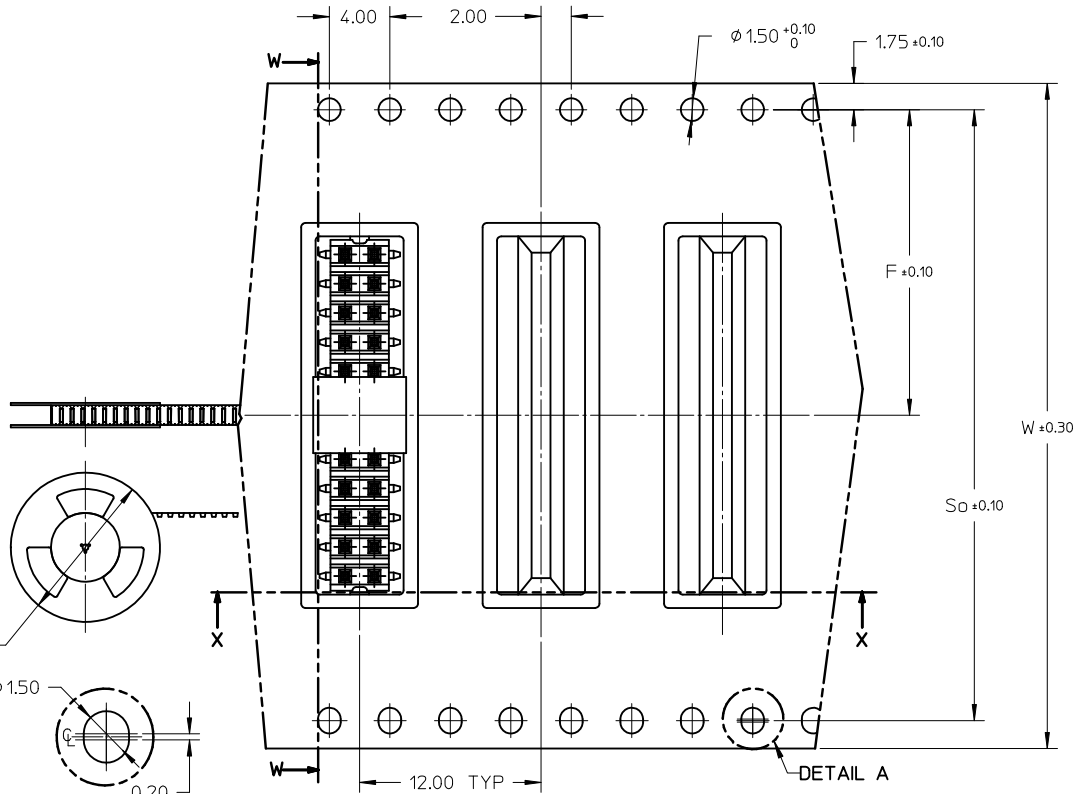
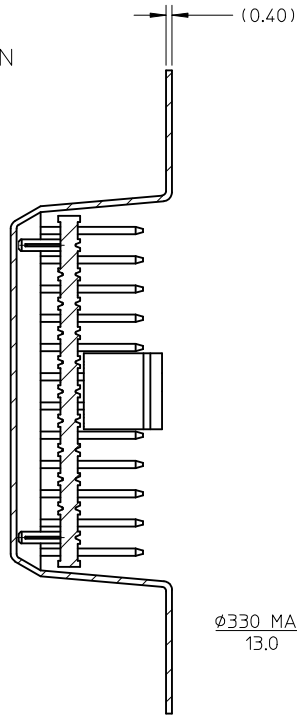


PART WITH CAP IN TUBE ORIENTATION

CHG DIM M. EWR#1191 EC NO: S2010-0237 DRWN:ATSEE 2009/12/16 CHKD:SKANG 2009/12/17 APPR:MLONG 2009/12/21	DESCRIPTION REV	QUALITY SYMBOLS	GENERAL TOLERANCES (UNLESS SPECIFIED)	DIMENSION STYLE	SCALE	DESIGN UNITS	THIRD ANGLE PROJECTION															
		$\nabla_A = 0$ $\nabla_B = 0$ $\nabla_C = 0$	<table border="1"> <tr> <td></td> <td>mm</td> <td>INCH</td> </tr> <tr> <td>4 PLACES</td> <td><math>\pm</math> ---</td> <td><math>\pm</math> ---</td> </tr> <tr> <td>3 PLACES</td> <td><math>\pm</math> ---</td> <td><math>\pm</math> ---</td> </tr> <tr> <td>2 PLACES</td> <td><math>\pm 0.2</math></td> <td><math>\pm</math> ---</td> </tr> <tr> <td>1 PLACE</td> <td><math>\pm</math> ---</td> <td><math>\pm</math> ---</td> </tr> </table>		mm	INCH	4 PLACES	$\pm$ ---	$\pm$ ---	3 PLACES	$\pm$ ---	$\pm$ ---	2 PLACES	$\pm 0.2$	$\pm$ ---	1 PLACE	$\pm$ ---	$\pm$ ---	MM ONLY	NTS	METRIC	
			mm	INCH																		
		4 PLACES	$\pm$ ---	$\pm$ ---																		
3 PLACES	$\pm$ ---	$\pm$ ---																				
2 PLACES	$\pm 0.2$	$\pm$ ---																				
1 PLACE	$\pm$ ---	$\pm$ ---																				
DRAWN BY: KSEE CHECKED BY: KCL ING APPROVED BY: MLONG	DATE: 2003/12/22 DATE: 2004/01/12 DATE: 2009/12/17	TITLE																				
D3		DRAFT WHERE APPLICABLE MUST REMAIN WITHIN DIMENSIONS	SEE TABLE	MATERIAL NO. SD-87759-208	DOCUMENT NO. SD-87759-208	SHEET NO. 2 OF 4																

EMBOSSED TYPE "B"

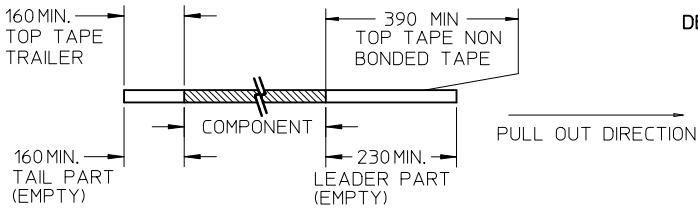
PART WITH CAP IN  
TAPE & REEL ORIENTATION



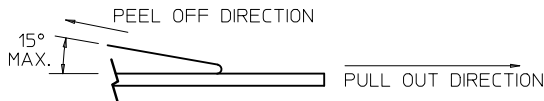
CUSTOMER PULL OUT  
DIRECTION

NOTES:

1. LEADER AND TRAILER TAPE



2. PEELING OFF FORCE OF THE TOP TAPE: 20-80gf.  
(PEELING DIRECTION AS SHOWN IN FOLLOWING FIGURE)



- 3. TAPE AND REEL SPECIFICATION IS AS PER EIA-481.
- 4. TAPE AND REEL QUANTITY : 500 PCS/ REEL.
- 5. THE TAPE IS TREATED FOR ANTI-STATIC.

CHG DIM M. EWR#1191	DESCRIPTION
EC NO: S2010-0237	DRW:WATSEE
2009/12/16	CHKD:SKANG
2009/12/17	APPR:MLONG
2009/12/21	
D3	REV

QUALITY SYMBOLS
$F_A=0$
$F_C=0$
$F_P=0$

GENERAL TOLERANCES (UNLESS SPECIFIED)	
mm	INCH
4 PLACES ± ---	± ---
3 PLACES ± ---	± ---
2 PLACES ± 0.2	± ---
1 PLACE ± ---	± ---
ANGULAR ± 3 °	
DRAFT WHERE APPLICABLE MUST REMAIN WITHIN DIMENSIONS	

DIMENSION STYLE	
MM ONLY	
DRAWN BY	DATE
KSEE	2003/12/22
CHECKED BY	DATE
KCL ING	2004/01/12
APPROVED BY	DATE
MLONG	2009/12/17
MATERIAL NO.	
SEE TABLE	
SIZE	A3

SCALE	NTS	DESIGN UNITS	METRIC	THIRD ANGLE PROJECTION
TITLE				
CUSTOM HEADER MGRID, 2MM DUAL ROW HDR WITH PEG, SMT				
MOLEX INCORPORATED			DOCUMENT NO.	SHEET NO.
SD-87759-208				3 OF 4
THIS DRAWING CONTAINS INFORMATION THAT IS PROPRIETARY TO MOLEX INCORPORATED AND SHOULD NOT BE USED WITHOUT WRITTEN PERMISSION				

