



Powerex, Inc., 200 Hillis Street, Youngwood, Pennsylvania 15697-1800 (412) 925-7272

Short Form Data Selector Guide

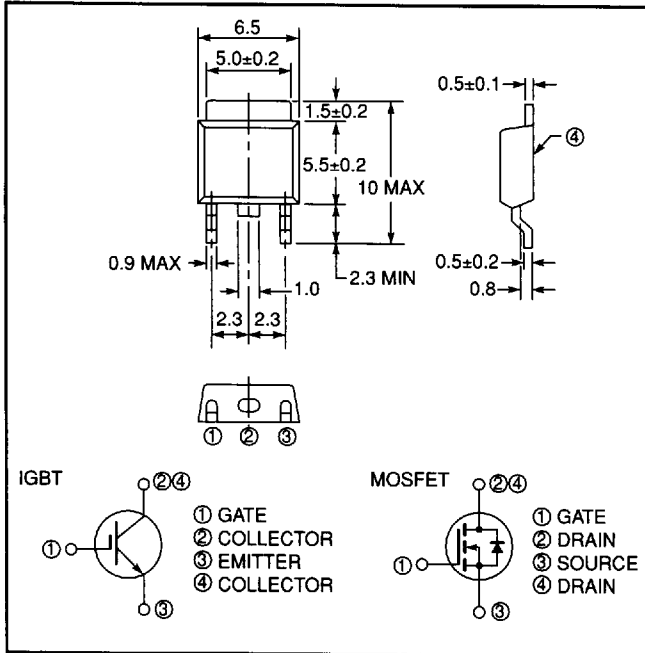
Discrete MOSFET - Low Voltage Trench Gate 4.0V Driver Voltage n-channel MOSFETs

Device Number	Maximum Ratings, $T_c = 25^\circ\text{C}$				Electrical Characteristics				Package	
	V_{DSS} (V)	I_D (A)	P_D (W)	V_{GS} (V)	$r_{DS(on)}$ (m Ω)		$V_{GS(th)}$ (V)	C_{iss} (pF)	Outline	Page
					Typ.	Max.				
FS10ASJ-03	30	10	20	± 20	58	75	1.5	360	MP-3	31
FS10UMJ-03	30	10	20	± 20	58	75	1.5	360	TO-220	31
FS10VSJ-03	30	10	20	± 20	58	75	1.5	360	TO-220S	31
FS10KMJ-03	30	10	15	± 20	58	75	1.5	360	TO-220FN	31
FS30ASJ-03	30	30	30	± 20	29	38	1.5	800	MP-3	31
FS30UMJ-03	30	30	30	± 20	29	38	1.5	800	TO-220	31
FS30VSJ-03	30	30	30	± 20	29	38	1.5	800	TO-220S	31
FS30KMJ-03	30	30	20	± 20	29	38	1.5	800	TO-220FN	31
FS30SMJ-03	30	30	30	± 20	29	38	1.5	800	TO-3P	32
FS50ASJ-03	30	50	35	± 20	15	19	1.5	1600	MP-3	31
FS50UMJ-03	30	50	45	± 20	15	19	1.5	1600	TO-220	31
FS50VSJ-03	30	50	45	± 20	15	19	1.5	1600	TO-220S	31
FS50KMJ-03	30	50	25	± 20	15	19	1.5	1600	TO-220FN	31
FS50SMJ-03	30	50	45	± 20	15	19	1.5	1600	TO-3P	32
FS70UMJ-03	30	70	70	± 20	10	12	1.5	2850	TO-220	31
FS70VSJ-03	30	70	70	± 20	10	12	1.5	2850	TO-220S	31
FS70KMJ-03	30	70	30	± 20	10	12	1.5	2850	TO-220FN	31
FS70SMJ-03	30	70	70	± 20	10	12	1.5	2850	TO-3P	32
FS100UMJ-03	30	100	125	± 20	3.5	4.7	1.5	8000	TO-220	31
FS100VSJ-03	30	100	125	± 20	3.5	4.7	1.5	8000	TO-220S	31
FS100KMJ-03	30	100	35	± 20	3.5	4.7	1.5	8000	TO-220FN	31
FS100SMJ-03	30	100	150	± 20	3.5	4.7	1.5	8000	TO-3P	32
FS5ASJ-06	60	5	20	± 20	110	140	1.5	360	MP-3	31
FS5UMJ-06	60	5	20	± 20	110	140	1.5	360	TO-220	31
FS5VSJ-06	60	5	20	± 20	110	140	1.5	360	TO-220S	31
FS5KMJ-06	60	5	15	± 20	110	140	1.5	360	TO-220FN	31
FS10ASJ-06	60	10	30	± 20	53	70	1.5	800	MP-3	31
FS10UMJ-06	60	10	30	± 20	53	70	1.5	800	TO-220	31
FS10VSJ-06	60	10	30	± 20	53	70	1.5	800	TO-220S	31
FS10KMJ-06	60	10	20	± 20	53	70	1.5	800	TO-220FN	31
FS10SMJ-06	60	10	30	± 20	53	70	1.5	800	TO-3P	32
FS30ASJ-06	60	30	35	± 20	25	30	1.5	1800	MP-3	31
FS30UMJ-06	60	30	45	± 20	25	30	1.5	1800	TO-220	31
FS30VSJ-06	60	30	45	± 20	25	30	1.5	1800	TO-220S	31
FS30KMJ-06	60	30	25	± 20	25	30	1.5	1800	TO-220FN	31
FS30SMJ-06	60	30	45	± 20	25	30	1.5	1800	TO-3P	32
FS50UMJ-06	60	50	70	± 20	15	20	1.5	3000	TO-220	31
FS50VSJ-06	60	50	70	± 20	15	20	1.5	3000	TO-220S	31
FS50KMJ-06	60	50	30	± 20	15	20	1.5	3000	TO-220FN	31
FS50SMJ-06	60	50	70	± 20	15	20	1.5	3000	TO-3P	32
FS70UMJ-06	60	70	125	± 20	5	7	1.5	8400	TO-220	31
FS70VSJ-06	60	70	125	± 20	5	7	1.5	8400	TO-220S	31
FS70KMJ-06	60	70	35	± 20	5	7	1.5	8400	TO-220FN	31
FS70SMJ-06	60	70	150	± 20	5	7	1.5	8400	TO-3P	32

$r_{DS(on)}$ (m Ω) - shows maximum value of on-resistance at $V_{GS} = 10V$

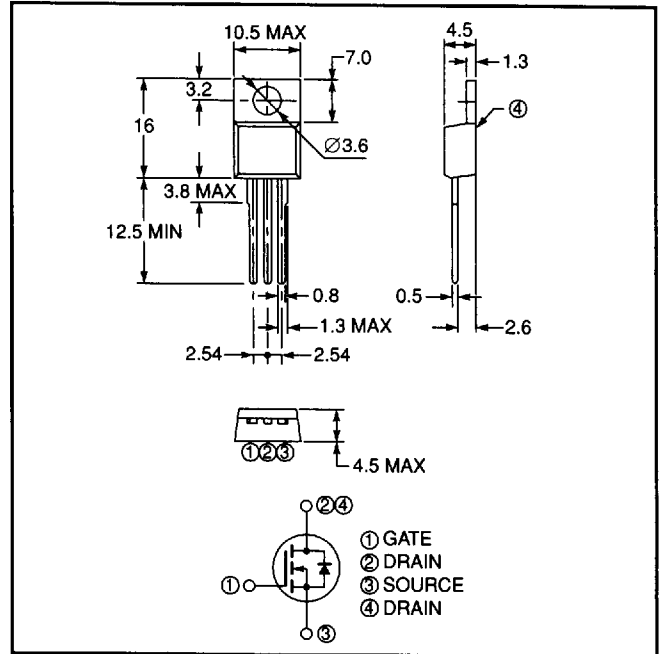
Device Outline Drawings

MP-3



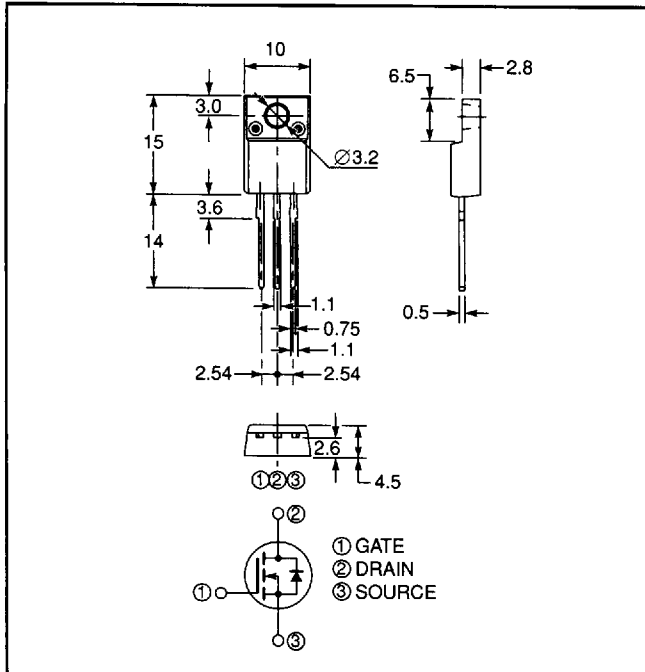
IGBT CT**AS-8
 MOSFET FS**AS-8

TO-220



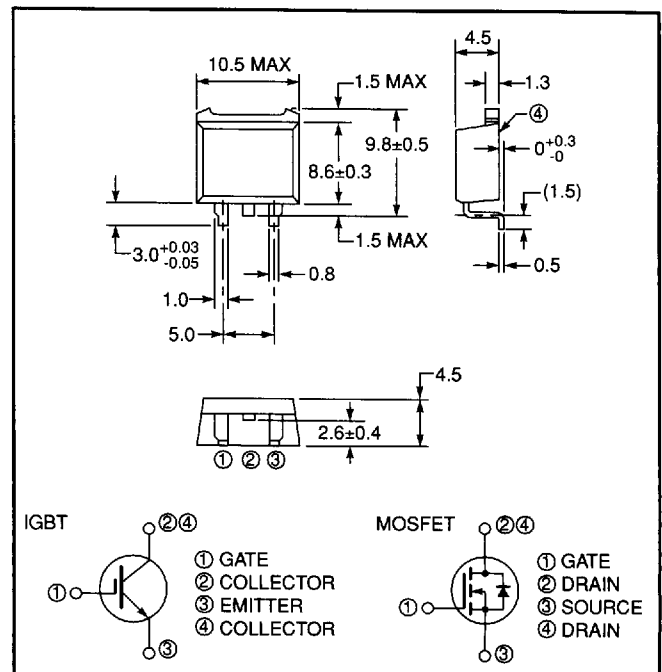
MOSFET FK**UM-**, FS**UM-**

TO-220FN



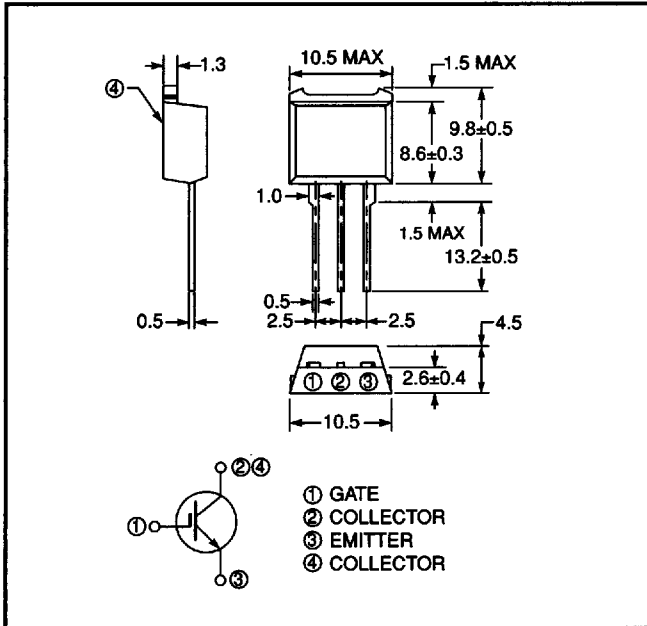
MOSFET FK**KM-**, FS**KM-**

TO-220S



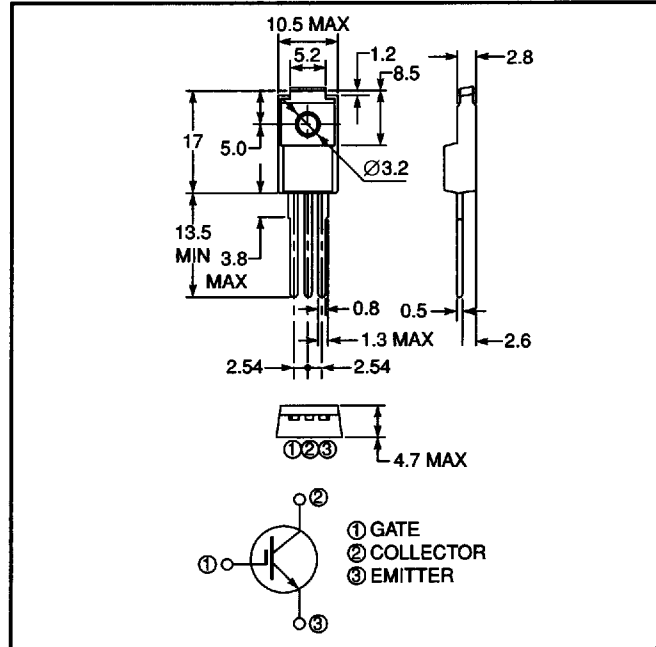
IGBT CT**VS-8
 MOSFET FK**VS-**, FS**VS-**

TO-220C



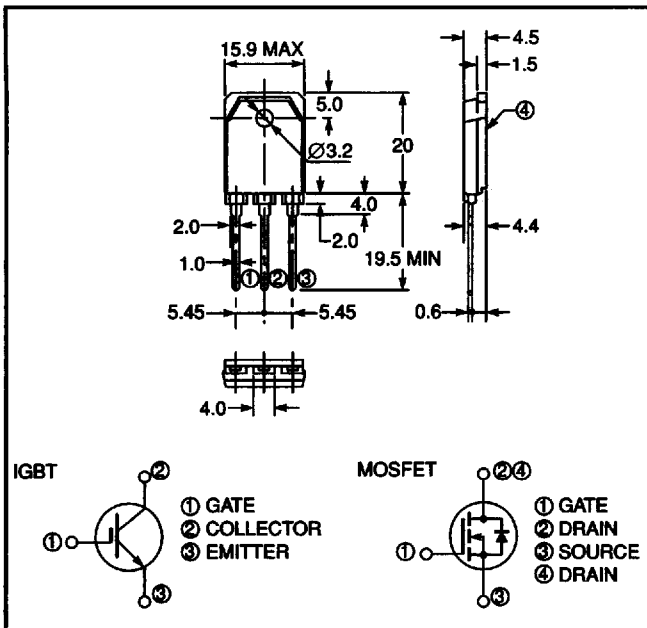
IGBT CT**VM-8

TO-220F



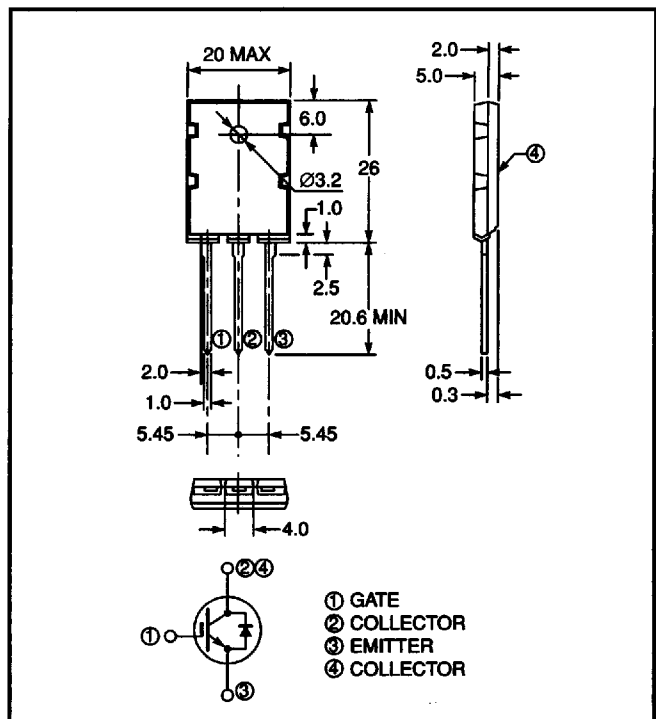
IGBT CT**TM-**

TO-3P



IGBT CT**SM-8
 MOSFET FK**SM-**, FS**SM-**

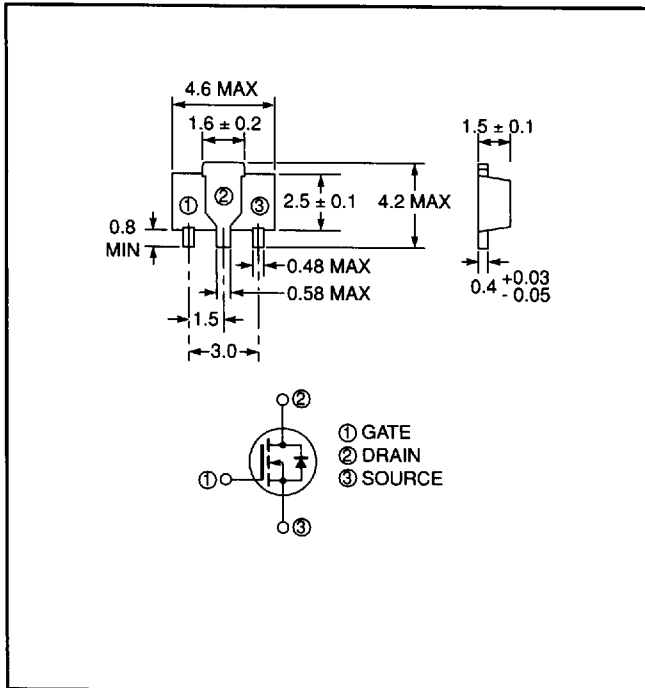
TO-3PL



IGBT CT**AM-**

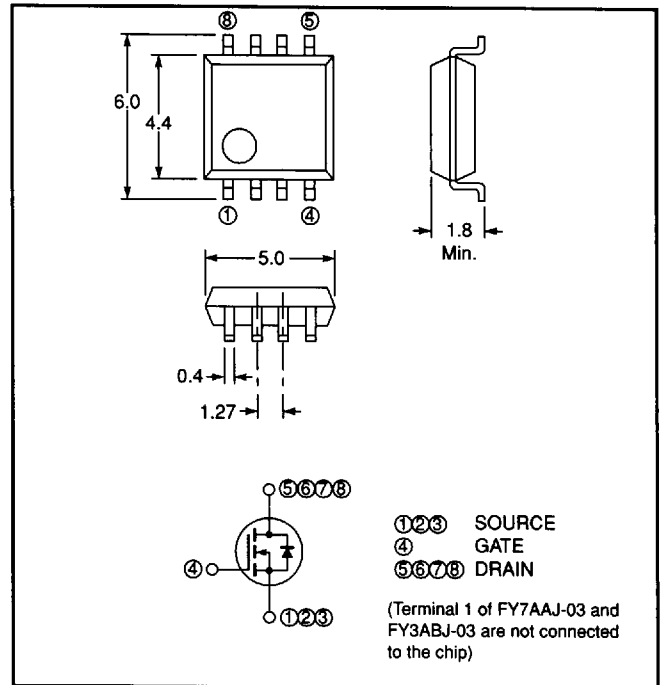
Device Outline Drawings

SOT-89



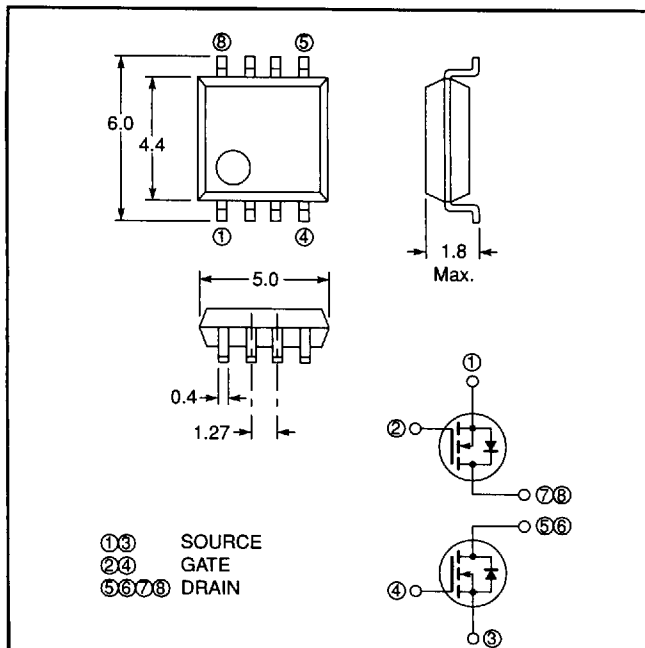
MOSFET FS**, FX**

SOP-8 (Single)



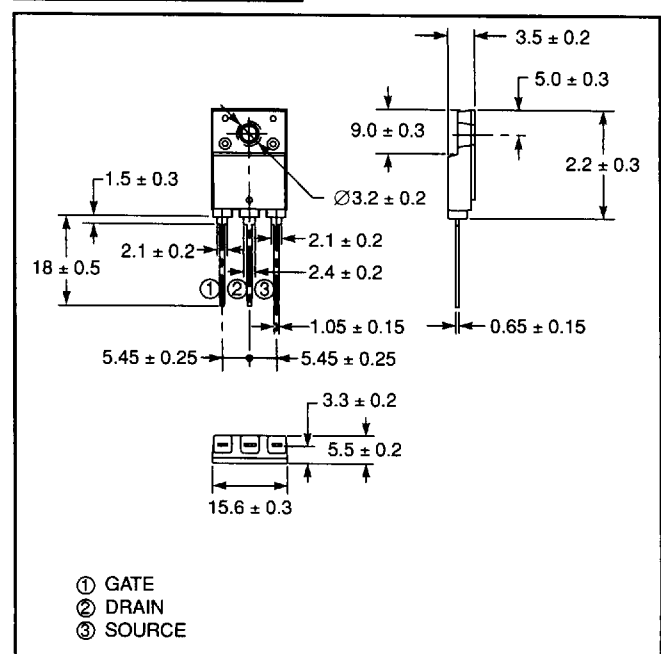
MOSFET FY**

SOP-8 (Dual)



MOSFET FY**

TO-3PF



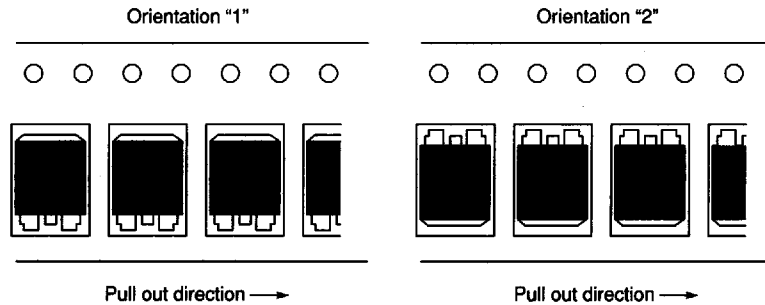
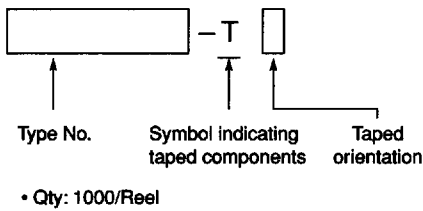
MOSFET FS**RM-**

MOSFET Packing Quantities and Types

Package	Outline Code	Packing	Minimum Quantity per Package
TO-220	UM	Bag	100
TO-220FN	KM	Tube	50
TO-220S	VS	Bag	100
TO-220S	VS	Reel	1000
TO-3P	SM	Bag	20
MP-3	AS	Bag	500
MP-3	AS	Reel	3000
SOP-8	FY	Reel	3000

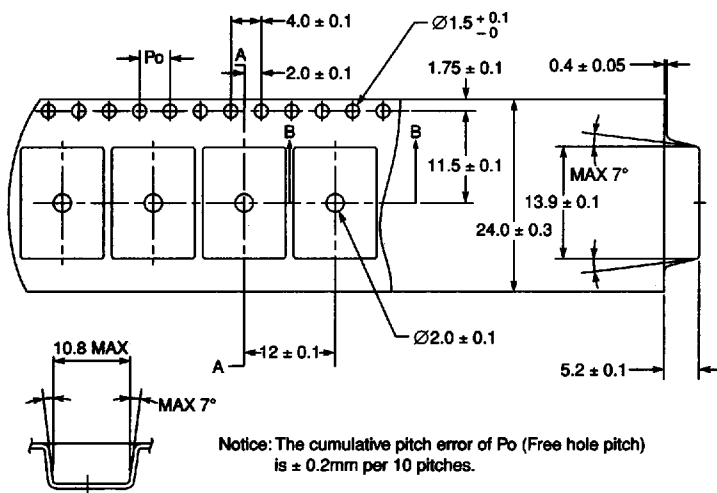
TO-220S Taping

(a) Marking

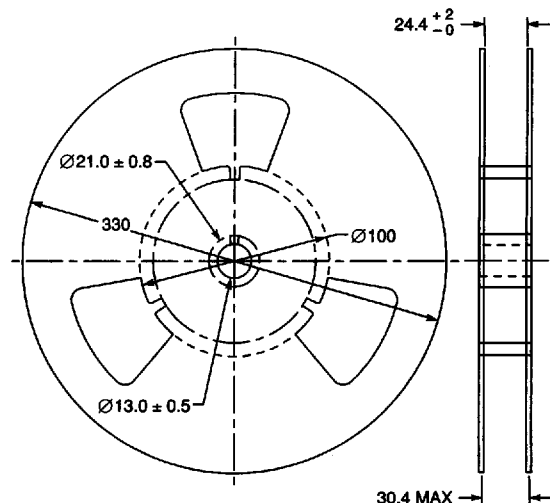


(b) Taping

• Tape Shape and Dimensions

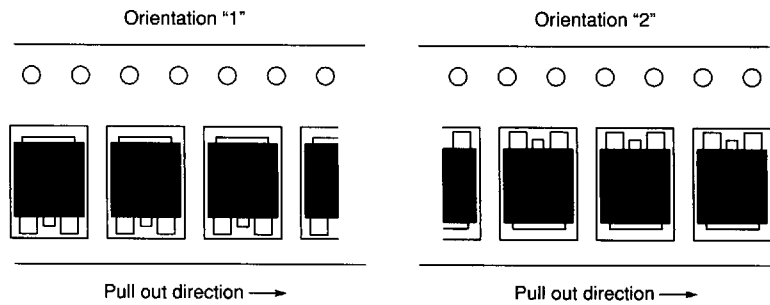
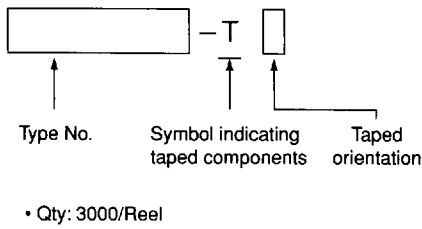


• Reel Shape and Dimensions



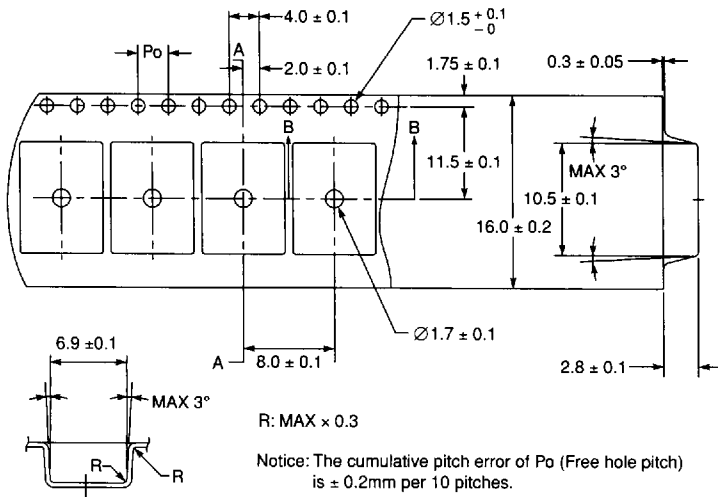
MP-3 Taping

(a) Marking



(b) Taping

• Tape Shape and Dimensions



• Reel Shape and Dimensions

