



GPJ25A~GPJ25M

SINGLE-PHASE BRIDGE RECTIFIER

VOLTAGE 50 to 1000 Volts **CURRENT** 25 Ampere

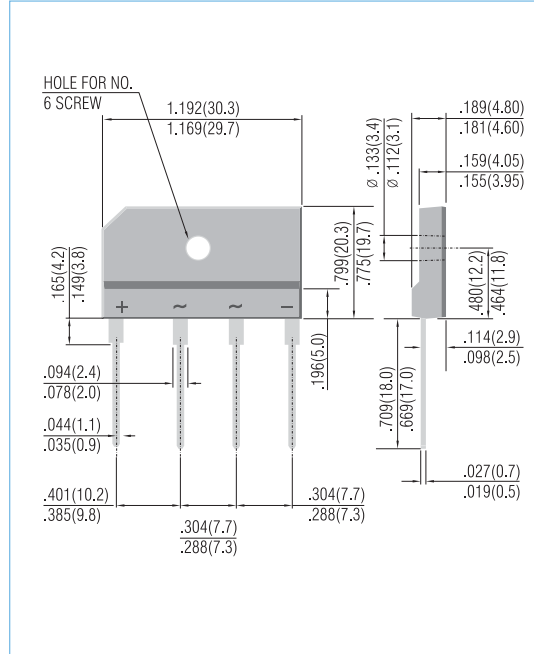
KBJ Unit: inch (mm)

FEATURES

- Diffused Junction
- Low Forward Voltage Drop
- High Current Capability
- High Reliability
- High Surge Current Capability
- Ideal for Printed Circuit Boards
- Pb free product are available : 99% Sn above can meet RoHS environment substance directive request

MECHANICAL DATA

Case: Molded plastic body
 Terminals: Plated Leads Solderable per MIL-STD-750, Method 2026
 Polarity: As Marked on Body
 Weight: 7.056 grams (approx.)
 Mounting Position: Any



MAXIMUM RATINGS AND ELECTRICAL CHARACTERISTICS

Single Phase, half wave, 60Hz, resistive or inductive load.
 For Capacitive load derate current by 20%.

PARAMETER	SYMBOL	GPJ25A	GPJ25B	GPJ25D	GPJ25G	GPJ25J	GPJ25K	GPJ25M	UNITS
Maximum Recurrent Peak Reverse Voltage	V_{RRM}	50	100	200	400	600	800	1000	V
Maximum RMS Bridge Input Voltage	V_{RMS}	35	70	140	280	420	560	700	V
Maximum DC Blocking Voltage	V_{DC}	50	100	200	400	600	800	1000	V
Average Rectified Output Current at $T_C=100^\circ C$	$I_{F(AV)}$	25							A
I^2t Rating for fusing ($t < 8.3ms$)	I^2t	500							A^2sec
Peak Forward Surge Current single sine-wave superimposed on rated load (JEDEC method)	I_{FSM}	350							A
Maximum Instantaneous Forward Voltage Drop per element at 12.5A	V_F	1.1							V
Maximum Reverse Leakage Current at Rated @ $T_A=25^\circ C$ Dc Blocking Voltage @ $T_C=100^\circ C$	I_R	10 500							μA
Typical Thermal Resistance per leg (Note 1)	$R_{\theta JC}$	0.6							$^\circ C/W$
Operating Junction and Storage Temperature Range	T_{J}, T_{STG}	-55 to + 150							$^\circ C$

NOTES:

1. Device mounted on 220 x 220 x 1.6mm thick AL plate heatsink.



GPJ25A~GPJ25M

RATING AND CHARACTERISTIC CURVES

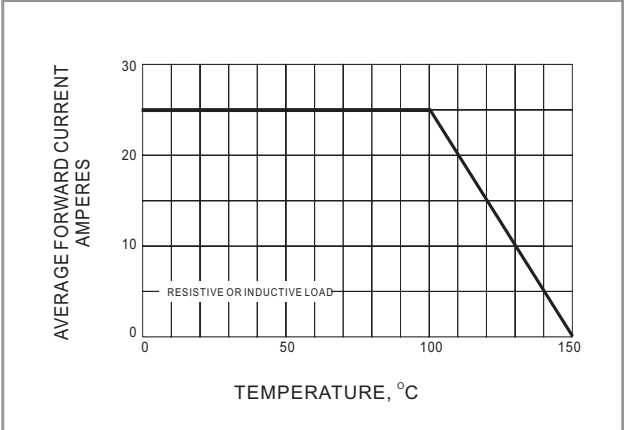


Fig. 1 - FORWARD CURRENT DERATING CURVE

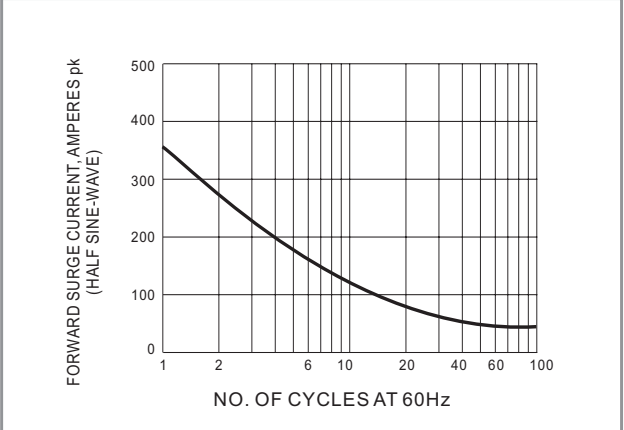


Fig. 2 - MAXIMUM NON-REPETITIVE SURGE CURRENT

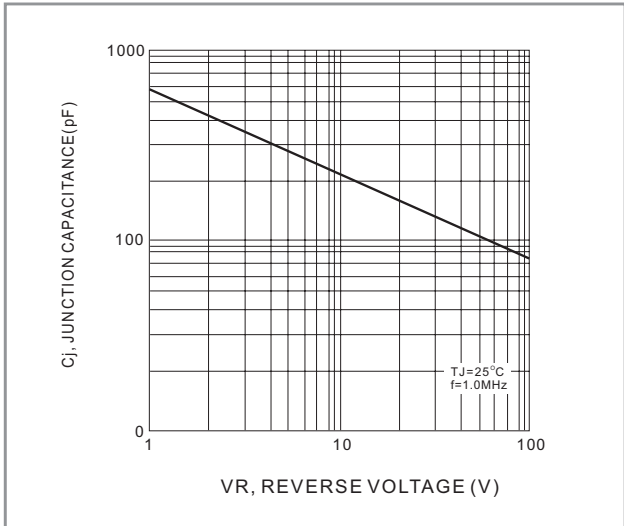


Fig. 3 - TYPICAL JUNCTION CAPACITANCE

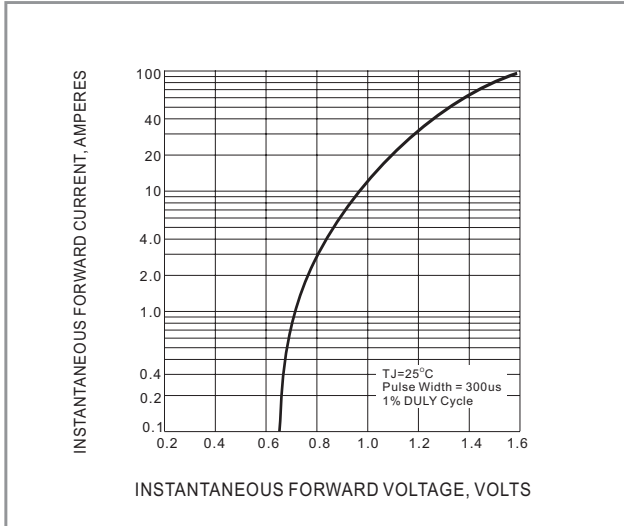


Fig. 4 - TYPICAL FORWARD CHARACTERISTICS PER ELEMENT