

MT7065A-UR

Features

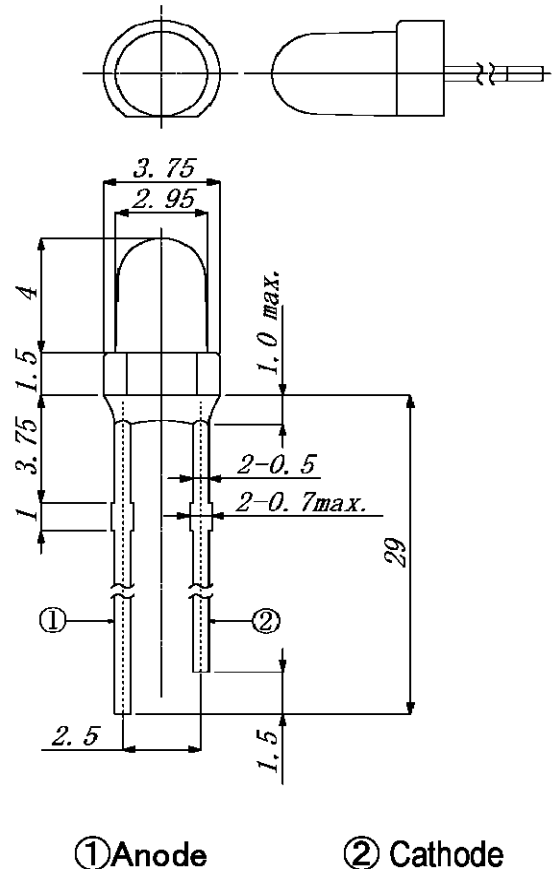
- High Reliability
- High Power Output
- Compact Package

Applications

- Optical Switches
- Optical Sensors

Maximum Ratings (Ta=25°C)

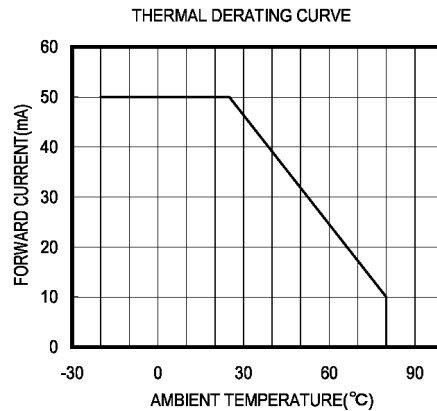
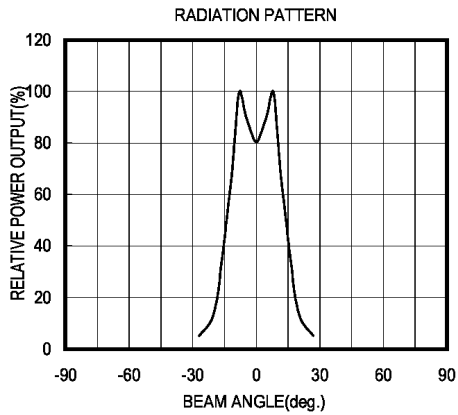
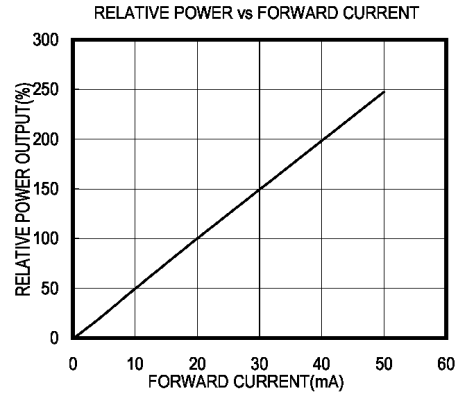
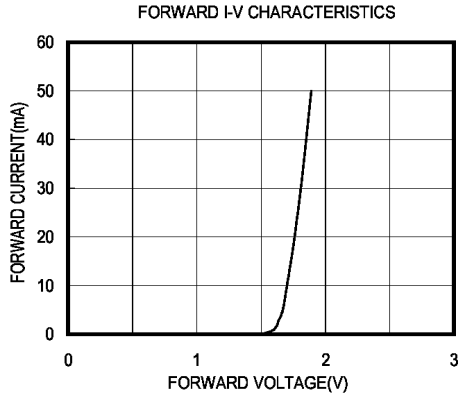
Characteristic	Symbol	Max.	Test Condition	Unit
Forward Current	I _F	50	-	mA
Pulsed Forward Current	I _{FP}	.50	tw=10μS, T=10mS	A
Reverse Voltage	V _R	5	-	V
Power Dissipation	P _D	110.00	-	mW
Operating Temperature	T _{opr}	-20 ~ +80	-	°C
Storage Temperature	T _{stg}	-30 ~+100	-	°C
Junction Temperature	T _j	100	-	°C
Soldering Temperature	T _{sol}	260	for 5 sec. max	°C



Opto-Electrical Characteristics (Ta=25°C)

Characteristic	Symbol	Test Condition	Min	Typ	Max	Unit
Forward Voltage	V _F	I _F =20mA	-	1.80	2.20	V
Reverse Current	I _R	V _R =5V	-	-	100	μA
Power Output	PO	I _F =20mA	-	5.50	-	mW
Half Intensity Beam Angle	θ	-	-	± 14°	-	deg.
Peak Wavelength	λ _p	I _F =20mA	-	660	-	nm
Spectral Line Half Width	Δλ	I _F =20mA	-	25	-	nm
Luminous Intensity	I _v	I _F =20mA	-	300.00	-	mcd

MT7065A-UR Graphs



SPECTRAL OUTPUT

