

### features

- High Efficiency to 89%
- Power Density up to 1.78W/cm<sup>3</sup> (28W/in<sup>3</sup>)
- 1.5kV Input to Output Isolation
- Industry Standard Pinout
- UL 1950 Recognised
- Non Latching Current Limit
- Constant 350kHz Frequency
- Versatile Control Options
- Continuous Rating to 30W at 60°C Without Heatsink
- Operation to Zero Load
- Protected Against All Load Faults
- Internal Over Temperature Protection
- Uses No Electrolytic Capacitors
- UL 94V-0 Package Materials

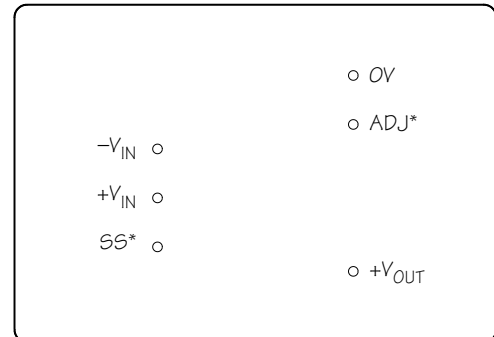
### description

The NPH25S series of DC-DC Converters combines ease of application with versatility. The pin pattern is based on the popular industry standard, but two additional pins may optionally be fitted to provide a variety of features not commonly found on units of this type. High efficiency enables full rating to be achieved in a small package without heatsinking, and a high surge capability will provide for start-up and transient loads, whilst being thermally protected against sustained overload. Overload protection of the "constant current" type ensures start-up into complex load conditions. The copper case achieves efficient heat transfer and screening. The product range has been recognised by Underwriters Laboratory (UL) to UL 1950 for operational insulation, file number E179522 applies.



### pin connections

Single Output Type (top view)



\*Optional

**UL 1950 RECOGNISED**

File Number E179522.

**PRELIMINARY**

Notice : This is not a final specification.  
Some parametric limits may be subject to change.

# NPH25S SERIES

## Isolated 25W Single Output DC-DC Converters

---

### absolute maximum ratings

Input voltage, 24V input types	−0.5V to 40V
Input voltage, 48V input types	−0.5V to 80V
Output Voltage	−0.3V to regulated voltage
Output trim control	−1V to +30V
Synchronisation/shutdown control	±15V relative to input return

### electrical specifications

Specifications typical at  $T_A=25^{\circ}\text{C}$ , nominal input voltage rated output current unless otherwise specified.

Order Code <sup>1</sup>	Nominal Input Voltage	Output Voltage	Output Current	Efficiency
	(V)	(V)	(A)	(%)
NPH25S2403i	24	3.4	7.3	81
NPH25S2405i	24	5.1	5.0	84
NPH25S2412i	24	12.1	2.1	86
NPH25S2415i	24	15.1	1.7	87
NPH25S4803i	48	3.4	7.3	83
NPH25S4805i	48	5.1	5.0	85
NPH25S4812i	48	12.1	2.1	88
NPH25S4815i	48	15.1	1.7	89

<sup>1</sup> If optional pins ADJ and SS are required (as indicated in the pin connections diagram) prefix the ending "i" with an E when ordering, e.g. NPH25S4803Ei.

# NPH25S SERIES

## Isolated 25W Single Output DC-DC Converters

### family characteristics - input

Specifications typical at  $T_A=25^{\circ}\text{C}$ , nominal input voltage and rated output current unless otherwise specified.

Parameter	Conditions	MIN	NOM	MAX	Units
Voltage Range	Continuous operation, 24V input types	18	24	36	V
	Continuous operation, 48V input types	36	48	75	

### family characteristics - output

Specifications typical at  $T_A=25^{\circ}\text{C}$ , nominal input voltage and rated output current unless otherwise specified.

Parameter	Conditions	MIN	TYP	MAX	Units
Voltage Set Point Error	50% load			0.5	%
Overall Voltage Error	Case temperature $-40$ to $110^{\circ}\text{C}$ Load 0% - 100% Input specified range			2.5	%
Temperature Coefficient of Output Voltage (slope)				250	ppm $^{\circ}\text{C}$
Deviation of Output Voltage	Temperature MIN-MAX		0.5	1	%
Line Regulation	Operating voltage range, 50% load			0.1	%
Load Regulation	0% - 100% rated load <sup>1</sup>			0.5	%
Ripple	rms		70		mV

### family characteristics - isolation

Specifications typical at  $T_A=25^{\circ}\text{C}$ , nominal input voltage and rated output current unless otherwise specified.

Parameter	Conditions	MIN	TYP	MAX	Units
Isolation Voltage	Flash tested for 1 second	1500			VDC
Resistance	$V_{iso}=500\text{VDC}$	1	4000		$\text{G}\Omega$

<sup>1</sup> A minimum load of 10% of rating is recommended for typical applications ; see application notes.

# NPH25S SERIES

## Isolated 25W Single Output DC-DC Converters

### family characteristics - control

Specifications typical at  $T_A=25^{\circ}\text{C}$ , nominal input voltage and rated output current unless otherwise specified.

Parameter	Conditions	MIN	TYP	MAX	Units
Voltage Trimming Range	At rated load, Trim control at either output	$\pm 10$			%
Remote Switch Input <sup>1</sup> (voltage relative to input negative)	Not operating	-15	0	1.5	V
	Operating, open circuit voltage	9	10	11	
Start Delay	Time from application of valid input voltage to output being in specification		25	50	ms
Synchronisation <sup>1</sup>	Specified drive signal	320		440	kHz
Switching Frequency		330	350	395	kHz

### family characteristics - general

Specifications typical at  $T_A=25^{\circ}\text{C}$ , nominal input voltage and rated output current unless otherwise specified.

Parameter	Conditions	MIN	TYP	MAX	Units
Package Weight			45		g
Thermal Protection	Operates at case temperature	110			$^{\circ}\text{C}$
Current Limit	Continuous short circuit causes no damage				

### family characteristics - environment

Parameter	Conditions	MIN	TYP	MAX	Units
Case Temperature	Full load	-40		110	$^{\circ}\text{C}$
Storage	Absolute MAX internal temperature	-40		125	$^{\circ}\text{C}$
Relative Humidity	Non-condensing $85^{\circ}\text{C}$			85	%

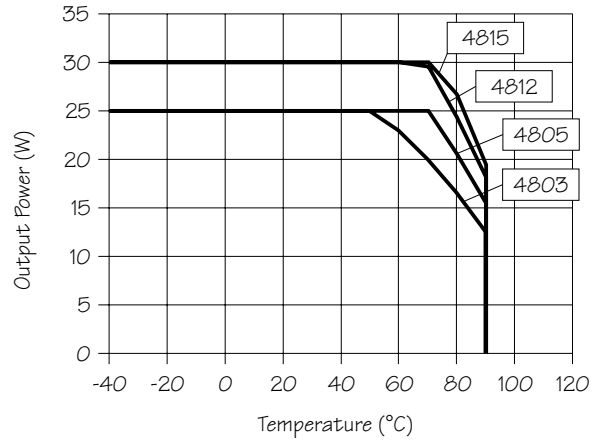
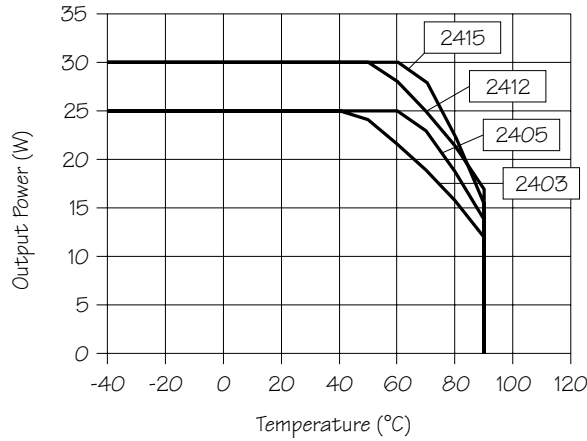
<sup>1</sup> Optional - Where fitted.

# NPH25S SERIES

## Isolated 25W Single Output DC-DC Converters

### typical characteristics

#### thermal performance



UL 1950 recognition - MAX permissible loads for a given ambient temperature for any NPH25S model

Temperature (°C)	Power (W)	Temperature (°C)	Power (W)
40	25.0	80	13.9
50	22.2	85	12.5
60	19.4	90	11.1
70	16.6		

MAX power rating with case temperature maintained by external means (eg forced air cooling)

Part Number	Case Temperature			Units
	100°C	105°C	110°C	
NPH25S2403	24	20	15	W
NPH25S2405	25	22	18	
NPH25S2412	30	24	21	
NPH25S2415	30	27	22	
NPH25S4803	25	20	16	W
NPH25S4805	25	24	20	
NPH25S4812	30	29	24	
NPH25S4815	30	30	26	

# NPH25S SERIES

## Isolated 25W Single Output DC-DC Converters

### application notes

In a typical application, the NPH series of dc-dc converters require nothing more than a dc supply of correct polarity and voltage to generate its specified output. These notes are intended to offer help in the use of other facilities offered by these converters, and to provide assistance in achieving their full potential.

The product range includes optional control pins on each side of the isolation barrier. These can be programmed with external circuits to perform a variety of functions.

### voltage trimming

The trimming (adjust) input on the secondary side allows output voltage adjustment within the capability of the power circuit.

When open circuit, the trimming pin ADJ operates at near half the output voltage. A basic trimming arrangement consists of a potentiometer of 10k $\Omega$  to 100k $\Omega$  connected across the output, with its wiper connected to the ADJ pin (see figure 1). Dependent on model, the output will be reduced by about 15% when the wiper is at the positive output, or increased by about 24% when at the negative rail. Regulation will be maintained to at least 10% adjustment either way.

If finer adjustment is required, a resistor may be included between the wiper and the pin. For example, 62k $\Omega$  will restrict a 3.3V model to  $\pm 5\%$  adjustment range. The corresponding values for the other voltages are 5V:56k $\Omega$ , 12V:100k $\Omega$  and 15V:150k $\Omega$ .

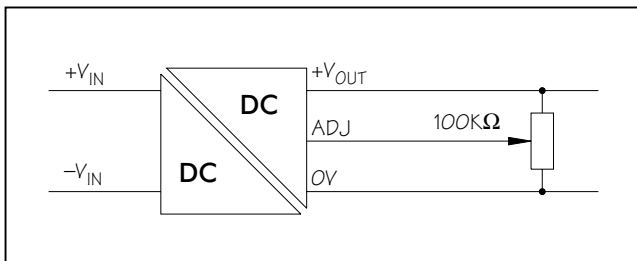


Figure 1 : Voltage trimming

### set voltage

The output voltage of all units is set to 100mV above nominal, to offset resistive losses and thus assist with worst case error calculations. For the Ei versions, this allowance can be altered with a single fixed resistor, connected from the trimming pin to one of the output pins.

### other trimming functions

The voltage applied to the trim pin need not be from a potentiometer. The trim facility may be driven electronically to provide "margining", remote sense, active load sharing, current control or remote programming (There is a minimum output voltage below which control is not possible).

### shutdown

When the shutdown pin is shorted to the negative input, the converter will stop. Its current consumption will then be less than 1mA at nominal supply voltage. The low voltage must be less than 1.5V to ensure that the unit stops, and must sink the above small input current.

The unit will restart if the control pin is left open circuit or raised to a value close to its normal open circuit voltage. This is typically 10V. Note however, that the unit will not meet specification while a significant current drain remains.

If the shutdown pin is to be connected to a long wire, it is recommended that a capacitor decouples the pin to the supply common in order to avoid the risk of injecting noise into the converter circuit. A series resistor may also be helpful. Values of 10nF and 1k $\Omega$  may be used.

Many NPH series converters may be switched together simply by linking the primary control pins. The primary common pins must also be linked.

### frequency control

If the primary side dc control voltage is pulled away from its open circuit voltage, the converter frequency will be changed, approximately in proportion to the voltage. With a 8.5VDC voltage to SS pin, the typical switching frequency will be 300kHz. If this is raised to 15VDC, the switching frequency will typically be 510kHz. The frequency may thus be moved away from a sensitive value or into a safe area. Deviation of at least -10% to 30% is achievable, though the efficiency will decline with significant changes. Also note that if the frequency is lowered, the switching frequency component of output ripple will increase. Since the design uses no large electrolytic capacitors, any use of a lower frequency must allow for the effects of increased ripple. Additional external filtering may be required.

### synchronisation

The converter frequency may be synchronised to an external frequency by connecting a negative going pulse the sync/shutdown pin. The drive signal is typically 8V to 12V amplitude and 100ns to 200ns duration. A suitable circuit consists of a CMOS timer (7555 series or TLC555) connected as an oscillator or as a pulse shaper. Its logic output (not the discharge output) should be connected via a 4.7nF capacitor to the converter pin. The synchronised frequency is above the free

running value. However, the free running frequency can be lowered, so that synchronisation may include frequencies near or below the natural value. An example of a practical circuit is shown in figure 2, which uses a zener diode to lower the natural frequency. If the zener diode does not have a sufficiently sharp characteristic, it may be necessary to add a bias resistor.

Several converters of this family may be synchronised from the same reference provided the waveform can be maintained by the use of an adequate driver circuit. If the rise time is more than 20ns, for example, synchronisation may not be achieved over the specified frequency range.

For best efficiency, set the frequency within the specified range of its natural state.

### filtering

The module includes a basic level of filtering, sufficient for many applications. Where lower noise levels are desired, filters can easily be added to achieve any required noise performance.

A dc-dc converter generates noise in two principle forms: that which is radiated from its body and that conducted on its external connections. There are three separate modes of conducted noise: input differential, output differential and input-output.

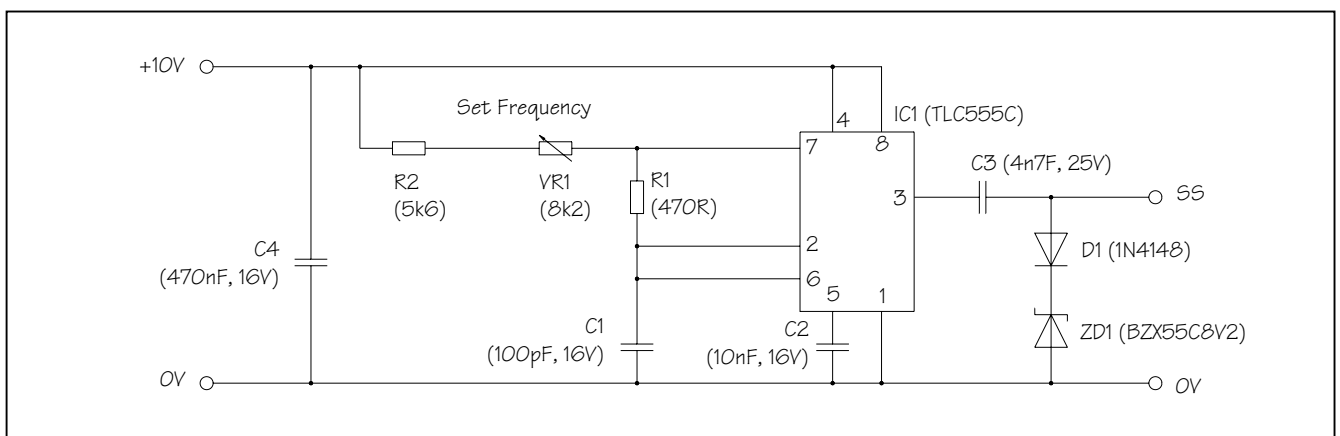


Figure 2 : Synchronisation

# NPH25S SERIES

## Isolated 25W Single Output DC-DC Converters

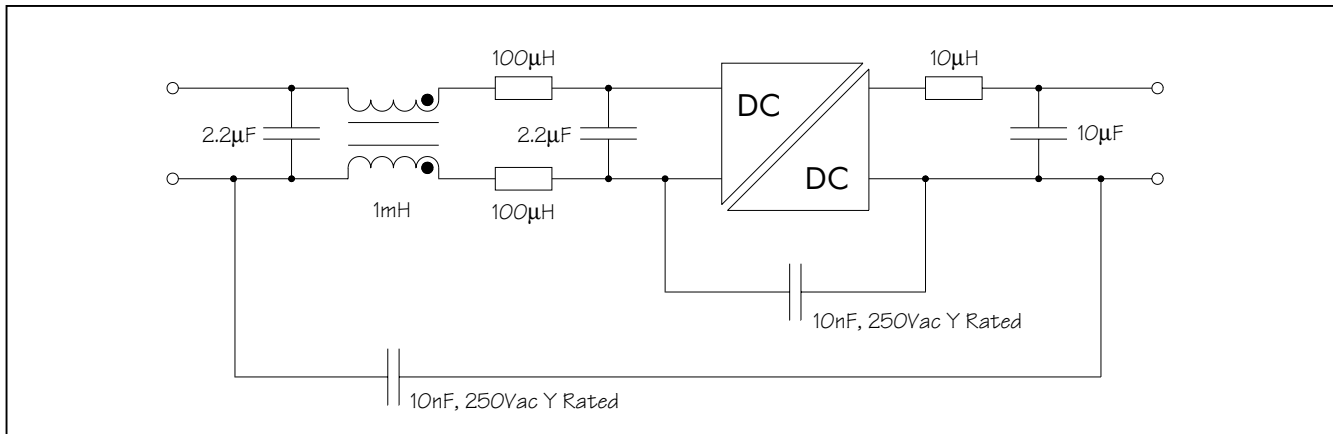


Figure 3 : Recommended Configuration to Reduce Noise

This last appears as common mode at the input and the output, and cannot therefore be removed by filtering at the input or output alone. The first level of filtering is to connect a capacitor between input and output returns, to reduce this form of noise. It typically contains high harmonics of the switching frequency, which tend to appear as spikes on surrounding circuits. The voltage rating of this capacitor must match the required isolation voltage. (Due to the great variety in isolation voltage and required noise performance, this capacitor has not been included within the converter.)

Input ripple is a voltage developed across the internal input decoupling capacitor. It is therefore measured with a defined supply source impedance. Although simple series inductance will provide filtering, on its own it can degrade the stability. A shunt capacitor is therefore recommended across the converter input terminals, so that it is fed from a low impedance.

If no filtering is required, the inductance of long supply wiring could also cause a problem, requiring an input decoupling capacitor for stability. An electrolytic will perform well in these situations.

See figure 3 for a recommended configuration to reduce all three conducted modes.

The component values and ratings will depend on the converter rating and voltage, and the required noise performance, but the values quoted in figure 3 suit a 48V to 5V 25W

converter. The input-output filtering is performed by the common-mode choke on the primary. This could be placed on the output, but would then degrade the regulation and produce less benefit for a given size, cost, and power loss.

Radiated noise is present in magnetic and electrostatic forms. The latter is suppressed by the metal case, which is connected to the output return, typically a zero-volt point. Thanks to the small size of these units, neither form of noise will be radiated "efficiently", so will not normally cause a problem. Any question of this kind usually better repays attention to conducted signals.

### mounting considerations

The copper case is connected to the output (0V) pin. Care is needed in the design of the circuit board on which the converter is mounted. Top side tracks must not contact the edge of the case or the ferrite core, visible on the underside of the unit.

### protection

The "absolute maximum" ratings in the specification define conditions which may degrade life but will not result in immediate damage. This section of the application notes deals with those unavoidable or accidental occasions when the ratings are exceeded.



# **NPH25S SERIES**

## **Isolated 25W Single Output DC-DC Converters**

---

The unit will protect itself against a wide range of abnormal conditions. In others, where failure is inevitable, the consequent hazards have been minimised.

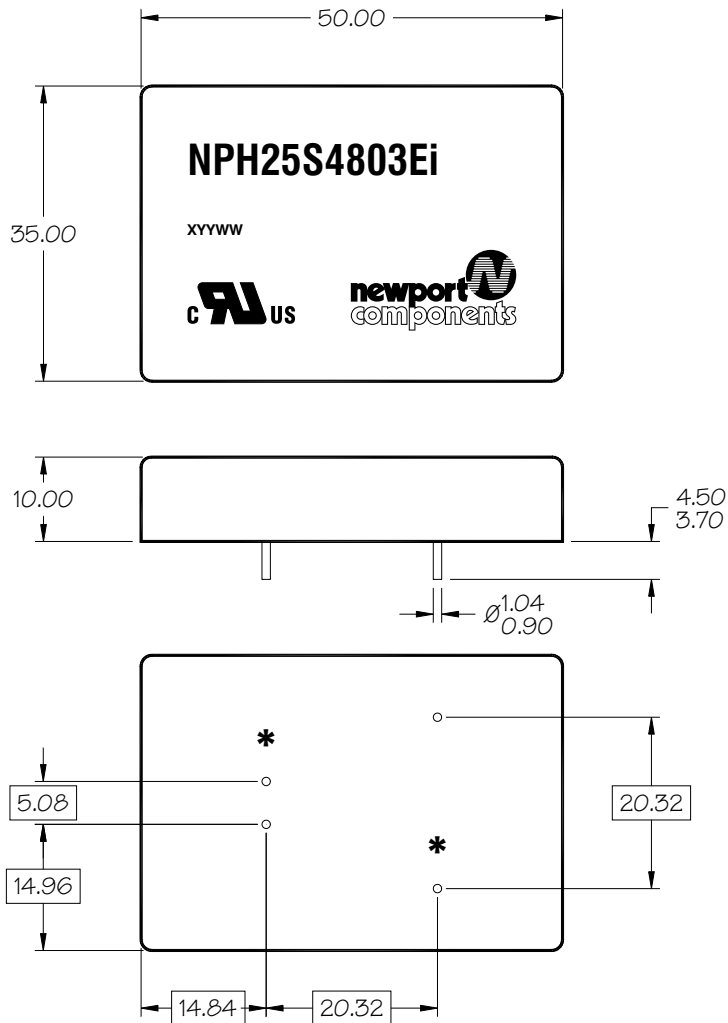
If the supply polarity is reversed, the unit is unable to protect itself. The simple preventative measure of a series diode would add unacceptable power loss for the basic product, but it may be appropriate in some applications to fit this diode externally.

With no polarity protection, tracks and components will safely fail to high impedance, disconnecting the power. A large fault current will occur in this process.

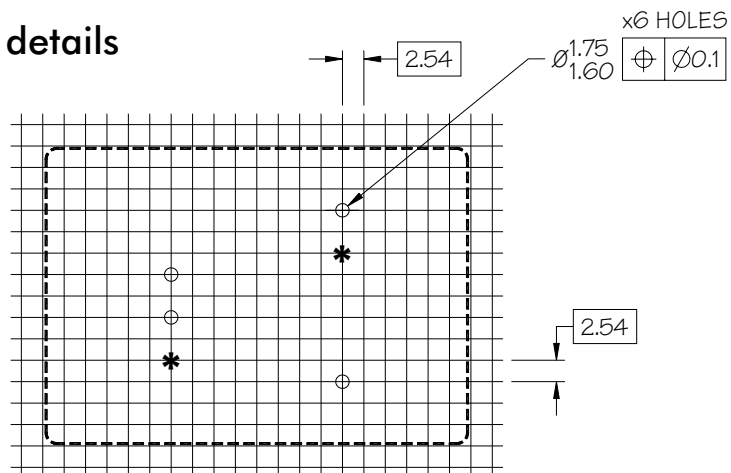
# NPH25S SERIES

## Isolated 25W Single Output DC-DC Converters

### outline dimensions<sup>1</sup>



### recommended footprint details



<sup>1</sup> All dimensions in mm  $\pm 0.25$ mm.  
All pins on a 2.54mm pitch and within  $\pm 0.25$ mm of true position.

\* Optional pins (refer to pin connections diagram on page 1).

# INFORMATION

---

The following Newport Components publications are also available :

- The Power Components Handbook (also in CD ROM format)
- EMC Design Guidelines

Please contact Newport Components or your local supplier for a copy of these data books.



Newport Components Limited reserve the right to alter or improve the specification, internal design or manufacturing process at any time, without notice. Please check with your supplier or visit our web site to ensure that you have the current and complete specification for your product before use.

For information and instructions on use, please consult the current Power Handbook.

© Newport Components Limited 1999

No part of this publication may be copied, transmitted or stored in a retrieval system or reproduced in any way including, but not limited to, photography, photocopy, magnetic or other recording means, without prior written permission from Newport Components Limited.

## Newport Components Limited

1 Tanners Drive, Blakelands North  
Milton Keynes MK14 5BU, England

Tel: +44 (0)1908 615232  
Fax: +44 (0)1908 617545  
email: [info@newport-comps.com](mailto:info@newport-comps.com)  
www: <http://www.newport-comps.com>

MEMBERS OF NEWPORT TECHNOLOGY GROUP

## Newport Components Inc.

8917 Glenwood Avenue, Raleigh  
NC 27612, USA

Tel: +1 (919) 571-9405  
Fax: +1 (919) 571-9262  
email: [info@us.newport-comps.com](mailto:info@us.newport-comps.com)



9000SANPH25S Issue 4 06/99 DCR 2308