

## Silicon NPN Power Transistors

2SD2052

## DESCRIPTION

www.datasheet4u.com

- With TO-3PFa package
- Wide area of safe operation
- Complement to type 2SB1361

## APPLICATIONS

- Optimum for the output stage of a HiFi audio amplifier

## PINNING

PIN	DESCRIPTION
1	Base
2	Collector;connected to mounting base
3	Emitter

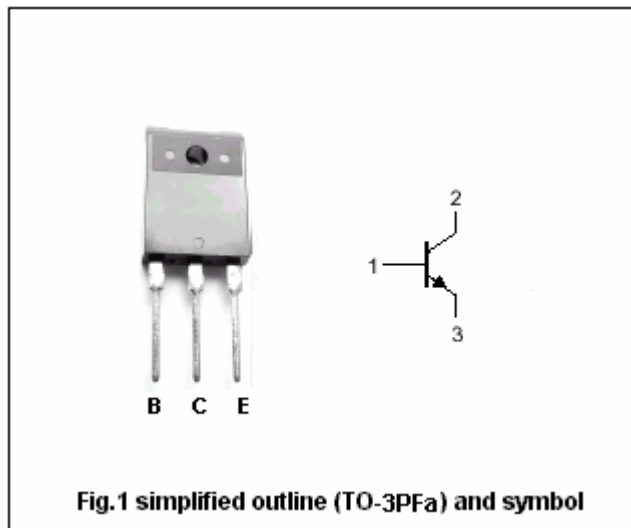


Fig.1 simplified outline (TO-3PFa) and symbol

Absolute maximum ratings( $T_c=25^\circ\text{C}$ )

SYMBOL	PARAMETER	CONDITIONS	VALUE	UNIT
$V_{CBO}$	Collector-base voltage	Open emitter	150	V
$V_{CEO}$	Collector-emitter voltage	Open base	150	V
$V_{EBO}$	Emitter-base voltage	Open collector	5	V
$I_C$	Collector current (DC)		9	A
$I_{CP}$	Collector current (Pulse)		15	A
$P_C$	Collector power dissipation	$T_a=25^\circ\text{C}$	3	W
		$T_c=25^\circ\text{C}$	100	
$T_j$	Junction temperature		150	$^\circ\text{C}$
$T_{stg}$	Storage temperature		-55~150	$^\circ\text{C}$

## Silicon NPN Power Transistors

## 2SD2052

## CHARACTERISTICS

T<sub>j</sub>=25°C unless otherwise specified

www.datasheet4u.com

SYMBOL	PARAMETER	CONDITIONS	MIN	TYP.	MAX	UNIT
V <sub>CE(sat)</sub>	Collector-emitter saturation voltage	I <sub>C</sub> =7A; I <sub>B</sub> =0.7A			2.0	V
V <sub>BE</sub>	Base-emitter on voltage	I <sub>C</sub> =7A; V <sub>CE</sub> =5V			1.8	V
I <sub>CBO</sub>	Collector cut-off current	V <sub>CB</sub> =150V; I <sub>E</sub> =0			50	μA
I <sub>EBO</sub>	Emitter cut-off current	V <sub>EB</sub> =3V; I <sub>C</sub> =0			50	μA
h <sub>FE-1</sub>	DC current gain	I <sub>C</sub> =20mA; V <sub>CE</sub> =5V	20			
h <sub>FE-2</sub>	DC current gain	I <sub>C</sub> =1A; V <sub>CE</sub> =5V	60		200	
h <sub>FE-3</sub>	DC current gain	I <sub>C</sub> =7A; V <sub>CE</sub> =5V	15			
f <sub>T</sub>	Transition frequency	I <sub>C</sub> =0.5A; V <sub>CE</sub> =5V; f=1MHz		20		MHz
C <sub>OB</sub>	Collector output capacitance	f=1MHz; I <sub>E</sub> =0; V <sub>CB</sub> =10V		150		pF

◆ h<sub>FE-2</sub> Classifications

Q	S	P
60-120	80-160	100-200

PACKAGE OUTLINE

www.datasheet4u.com

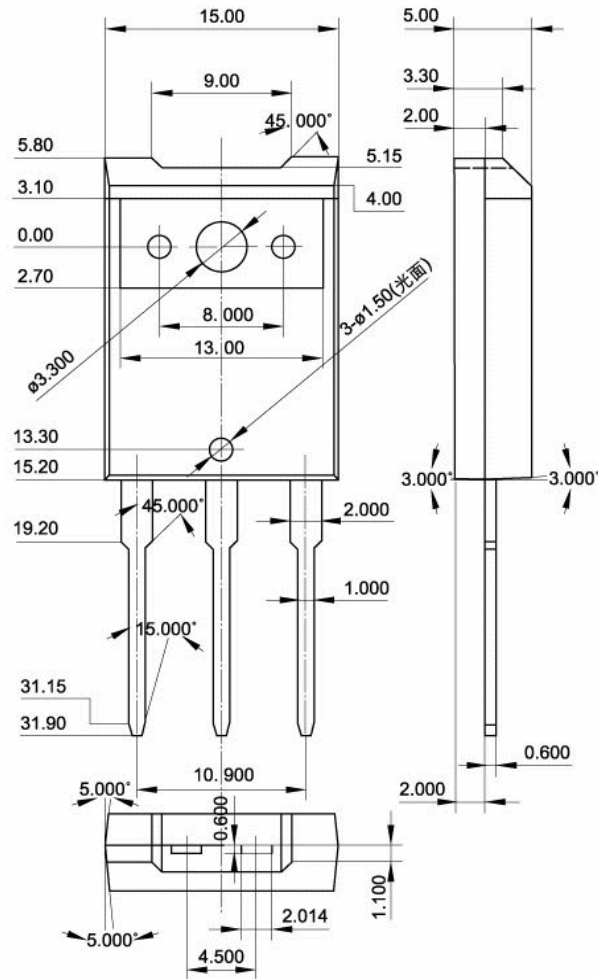


Fig.2 outline dimensions (unindicated tolerance:±0.30mm)