

DATA SHEET

BLU11/SL UHF power transistor

Product specification

July 1986

UHF power transistor

BLU11/SL

DESCRIPTION

N-P-N silicon planar epitaxial transistor primarily intended for use in mobile transmitters in the 470 MHz band.

FEATURES

- multi-base structure and emitter-ballasting resistors for an optimum temperature profile.
- gold metallization ensures excellent reliability.
- the device can be applied at a P_L of max. 1,5 W when it is mounted on a printed wiring board (see Fig.6) without an external heatsink.

The transistor has a 4-lead envelope with a ceramic cap (SOT-122D). All leads are isolated from the mounting base.

QUICK REFERENCE DATA

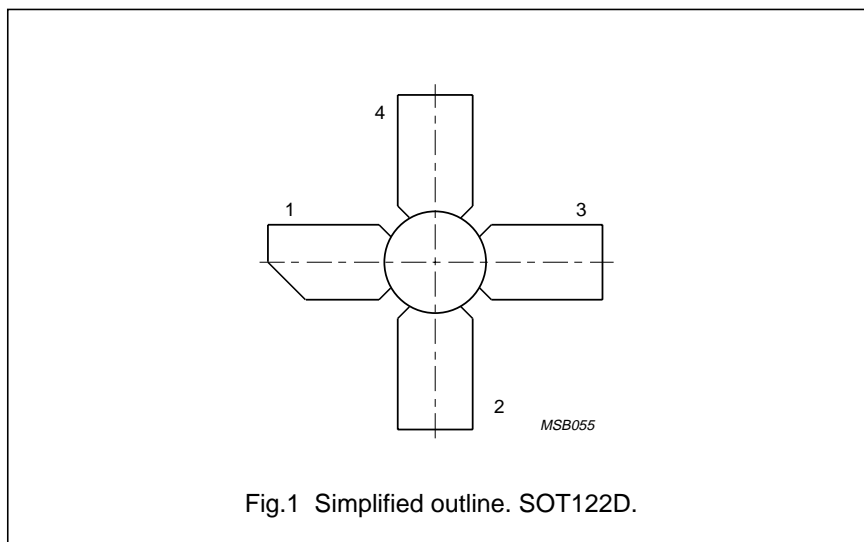
R.F. performance in a common-emitter class-B circuit.

MODE OF OPERATION	T °C	V _{CE} V	f MHz	P _L W	G _p dB	η _c %
narrow band; c.w.	T _{mb} = 25	12,5	470	2,5	> 10	> 55
	T _a = 25 ⁽¹⁾	12,5	470	1,5	> 12	> 55

Note

1. Device mounted on a printed wiring board (see Fig.6).

PIN CONFIGURATION



PINNING - SOT122D.

PIN	DESCRIPTION
1	collector
2	emitter
3	base
4	emitter

PRODUCT SAFETY This device incorporates beryllium oxide, the dust of which is toxic. The device is entirely safe provided that the BeO disc is not damaged.

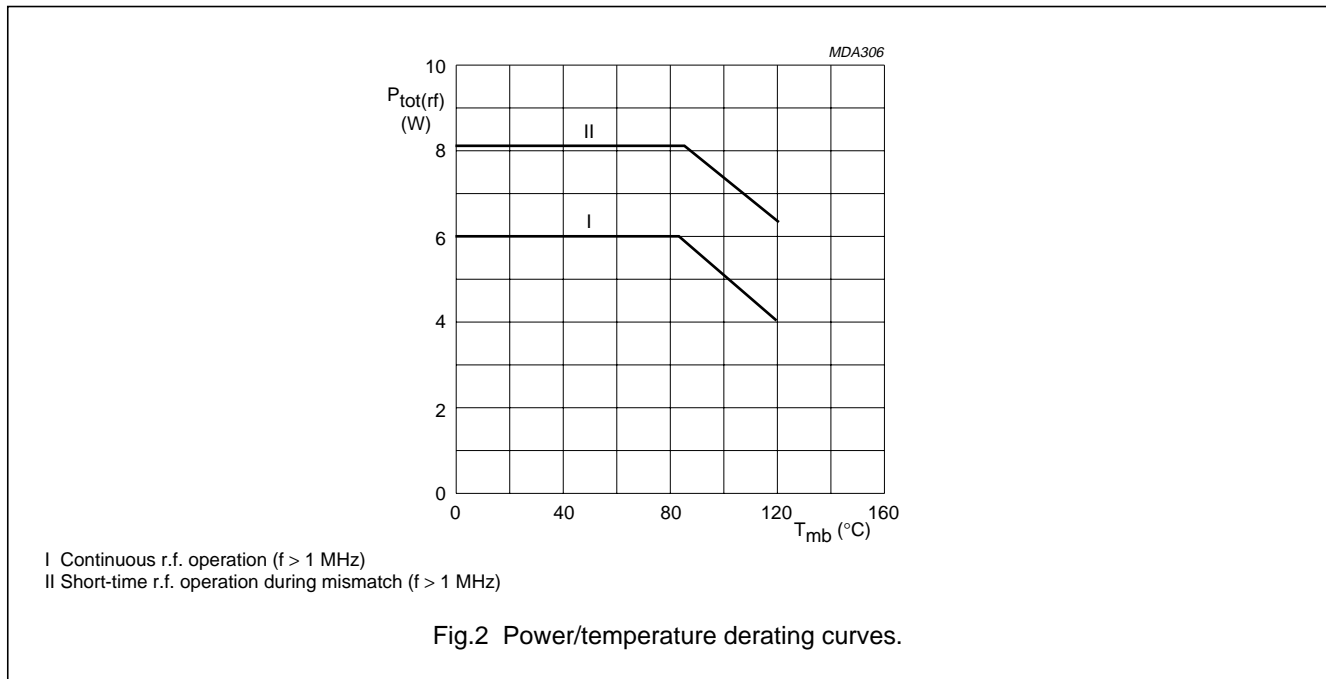
UHF power transistor

BLU11/SL

RATINGS

Limiting values in accordance with the Absolute Maximum System (IEC 134)

Collector-base voltage (open emitter)	V_{CBO}	max.	36 V
Collector-emitter voltage (open base)	V_{CEO}	max.	16 V
Emitter-base voltage (open collector)	V_{EBO}	max.	3 V
Collector current			
d.c. or average	$I_C; I_{C(AV)}$	max.	0,4 A
(peak value), $f > 1$ MHz	I_{CM}	max.	1,2 A
Total power dissipation			
at $T_{mb} \leq 90$ °C; $f > 1$ MHz	$P_{tot(rf)}$	max.	6 W
Storage temperature	T_{stg}		-65 to +150 °C
Operating junction temperature	T_j	max.	200 °C



THERMAL RESISTANCE

Dissipation = 4,5 W

From junction to ambient⁽¹⁾

at $T_a = 25$ °C; $f > 1$ MHz (r.f. operation) $R_{th\ j-a} (rf)$ max. 50 K/W

From junction to mounting base

at $T_{mb} = 25$ °C; $f > 1$ MHz (r.f. operation) $R_{th\ j-mb} (rf)$ max. 15 K/W

Note

1. Device mounted on a printed wiring board (see Fig.6).

UHF power transistor

BLU11/SL

CHARACTERISTICS

$T_j = 25\text{ }^\circ\text{C}$ unless otherwise specified

Collector-base breakdown voltage

open emitter; $I_C = 5\text{ mA}$

$V_{(BR)CBO}$ min. 36 V

Collector-emitter breakdown voltage

open base; $I_C = 10\text{ mA}$

$V_{(BR)CEO}$ min. 16 V

Emitter-base breakdown voltage

open collector; $I_E = 0,5\text{ mA}$

$V_{(BR)EBO}$ min. 3 V

Collector cut-off current

$V_{BE} = 0$; $V_{CE} = 16\text{ V}$

I_{CES} max. 2,5 mA

Second breakdown energy

$L = 25\text{ mH}$; $f = 50\text{ Hz}$; $R_{BE} = 10\text{ }\Omega$

E_{SBR} min. 0,55 mJ

D.C. current gain

$I_C = 0,3\text{ A}$; $V_{CE} = 10\text{ V}$

h_{FE} min. 25

Collector capacitance at $f = 1\text{ MHz}$

$I_E = i_e = 0$; $V_{CB} = 12,5\text{ V}$

C_c typ. 4 pF

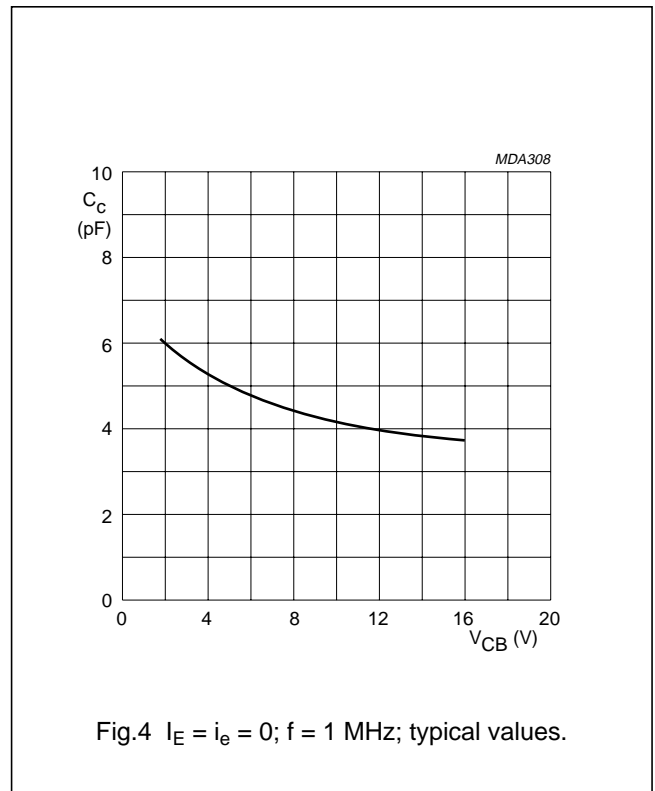
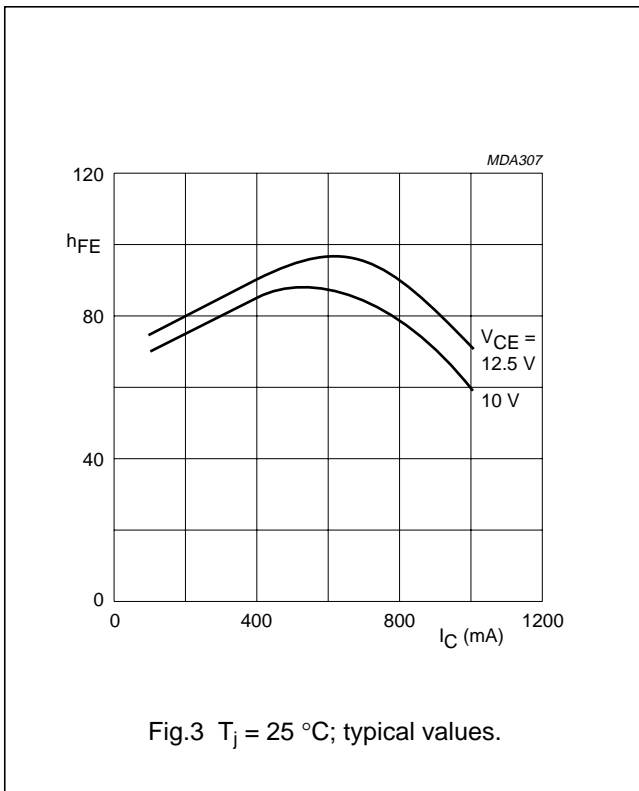
Feedback capacitance at $f = 1\text{ MHz}$

$I_C = 0$; $V_{CE} = 12,5\text{ V}$

C_{re} typ. 2,5 pF

Collector-mounting base capacitance

C_{c-mb} typ. 1,2 pF



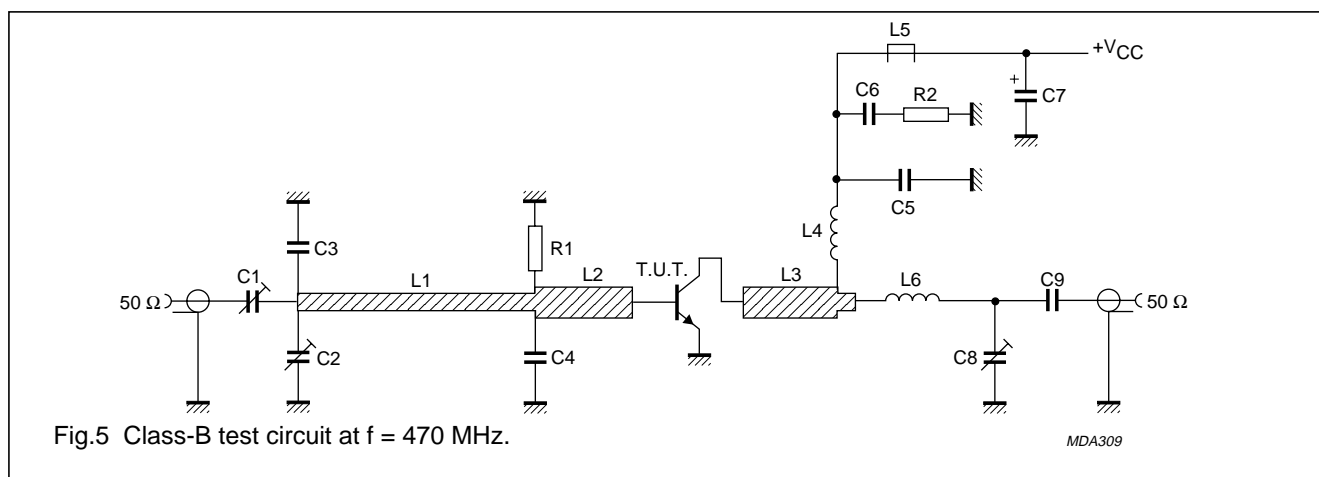
UHF power transistor

BLU11/SL

APPLICATION INFORMATION

R.F. performance in common-emitter circuit; class-B; $f = 470$ MHz; circuit tuned at $P_L = 2,5$ W.

MODE OF OPERATION	T °C	V _{CE} V	f MHz	P _L W	G _p dB	η _c %
narrow band; c.w.	T _{mb} = 25	12,5	470	2,5	> 10	> 55
	T _{mb} = 25				typ. 12	typ. 60
	T _a = 25 ⁽²⁾	12,5	470	1,5	> 12	> 55



List of components:

C1 = C2 = 2-9 pF film dielectric trimmer (cat. no. 2222 809 09002)

C3 = 1,6 pF multilayer ceramic chip capacitor⁽¹⁾

C4 = 10 pF multilayer ceramic chip capacitor⁽¹⁾

C5 = 100 pF multilayer ceramic chip capacitor

C6 = 3 × 100 nF multilayer ceramic chip capacitor (cat. no. 2222 809 47104)

C7 = 2,2 μF (35 V) tantalum electrolytic capacitor

C8 = 1,4 - 55 pF film dielectric trimmer (cat. no. 2222 809 09001)

C9 = 5,6 pF multilayer ceramic chip capacitor⁽¹⁾

L1 = 56 Ω stripline (25,5 mm × 2 mm)

L2 = L3 = 25 Ω stripline (11 mm × 6 mm)

L4 = 132 nH; 6 turns closely wound enamelled Cu-wire (1 mm), int. dia. 6 mm, leads 2 × 5 mm

L5 = Ferroxcube h.f. choke, grade 3B (cat. no. 4312 020 36642)

L6 = 16 nH; 1 turn enamelled Cu-wire (1 mm), int. dia. 6 mm, leads 2 × 5 mm

R1 = 10 Ω; ± 5% 0,4 W metal film resistor

R2 = 10 Ω; ± 5% 0,4 W metal film resistor

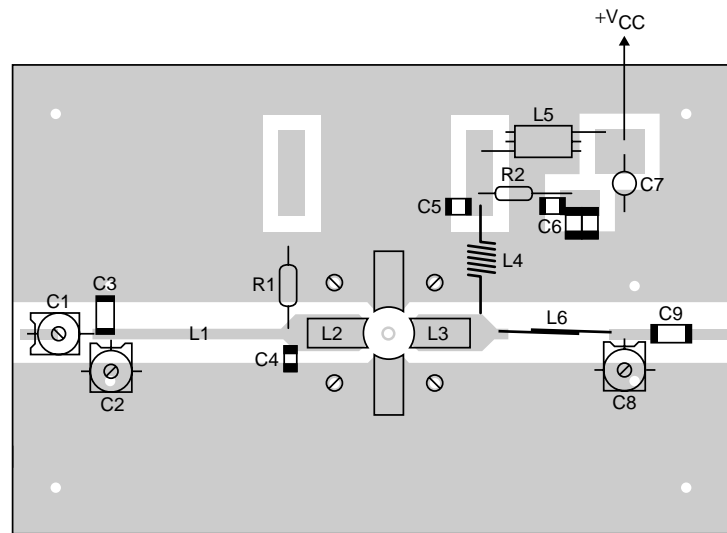
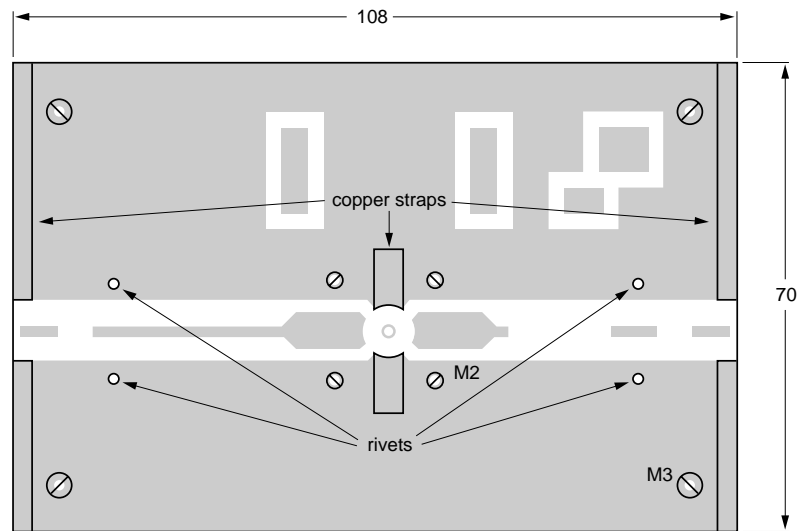
L1, L4 and L5 are striplines on a double Cu-clad printed wiring board with PTFE fibre-glass dielectric ($\epsilon_r = 2,2$) and a thickness $\frac{1}{32}$ inch; thickness of copper-sheet 2 × 35 μm.

Notes

- American Technical Ceramics capacitor type B or capacitor of the same quality.
- Device mounted on a printed wiring board (see Fig.6).

UHF power transistor

BLU11/SL



MDA310

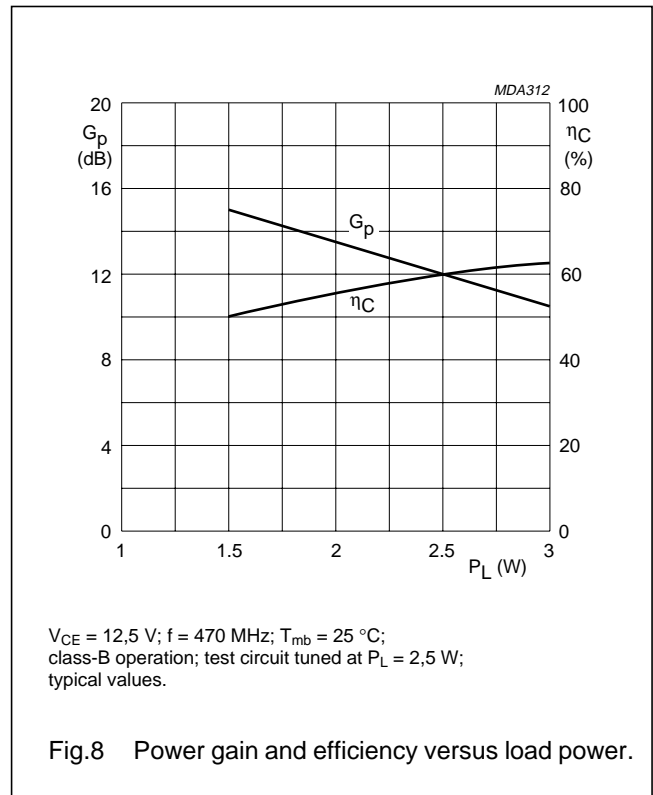
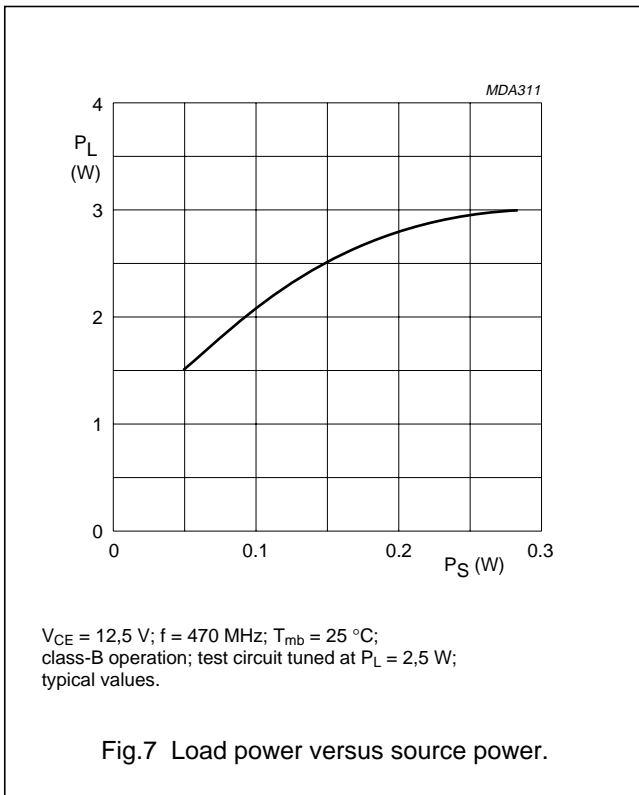
The circuit and the components are situated on one side of the P.T.F.E. fibre-glass board; the other side is unetched copper serving as a groundplane. Earth connections are made by using hollow rivets, fixing-screws and copper straps at the input and output and under the two emitters to provide a direct contact between the copper on the component side and the groundplane.

Dimensions in mm.

Fig.6 Printed wiring board and component lay-out for 470 MHz class-B test circuit.

UHF power transistor

BLU11/SL



RUGGEDNESS

The BLU11/SL is capable of withstanding a full load mismatch ($V_{SWR} = 50$ through all phases) at $P_L = 2,5 \text{ W}$ up to a supply voltage of $15,5 \text{ V}$ at $T_{mb} = 25 \text{ }^\circ\text{C}$.

Input and output impedances (series components) versus frequency:

$V_{CE} = 12,5 \text{ V}; P_L = 2,5 \text{ W}; f = 400 \text{ to } 512 \text{ MHz};$
 $T_{mb} = 25 \text{ }^\circ\text{C};$ class-B operation; typical values.

FREQUENCY (MHz)	$Z_i (\Omega)$	$Z_o (\Omega)$
400	$4,0 - j 4,1$	$13,1 + j 7,2$
430	$4,0 - j 3,3$	$13,3 + j 7,0$
460	$4,0 - j 2,6$	$13,6 + j 6,9$
490	$4,1 - j 1,9$	$13,8 + j 6,8$
512	$4,1 - j 1,5$	$13,8 + j 6,7$

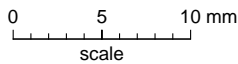
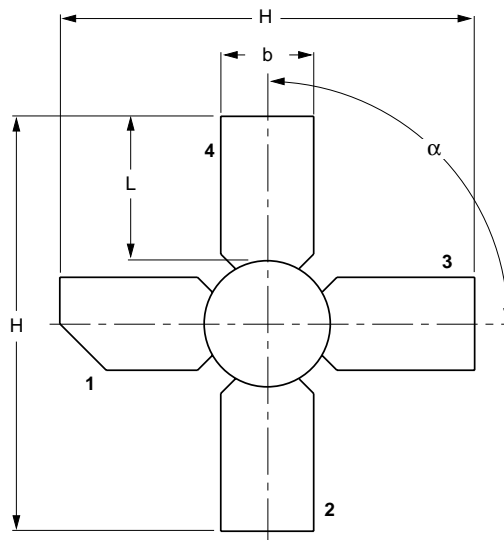
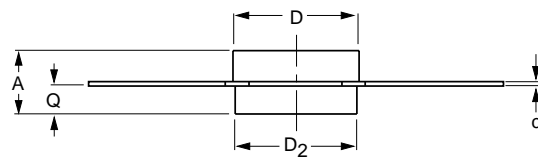
UHF power transistor

BLU11/SL

PACKAGE OUTLINE

Studless ceramic package; 4 leads

SOT122D



DIMENSIONS (millimetre dimensions are derived from the original inch dimensions)

UNIT	A	b	c	D	D ₂	H	L	Q	α
mm	4.17 3.27	5.85 5.58	0.18 0.14	7.50 7.23	7.24 6.98	27.56 25.78	9.91 9.14	1.58 1.27	90°

OUTLINE VERSION	REFERENCES				EUROPEAN PROJECTION	ISSUE DATE
	IEC	JEDEC	EIAJ			
SOT122D						97-04-18

UHF power transistor

BLU11/SL

DEFINITIONS

Data Sheet Status	
Objective specification	This data sheet contains target or goal specifications for product development.
Preliminary specification	This data sheet contains preliminary data; supplementary data may be published later.
Product specification	This data sheet contains final product specifications.
Limiting values	
Limiting values given are in accordance with the Absolute Maximum Rating System (IEC 134). Stress above one or more of the limiting values may cause permanent damage to the device. These are stress ratings only and operation of the device at these or at any other conditions above those given in the Characteristics sections of the specification is not implied. Exposure to limiting values for extended periods may affect device reliability.	
Application information	
Where application information is given, it is advisory and does not form part of the specification.	

LIFE SUPPORT APPLICATIONS

These products are not designed for use in life support appliances, devices, or systems where malfunction of these products can reasonably be expected to result in personal injury. Philips customers using or selling these products for use in such applications do so at their own risk and agree to fully indemnify Philips for any damages resulting from such improper use or sale.