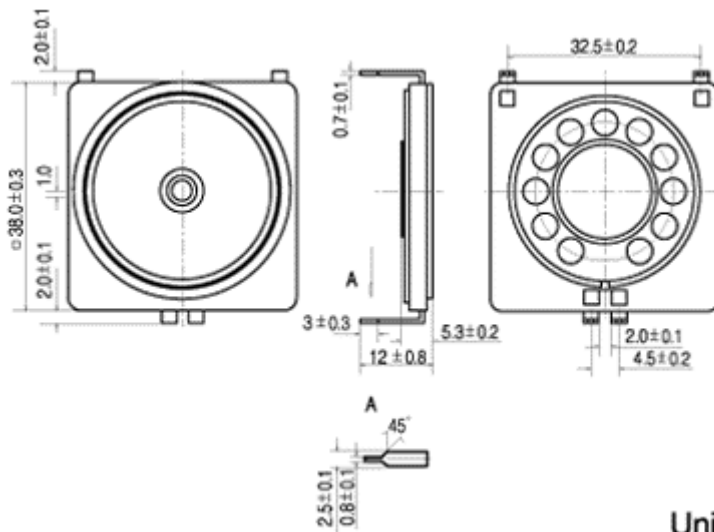




Type	BMS-3808H
Rated Impedance(Ω)	$8 \pm 15\%$
Rated(Max.) Power(W)	0.25(0.5)
Resonant Frequency(Hz)	$550 \pm 20\%$
Rated Freq.Range(Hz)	$f_0 \sim 5000$
Sound Pressure Level(dB)	83 ± 3
Magnet(g)	1.1
Operating Temperature($^{\circ}\text{C}$)	$-40 \sim +85$



Unit:mm

