

EPM5192A EPLD

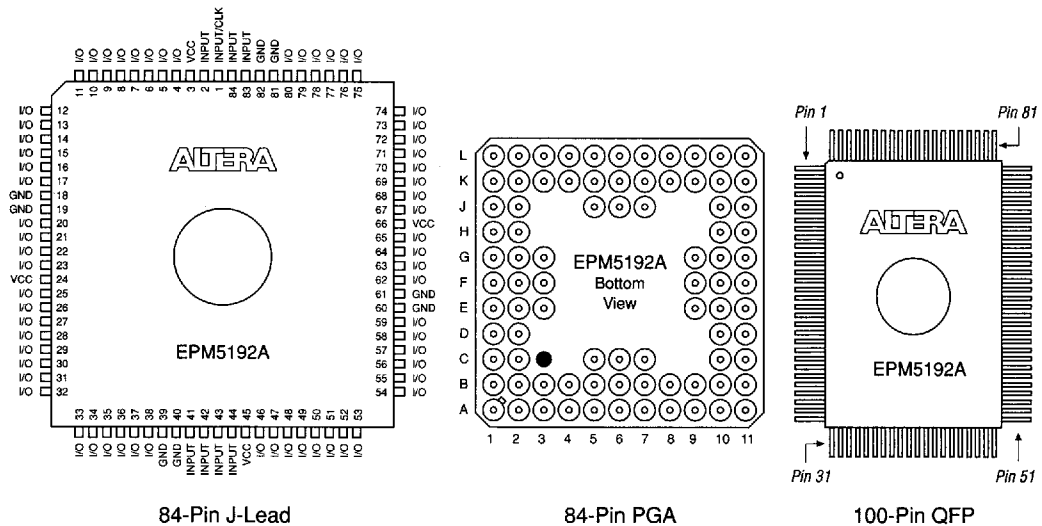
Features

- ❑ High-performance, second-generation MAX 5000 EPLD developed on an advanced 0.65-micron CMOS EPROM process
- ❑ High-speed upgrade for existing EPM5192 designs
- ❑ High-speed multi-LAB architecture
 - t_{PD} as fast as 15 ns
 - Counter frequencies up to 83.3 MHz
- ❑ 384 shareable expander product terms (“expanders”) offering flexibility for register and combinatorial logic expansion
- ❑ Programmable I/O architecture allowing up to 72 inputs or 64 outputs
- ❑ High-density replacement for 74-series SSI and MSI TTL and CMOS logic
- ❑ Available in windowed ceramic and plastic one-time-programmable (OTP) packages (see Figure 28):
 - 84-pin J-lead chip carrier (JLCC and PLCC)
 - 84-pin pin-grid array (ceramic PGA only)
 - 100-pin quad flat pack (plastic QFP only)

Preliminary Information

Figure 28. EPM5192A Package Pin-Out Diagrams

Package outlines not drawn to scale. See Tables 9 and 10 in this data sheet for pin-out information. Windows in ceramic packages only.



General Description

The Altera EPM5192A EPLD is a user-configurable, high-performance MAX 5000 EPLD that is pin-, function- and programming-file-compatible with the EPM5192. For a description of the device architecture, see “EPM5192 EPLD” in this data sheet.

4

MAX 5000/
EPS464

EPM5192A EPLD

Preliminary Information

Data Sheet

Absolute Maximum Ratings See *Operating Requirements for Altera Devices* in this data book.

Symbol	Parameter	Conditions	Min	Max	Unit
V_{CC}	Supply voltage	With respect to GND	-2.0	7.0	V
V_I	DC input voltage	Note (1)	-2.0	7.0	V
I_{MAX}	DC V_{CC} or GND current			500	mA
I_{OUT}	DC output current, per pin		-25	25	mA
P_D	Power dissipation			2500	mW
T_{STG}	Storage temperature	No bias	-65	150	°C
T_{AMB}	Ambient temperature	Under bias	-65	135	°C
T_J	Junction temperature	Under bias		150	°C

Recommended Operating Conditions

Symbol	Parameter	Conditions	Min	Max	Unit
V_{CC}	Supply voltage	Note (2)	4.75 (4.5)	5.25 (5.5)	V
V_I	Input voltage		0	V_{CC}	V
V_O	Output voltage		0	V_{CC}	V
T_A	Operating temperature	For commercial use	0	70	°C
T_A	Operating temperature	For industrial use	-40	85	°C
T_C	Case temperature	For military use	-55	125	°C
t_R	Input rise time			100	ns
t_F	Input fall time			100	ns

DC Operating Conditions Notes (3), (4)

Symbol	Parameter	Conditions	Min	Typ	Max	Unit
V_{IH}	High-level input voltage		2.0		$V_{CC} + 0.3$	V
V_{IL}	Low-level input voltage		-0.3		0.8	V
V_{OH}	High-level TTL output voltage	$I_{OH} = -4$ mA DC	2.4			V
V_{OL}	Low-level output voltage	$I_{OL} = 8$ mA DC			0.45	V
I_I	Input leakage current	$V_I = V_{CC}$ or GND	-10		10	μ A
I_{OZ}	Tri-state output off-state current	$V_O = V_{CC}$ or GND	-40		40	μ A
I_{CC1}	V_{CC} supply current (standby)	$V_I = V_{CC}$ or GND, Note (5)		180	225	mA
I_{CC3}	V_{CC} supply current (active)	$V_I = V_{CC}$ or GND, No load, $f = 1.0$ MHz, Note (5)		200	245	mA

Capacitance

Symbol	Parameter	Conditions	Min	Max	Unit
C_{IN}	Input capacitance	$V_{IN} = 0$ V, $f = 1.0$ MHz		10	pF
C_{OUT}	Output capacitance	$V_{OUT} = 0$ V, $f = 1.0$ MHz		20	pF

AC Operating Conditions Note (4)

External Timing Parameters			EPM5192A-15		EPM5192A-20		
Symbol	Parameter	Conditions	Min	Max	Min	Max	Unit
t_{PD1}	Input to non-registered output	C1 = 35 pF		15		20	ns
t_{PD2}	I/O input to non-registered output			25		33	ns
t_{SU}	Global clock setup time		10		13		ns
t_H	Global clock hold time		0		0		ns
t_{CO1}	Global clock to output delay	C1 = 35 pF		7		8	ns
t_{CH}	Global clock high time		5		7		ns
t_{CL}	Global clock low time		5		7		ns
t_{ASU}	Array clock setup time		5		6		ns
t_{AH}	Array clock hold time		5		6		ns
t_{ACO1}	Array clock to output delay	C1 = 35 pF		13		16	ns
t_{ACH}	Array clock high time		5		7		ns
t_{ACL}	Array clock low time		5		7		ns
t_{CNT}	Minimum global clock period			12		15	ns
f_{CNT}	Max. internal global clock frequency	Note (5)	83.3		66.7		MHz
t_{ACNT}	Minimum array clock period			12		15	ns
f_{ACNT}	Max. internal array clock frequency	Note (5)	83.3		66.7		MHz
f_{MAX}	Maximum clock frequency	Note (6)	100.0		71.4		MHz

Internal Timing Parameters Note (7)			EPM5192A-15		EPM5192A-20		
Symbol	Parameter	Conditions	Min	Max	Min	Max	Unit
t_{IN}	Input pad and buffer delay			3		4	ns
t_{IO}	I/O input pad and buffer delay			3		4	ns
t_{EXP}	Expander array delay			8		10	ns
t_{LAD}	Logic array delay			8		12	ns
t_{LAC}	Logic control array delay			5		5	ns
t_{OD}	Output buffer and pad delay	C1 = 35 pF		3		3	ns
t_{ZX}	Output buffer enable delay			5		5	ns
t_{XZ}	Output buffer disable delay	C1 = 5 pF		5		5	ns
t_{SU}	Register setup time		2		1		ns
t_{LATCH}	Flow-through latch delay			1		1	ns
t_{RD}	Register delay			1		1	ns
t_{COMB}	Combinatorial delay			1		1	ns
t_H	Register hold time		7		10		ns
t_{IC}	Array clock delay			6		8	ns
t_{ICS}	Global clock delay			0		0	ns
t_{FD}	Feedback delay			1		1	ns
t_{PRE}	Register preset time			3		3	ns
t_{CLR}	Register clear time			3		3	ns
t_{PIA}	Prog. Interconnect Array delay			10		13	ns

Notes to tables:

- (1) Minimum DC input is -0.3 V. During transitions, the inputs may undershoot to -2.0 V or overshoot to 7.0 V for periods shorter than 20 ns under no-load conditions.
- (2) Numbers in parentheses are for military- and industrial-temperature-range versions.
- (3) Typical values are for $T_A = 25^\circ\text{C}$ and $V_{CC} = 5\text{ V}$.
- (4) Operating conditions: $V_{CC} = 5\text{ V} \pm 5\%$, $T_A = 0^\circ\text{C}$ to 70°C for commercial use.
 $V_{CC} = 5\text{ V} \pm 10\%$, $T_A = -40^\circ\text{C}$ to 85°C for industrial use.
 $V_{CC} = 5\text{ V} \pm 10\%$, $T_C = -55^\circ\text{C}$ to 125°C for military use.
- (5) Measured with a 16-bit counter programmed into each LAB. I_{CC} measured at 0°C .
- (6) The f_{MAX} values represent the maximum frequency for pipelined data.
- (7) For information on internal timing parameters, refer to *Application Brief 100 (Understanding EPLD Timing)* in this data book.

Product Availability

Product Grade		Availability
Commercial Temp.	(0°C to 70°C)	Consult factory
Industrial Temp.	(-40°C to 85°C)	Consult factory
Military Temp.	(-55°C to 125°C)	Consult factory
MIL-STD-883-Compliant	Note (1)	See <i>Military Products</i> in this data book.

Note:

- (1) MIL-STD-883-compliant product specifications are provided in this data book and in Military Product Drawings (MPDs). However, only MPDs should be used to prepare Source Control Drawings (SCDs). MPDs are available from Altera Marketing at (408) 894-7000.

Pin-Out Information

Tables 9 and 10 provide pin-out information for the EPM5192A.

Table 9. EPM5192A Dedicated Pin-Outs			
Dedicated Pin	84-Pin J-Lead	84-Pin PGA	100-Pin QFP
INPUT/CLK	1	A6	91
INPUT	2, 41, 42, 43, 44, 83, 84	A5, K6, J6, J7, L7, C7, C6	39, 40, 41, 42
GND	18, 19, 39, 40, 60, 61, 81, 82	A7, B7, E1, E2, G10, G11, K5, L5	2, 3, 4, 12, 13, 28, 29, 30, 37, 38, 52, 53, 54, 62, 63, 78, 79, 80, 87, 88
VCC	3, 24, 45, 66	B5, E10, G2, K7	18, 44, 68, 69, 93, 94

Table 10. EPM5192A I/O Pin-Outs (Part 1 of 3)

MC	LAB	84-Pin J-Lead	84-Pin PGA	100-Pin QFP	MC	LAB	84-Pin J-Lead	84-Pin PGA	100-Pin QFP
1	A	4	C5	95	17	B	12	C2	6
2	A	5	A4	96	18	B	13	B1	7
3	A	6	B4	97	19	B	14	C1	8
4	A	7	A3	98	20	B	15	D2	9
5	A	8	A2	99	21	B	-	-	-
6	A	9	B3	100	22	B	-	-	-
7	A	10	A1	1	23	B	-	-	-
8	A	11	B2	5	24	B	-	-	-
9	A	-	-	-	25	B	-	-	-
10	A	-	-	-	26	B	-	-	-
11	A	-	-	-	27	B	-	-	-
12	A	-	-	-	28	B	-	-	-
13	A	-	-	-	29	B	-	-	-
14	A	-	-	-	30	B	-	-	-
15	A	-	-	-	31	B	-	-	-
16	A	-	-	-	32	B	-	-	-
33	C	16	D1	10	49	D	22	G3	16
34	C	17	E3	11	50	D	23	G1	17
35	C	20	F2	14	51	D	25	F1	20
36	C	21	F3	15	52	D	26	H1	21
37	C	-	-	-	53	D	-	-	-
38	C	-	-	-	54	D	-	-	-
39	C	-	-	-	55	D	-	-	-
40	C	-	-	-	56	D	-	-	-
41	C	-	-	-	57	D	-	-	-
42	C	-	-	-	58	D	-	-	-
43	C	-	-	-	59	D	-	-	-
44	C	-	-	-	60	D	-	-	-
45	C	-	-	-	61	D	-	-	-
46	C	-	-	-	62	D	-	-	-
47	C	-	-	-	63	D	-	-	-
48	C	-	-	-	64	D	-	-	-

4

MAX 5000/
EPS464

Table 10. EPM5192A I/O Pin-Outs (Part 2 of 3)

MC	LAB	84-Pin J-Lead	84-Pin PGA	100-Pin QFP	MC	LAB	84-Pin J-Lead	84-Pin PGA	100-Pin QFP
65	E	27	H2	22	81	F	31	L1	26
66	E	28	J1	23	82	F	32	K2	27
67	E	29	K1	24	83	F	33	K3	31
68	E	30	J2	25	84	F	34	L2	32
69	E	-	-	-	85	F	35	L3	33
70	E	-	-	-	86	F	36	K4	34
71	E	-	-	-	87	F	37	L4	35
72	E	-	-	-	88	F	38	J5	36
73	E	-	-	-	89	F	-	-	-
74	E	-	-	-	90	F	-	-	-
75	E	-	-	-	91	F	-	-	-
76	E	-	-	-	92	F	-	-	-
77	E	-	-	-	93	F	-	-	-
78	E	-	-	-	94	F	-	-	-
79	E	-	-	-	95	F	-	-	-
80	E	-	-	-	96	F	-	-	-
97	G	46	L6	45	113	H	54	J10	56
98	G	47	L8	46	114	H	55	K11	57
99	G	48	K8	47	115	H	56	J11	58
100	G	49	L9	48	116	H	57	H10	59
101	G	50	L10	49	117	H	-	-	-
102	G	51	K9	50	118	H	-	-	-
103	G	52	L11	51	119	H	-	-	-
104	G	53	K10	55	120	H	-	-	-
105	G	-	-	-	121	H	-	-	-
106	G	-	-	-	122	H	-	-	-
107	G	-	-	-	123	H	-	-	-
108	G	-	-	-	124	H	-	-	-
109	G	-	-	-	125	H	-	-	-
110	G	-	-	-	126	H	-	-	-
111	G	-	-	-	127	H	-	-	-
112	G	-	-	-	128	H	-	-	-

Table 10. EPM5192A I/O Pin-Outs (Part 3 of 3)

MC	LAB	84-Pin J-Lead	84-Pin PGA	100-Pin QFP	MC	LAB	84-Pin J-Lead	84-Pin PGA	100-Pin QFP
129	I	58	H11	60	145	J	64	F11	66
130	I	59	F10	61	146	J	65	E11	67
131	I	62	G9	64	147	J	67	E9	70
132	I	63	F9	65	148	J	68	D11	71
133	I	-	-	-	149	J	-	-	-
134	I	-	-	-	150	J	-	-	-
135	I	-	-	-	151	J	-	-	-
136	I	-	-	-	152	J	-	-	-
137	I	-	-	-	153	J	-	-	-
138	I	-	-	-	154	J	-	-	-
139	I	-	-	-	155	J	-	-	-
140	I	-	-	-	156	J	-	-	-
141	I	-	-	-	157	J	-	-	-
142	I	-	-	-	158	J	-	-	-
143	I	-	-	-	159	J	-	-	-
144	I	-	-	-	160	J	-	-	-
161	K	69	D10	72	177	L	73	A11	76
162	K	70	C11	73	178	L	74	B10	77
163	K	71	B11	74	179	L	75	B9	81
164	K	72	C10	75	180	L	76	A10	82
165	K	-	-	-	181	L	77	A9	83
166	K	-	-	-	182	L	78	B8	84
167	K	-	-	-	183	L	79	A8	85
168	K	-	-	-	184	L	80	B6	86
169	K	-	-	-	185	L	-	-	-
170	K	-	-	-	186	L	-	-	-
171	K	-	-	-	187	L	-	-	-
172	K	-	-	-	188	L	-	-	-
173	K	-	-	-	189	L	-	-	-
174	K	-	-	-	190	L	-	-	-
175	K	-	-	-	191	L	-	-	-
176	K	-	-	-	192	L	-	-	-