

KLP-34M-X-X

KLP-34M is a 3 in 1 full color LED.

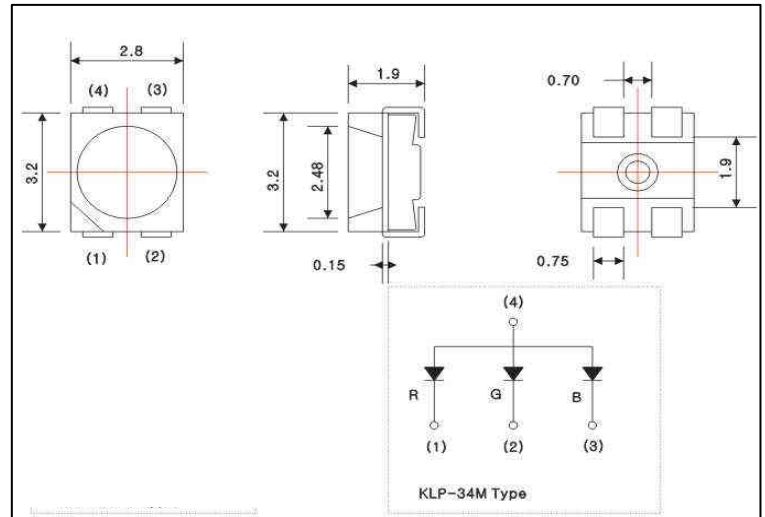
Features

- Transparent epoxy Encapsulent
- High Optical Output

Applications

- Display
- Indicator
- Signage

DIMENSIONS



Maximum Ratings

[Ta=25°C]

Parameter	Symbol	Ratings	Unit
Reverse Voltage	V_R	5	V
Forward current	I_F	30	mA
Pulse forward current *1	I_{FP}	0.1	A
Power dissipation	P_D	90	mW
Operating temperature	$T_{opr.}$	-30 ~ +85	°C
Storage temperature	$T_{stg.}$	-40 ~ +105	°C
Soldering Temperature *2	$T_{sol.}$	260	°C

*1. I_{FP} Measured under duty ϵ 1/10 @ 1KHz

*2. Soldering time ϵ 5 Sec

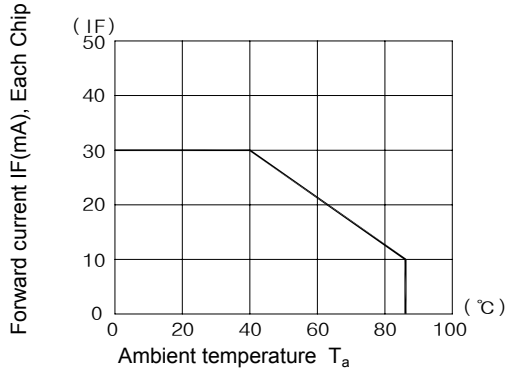
Electro-Optical Characteristics

[Ta=25°C]

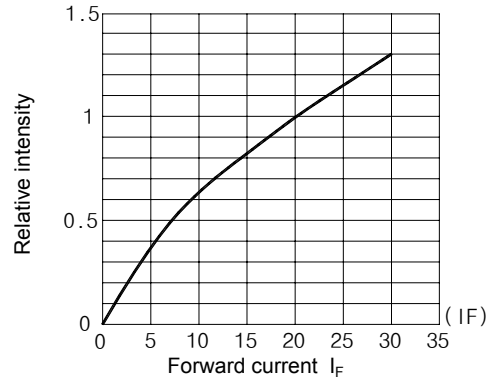
Parameter	Symbol	Conditions	Typical Value			Unit
			RED	GREEN	BLUE	
Forward voltage	V_F	$I_F = 20$ mA/Die	2	3.3	3.2	V
Optical Output Power	P_o	$I_F = 20$ mA/Die	5.50	4.50	8.5	mW
	I_v		350	750	200	mcd
Peak emission wavelength	λ_p	$I_F = 20$ mA/Die	630	520	468	nm
Doninant Wave Length	λ_d	$I_F = 20$ mA/Die	625	525	470	nm
Spectral half bandwidth	$\Delta\lambda$	$I_F = 20$ mA/Die	20	30	25	nm
Half angle	$\Delta\theta$	$I_F = 20$ mA/Die	-	110	-	deg.

KLP-34M-X-X

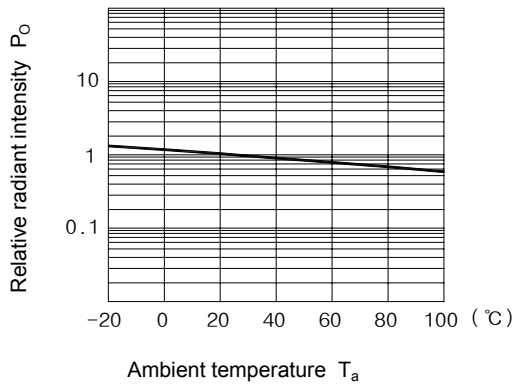
Forward current vs. Ambient temperature



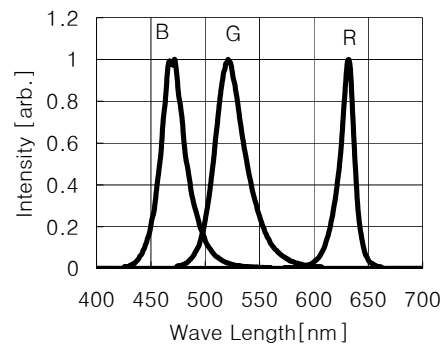
Radiant Intensity vs. Forward current



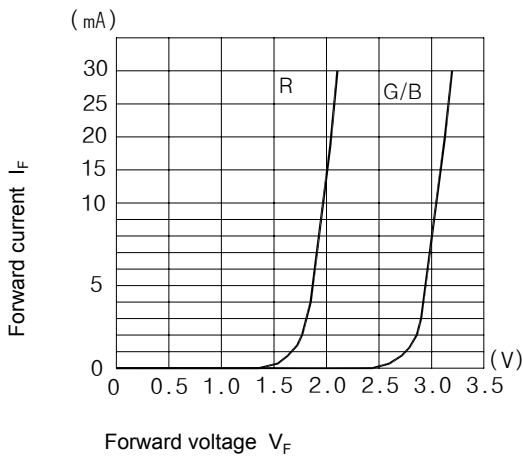
Relative radiant intensity vs. Ambient temperature



Relative intensity vs. Wavelength



Forward current vs. Forward voltage



Radiant Pattern

