



4-CH MELODY WITH VOICE SYNTHESIZER (BandDirector™ Family)

GENERAL DESCRIPTION

The W561xxx is one of the derivatives of the BandDirector™ family. It consists of a 4-bit μ C, two voice synthesizers, one 4-CH Melody generator, and one shared ROM.

The multi-tasking operation for voice synthesis and 4-CH Melody generation is implemented by dedicated H/W that can output the speech voice in parallel with the background music. With the 4 bit kernel, which can execute instructions of up to 12 KIPS (Kilo-Instructions Per Second), and high quality dual speaker output, you will be amazed at the possible applications. W561xxx provides you with a total solution in one chip.

In addition, the W561xxx's user-friendly development environment can effectively reduce your design period and help you easily tool your projects by yourself with the ICE and emulation kit.

There are 10 kinds of W561xxx IC bodies (see table below).

PART NO.	W561S15	W561S20	W561S25	W561S30	W561S40
Duration	15 sec	20 sec	25 sec	30 sec	40 sec
PART NO.	W561S50	W561S60	W561S80	W561S99	W561M02
Duration	50 sec	60 sec	80 sec	100 sec	120 sec

Note: The voice durations are estimated by 8.0 KHz sampling rate

Possible applications are:

- Programmed voice synthesis with background music or speech
- I/O interactive voice synthesis to accompany background music or speech
- Demo of music songs with possible dynamic timbre/tempo changes during playback
- Q&A games
- Edutainment toys

FEATURES

- Multi-engine processor parallel management with μ C, speech and PCM Melody
 - μ C // (Synthesizer1 or 4-CH Melody) // Synthesizer2 (//: in parallel)
 - μ C, with basic ALU, 64-nibble RAM (including 8 working registers) and an 8-bit timer
 - Synthesizer1 capable of voice syntheses with Sample rate @4.8/6/8/12 KHz
 - Synthesizer2, same as synthesizer1
 - 4-CH Melody with total 16 Kbyte Timbre table, which can store up to 16 kinds of timbre samples.
 - The on-chip ROM is shared among program, voices and melody notes
- Wide operating voltage range: 2.4 to 5.5 volts
- Low power consumption ($V_{DD} = 5$ Volt)
 - Standby current $< 2 \mu$ A



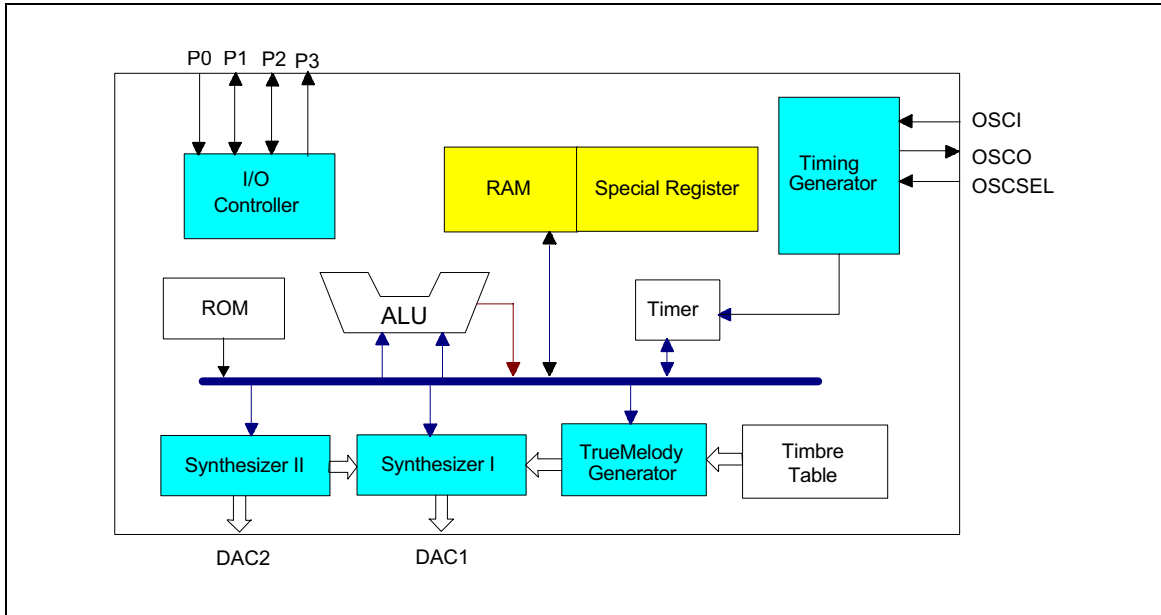
- Operating current (no load with ring oscillator) < 1 mA
- Main oscillator: Crystal/ Ring oscillation selectable by pin option
- Input/ Output port
 - Port for input only: 1 port/4 pins
 - Input/ Output ports: 2 ports/8 pins
 - Port for output only: 1 port/4 pins
 - Can offer a direct row and column matrix of up to 72 (8 × 9) keys
- Interrupts
 - Internal interrupts: Timer
 - External interrupts: TG (port 0, port1), POI (Power On Initialization)
 - Priority: POI > TG > Timer
- DAC1/2 provided for stereo voice output
- Melody + Voice output for DAC1
- TG interrupt provided
 - Shared TG interrupt for Port0/Port1 input.
 - Global TG interrupt enable controlled (bit3 of the IER register)
 - Individual interrupt enable controlled (PER0 and PER1 registers)
- Built-in 8 bit programmable down count timer
 - One of two internal clock frequencies can be selected
 - Desired Timer interval = (preset value + 1) × 1/FT
(FT: 32 Hz or 32 KHz dependent on the bit0 of the MODE register, at Fosc = 3 MHz)
- Powerful instruction set:
 - Arithmetic: ADD, ADDC, SUB, SUBC, INC, DEC, SETB, CLRB
 - Logic Operation: AND, OR, XOR, NOT
 - Shift & Rotate: RORC, ROLC, SHRC, SHLC
 - Data move: LD, LDR, MV
 - Branch: JP, JB0, JB1, JB2, JB3, JZ, JNZ, JC, JNC, JBZ1, JBZ2, CJNE, CJE, DJNZ, DJZ
 - Subroutine: CALL, RTN, RTI
 - Others: NOP, END, EN INT, DIS INT, PLAY CH1, STOP CH1, STOP CH2
- 8-level STACK shared by CALL, Timer, Synthesizer and TG
- Dynamic register controlled by LD instructions
 - Volume control (VOL1/VOL2 registers for DAC 1/2)
 - Melody Timbre control (Timbre0/1/2/3 registers for CH0/1/2/3)
 - Melody Speed control (Tempo register)
- 4-CH Melody with
 - Timbre-based melody synthesis
 - Note number : only limited by ROM size
 - Timbre ROM size: 16 Kbyte



- Note span: 49 notes, 4 octaves
- 9 kinds of timbre size: 1K/2K/3K/4K/6K/8K/10K/12K/16K bytes per timbre
- 7 kinds of loop size: one-shot /128/256/512/1K/2K/4K bytes per timbre
- 6 kinds of note sustainments (1/4, 1/2, 1, 4/3, 2, 4 sec)
- 4 kinds of envelope effect
- User-defined timbre library to achieve various kind of instrument effects
- Midi-conversion utility provided
- Multi-tasking operation via interrupt for automatic voice segment concatenation
 - Melody voice or Speech voice can be easily concatenated with symbol "+"
 - Example: PLAY CH1, H4 + Melody1 + Speech1 + Speech2 + Melody2 + T4
The DAC1 of the W561xxx will play Melody1, Speech1, Speech2, and Melody2 sequentially.
- The length of the voice segment is only limited by the ROM size
- Speech section control
 - Fading effect, eight levels of volume control (0-7)
 - Sample rate control (4.8K/6K/8K/12K)
 - Example: PLAY CH2, H4 + speech1_SV + T4; S: define the sample rate, V: define the volume
- Provides ICE (In Circuit Emulation) system for easy debugging
 - Free Run
 - Stop Run
 - Program Reset
 - Step Into
 - Step Over
 - Go To Cursor
 - Break point
 - Register read/ modify



BLOCK DIAGRAM



PAD DESCRIPTION

PARAMETER	I/O	DESCRIPTION
TEST	I	Test pin, internally pulled low
P0.0–P0.3	I	Interruptable input pins, internally pulled high.
P1.0–P1.3	I/O	I/O multiplexed port 1. The port 1 is interruptable, if selected as input pins
P2.0–P2.3	I/O	I/O multiplexed port 2.
P3.0–P3.3	O	Output port 3.
V _{SS}	-	Negative power supply.
RESET	I	Reset all, functions as POR (Power On Reset), internally pulled high.
V _{DD}	-	Positive power supply.
OSCI	I	Connect Rosc to VDD or Crystal between OSCI & OSCO to generate the 3 MHz master frequency.
OSCO	O	
DAC1	O	Current output of channel 1 for driving an external speaker
DAC2	O	Current output of channel 2 for driving an external speaker
OSCSEL	I	Oscillator type selecting pin, internally kept floating. Connect to VDD to select Crystal type, connect to GND to select ring oscillator type.



ABSOLUTE MAXIMUM RATINGS

PARAMETER	SYMBOL	CONDITIONS	RATED VALUE	UNIT
Power Supply	V _{DD} -V _{SS}	-	-0.3 to +7.0	V
Input Voltage	V _{IN}	All Inputs	V _{SS} -0.3 to V _{DD} +0.3	V
Storage Temp.	T _{STG}	-	-55 to +150	°C
Operating Temp.	T _{OPR}	-	0 to +70	°C

Note: Exposure to conditions beyond those listed under Absolute Maximum Ratings may adversely affect the life and reliability of the device.

ELECTRICAL CHARACTERISTICS

DC Characteristics

(V_{DD}-V_{SS} = 3.0V, F_M = 3 MHz, T_A = 25° C; unless otherwise specified)

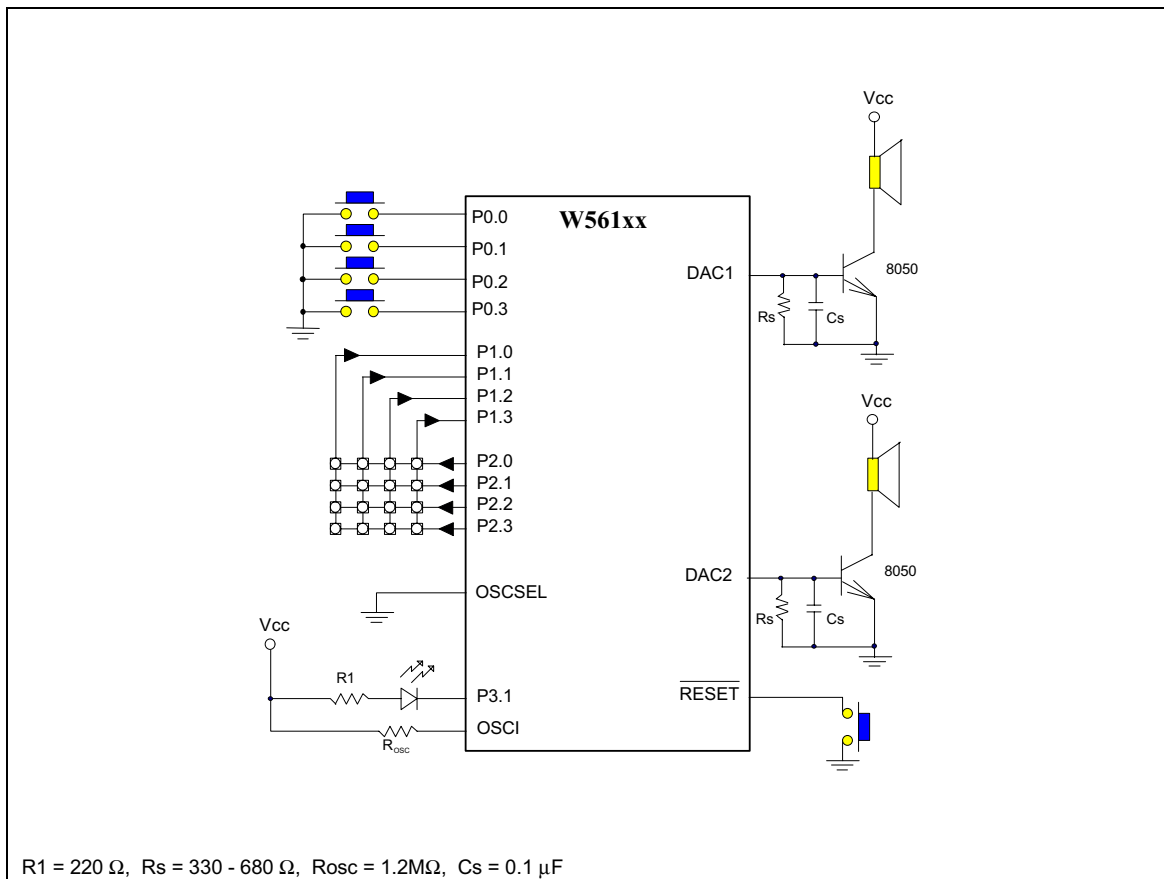
PARAMETER	SYM.	CONDITIONS	MIN.	TYP.	MAX.	UNIT
Operating Voltage	V _{DD}	-	2.4	-	5.5	V
Standby Current	I _{DD1}	No load, No Playing	-	-	2	μA
Operating Current (Crystal Type)	I _{OP1}	No load	-	-	1	mA
Operating Current (Ring Type)	I _{OP2}	No load	-	-	1	mA
Input Low Voltage	V _{IL}	All Input Pins	V _{SS}	-	0.3 V _{DD}	V
Input High Voltage	V _{IH}	All Input Pins	0.7 V _{DD}	-	V _{DD}	V
Input Current for P0, P1, P2	I _{IN}	V _{DD} = 3V, V _{IN} = 0V	-	-	-6	μA
Input Current for RESET	I _{IN1}	V _{DD} = 3V, V _{IN} = 0V	-	-	-6	μA
Output Current of P1, P2, P3	I _{OL}	V _{DD} = 3V, V _{OUT} = 0.4V	5	-	-	mA
	I _{OH}	V _{DD} = 3V, V _{OUT} = 2.7V	-3	-	-	mA
DAC1/2 (D/A full Scale)	I _{DAC}	V _{DD} = 4.5V, R _L = 100Ω	-4.0	-5.0	-6.0	mA
Pull-low Resistor	R _{PL}	TEST, OSCSEL Pins	100	-	-	KΩ



AC Characteristics

PARAMETER	SYM.	CONDITIONS	MIN.	TYP.	MAX.	UNIT
Main-clock Frequency	FM	Ring type, R _{osc} = 1.2 MΩ	2.7	3	3.3	MHz
		Crystal type	-	3	-	
Frequency Deviation by Voltage Drop for Ring Type Oscillator	$\frac{\Delta f}{f}$	$\frac{f(3V) - f(2.4V)}{f(3V)}$	-	-	10	%
Machine Cycle Time	T _{INS}	One machine cycle	1/12	-	1/6	mS
POR Pulse Width	TPOR	-	1	-	-	μS

TYPICAL APPLICATION CIRCUIT





Headquarters

No. 4, Creation Rd. III,
Science-Based Industrial Park,
Hsinchu, Taiwan
TEL: 886-3-5770066
FAX: 886-3-5792697
<http://www.winbond.com.tw/>
Voice & Fax-on-demand: 886-2-27197006

Taipei Office

11F, No. 115, Sec. 3, Min-Sheng East Rd.,
Taipei, Taiwan
TEL: 886-2-27190505
FAX: 886-2-27197502

Winbond Electronics (H.K.) Ltd.
Rm. 803, World Trade Square, Tower II,
123 Hoi Bun Rd., Kwun Tong,
Kowloon, Hong Kong
TEL: 852-27513100
FAX: 852-27552064

Winbond Electronics North America Corp.
Winbond Memory Lab.
Winbond Microelectronics Corp.
Winbond Systems Lab.
2727 N. First Street, San Jose,
CA 95134, U.S.A.
TEL: 408-9436666
FAX: 408-5441798

Note: All data and specifications are subject to change without notice.

Publication Release Date: February 1999
Revision A2