

0.72W AUDIO POWER AMPLIFIER—YD7368

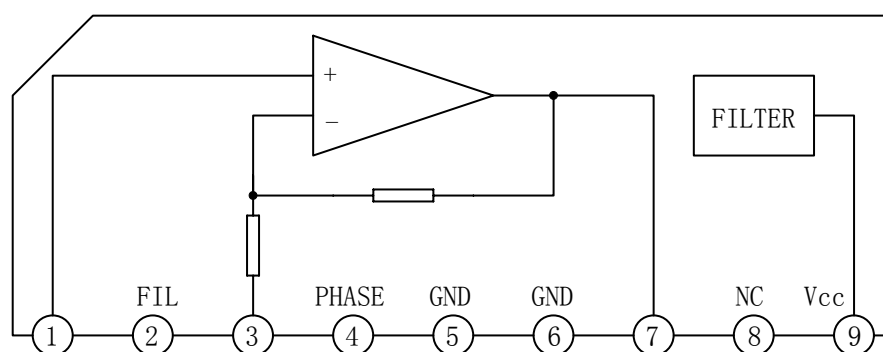
DESCRIPTION

The YD7368 is suitable for audio power amplifier of portable cassette tape recorder and radio.

FEATURES

- *Very few external components (only three capacitors);
- *Low quiescent current;
- *High voltage gain: $G_v=40\text{dB}$;

BLOCK DIAGRAM



WuXi YouDa Electronics Co., Ltd

Add: No.5 Xijin Road, National Hi-Tech Industrial Development Zone, Wuxi Jiangsu China

Tel: 86-510-85205117 86-510-85205106 Fax: 86-510-85205110 Website: www.e-youda.com

SHENZHEN OFFICE Tel: 86-755-83740369 Fax: 86-755-83741418

YOU DA INTEGRATED CIRCUIT

YD7368

ABSOLUTE MAXIMUM RATINGS (Tamb=25°C)

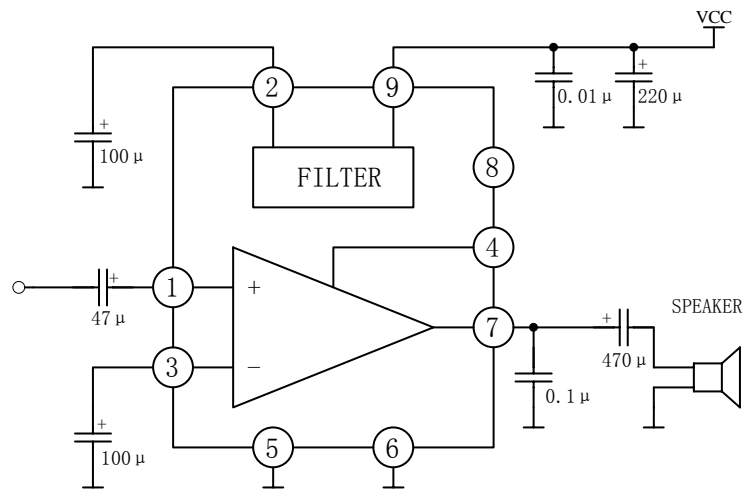
| PARAMETER | SYMBOL | VALUE | UNIT |
|-----------------------|--------|------------|------|
| Supply Voltage | Vcc | 14 | V |
| Output Peak Current | Iop | 1.5 | A |
| Power dissipation | Pd | 900 | mW |
| Operating Temperature | Topr | -20 to +75 | °C |
| Storage Temperature | Tstg | -55 to 150 | °C |

ELECTRICAL CHARACTERISTICS

(Tamb=25°C, Vcc=6V, RL=4Ω, Rg=600Ω, f=1kHz, Unless otherwise specified)

| PARAMETER | SYMBOL | TEST CONDITIONS | MIN | TYP | MAX | UNIT |
|---------------------------|--------|-----------------------------------|-----|------|-----|------|
| Quiescent Circuit Current | Iccq | Vcc=3V, Vi=0 | | 5.5 | | mA |
| | | Vcc=6V, Vi=0 | | 6.6 | | |
| | | Vcc=9V, Vi=0 | | 7.5 | | |
| Output Power | Po | Vcc=3V, RL=4Ω, THD=10% | | 120 | | mW |
| | | Vcc=6V, RL=4Ω, THD=10% | 500 | 720 | | |
| | | Vcc=6V, RL=8Ω, THD=10% | 300 | 450 | | |
| | | Vcc=9V, RL=8Ω, THD=10% | 800 | 1100 | | |
| | | Vcc=9V, RL=16Ω, THD=10% | 450 | 610 | | |
| Total Harmonic Distortion | THD | Po=100mW | | 0.3 | 1.0 | % |
| Voltage Gain | Gv | Vo=0.5mVrms | 37 | 40 | 43 | dB |
| Output Noise Voltage | VNO | RG=10kΩ, BPF=20Hz~20kHz | | 0.2 | 0.5 | mV |
| Ripple Rejection | RR | f=100Hz, Vr=0.3Vrms, without Crip | | 25 | | dB |
| Input Resistance | Zi | | | 27 | | kΩ |

APPLICATION CIRCUIT



OUTLINE DRAWING

SIP9-P-2.54A

Unit : mm

