

PLEASE CHECK WWW.MOLEX.COM FOR LATEST PART INFORMATION

Part Number: [0357110610](#)
Status: **Active**
Description: 2.79mm (.110") Slip-In Receptacle, Quick Disconnect, 0.50mm (.020") Tab Thickness, Wire Range 20-22 AWG (0.52-0.33mm²), Post-Tin Plated

Documents:

[Drawing \(PDF\)](#) [Product Specification PS-35711-001 \(PDF\)](#)
[Product Specification PS-35112-001 \(PDF\)](#) [RoHS Certificate of Compliance \(PDF\)](#)

General

Product Family	Quick Disconnects
Series	35711
Crimp Quality Equipment	Yes
Product Name	Slip-On
Type	Quick Disconnect

Physical

Barrel Type	Open
Gender	Female
Glow-Wire Compliant	No
Insulation	None
Lock to Mating Part	None
Material - Metal	Brass
Material - Plating Mating	Tin
Material - Plating Termination	Tin
Orientation	Straight
Packaging Type	Reel
Plating min: Mating (µin)	40
Plating min: Mating (µm)	1
Plating min: Termination (µin)	40
Plating min: Termination (µm)	1
Polarized to Mating Part	No
Tab Thickness	0.51mm (.020")
Tab Width	2.79mm (.110")
Temperature Range - Operating	-40°C to +120°C
Termination Interface: Style	Crimp or Compression
Wire Insulation Diameter	1.50-2.40mm (.059-.095") max.
Wire Size AWG	20, 22
Wire Size mm ²	0.33 - 0.52

Electrical

Voltage - Maximum	Per Wire Specification
-------------------	------------------------

Material Info

Reference - Drawing Numbers

Product Specification	PS-35112-001, PS-35711-001
Sales Drawing	SD-35711-060

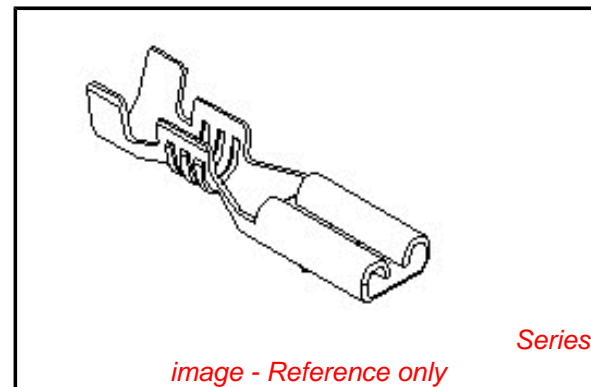


image - Reference only

EU RoHS

ELV and RoHS Compliant
REACH SVHC
Contains SVHC: No
Halogen-Free Status

China RoHS

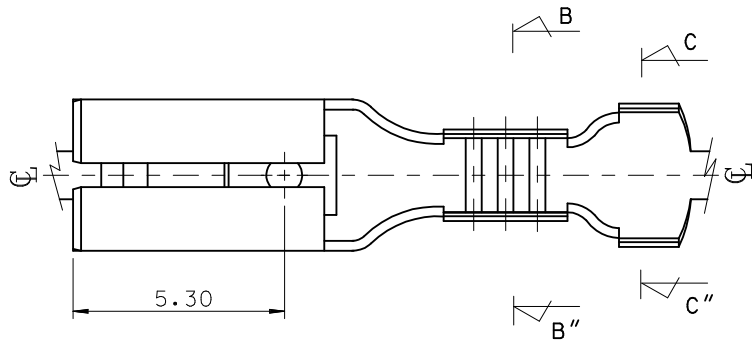


Need more information on product environmental compliance?

Email productcompliance@molex.com
 For a multiple part number RoHS Certificate of Compliance, [click here](#)

Please visit the [Contact Us](#) section for any non-product compliance questions.

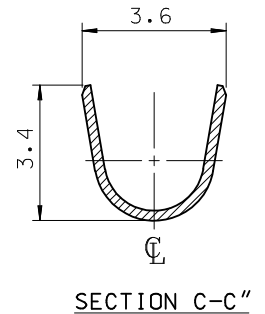
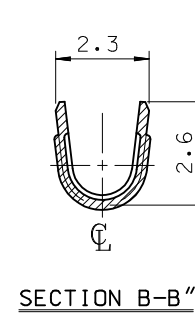
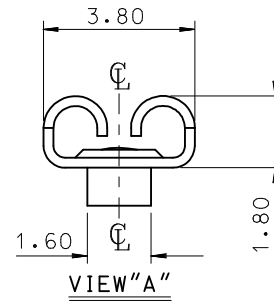
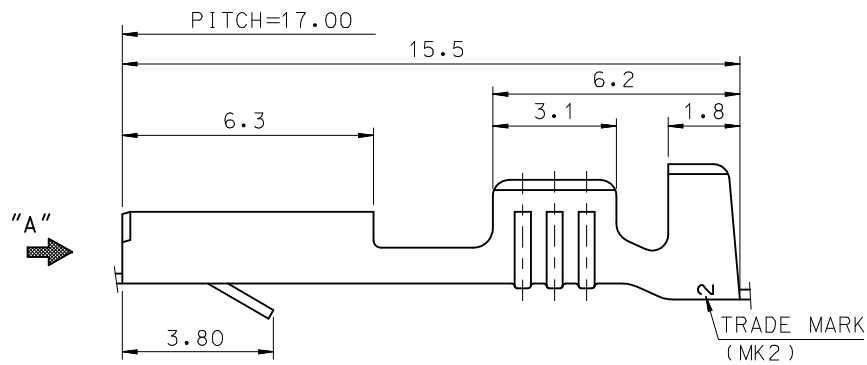
Search Parts in this Series
[35711Series](#)



NOTES.

1. MATERIAL : BRASS
2. FINISHES : SEE TABLE
0.8~1.8 μm TIN PLATING
OVERALL 0.3~0.8μm COPPER PLATING
3. PRODUCT SPECIFICATION : PS-35711-001, PS-35112-001
4. MATES WITH : SEE TABLE
5. APPLICABLE WIRE RANGE : AWG #22~#20

MATERIAL NO.	ENG NO.	FINISH	MATING TAB
357110600	35711-0600	UNPLATED	0.5 mm
357110610	35711-0610	ⓄPRE-TIN PLATED	
357110601	35711-0601	UNPLATED	0.45 mm
357110611	35711-0611	ⓄPRE-TIN PLATED	



REVISED EC NO: KOR2009-0111 DRWN: JHPARK01 2009/01/30 CHKD: W. YANG 2009/01/30 APPR: YUNSIKKIM 2009/01/30	QUALITY SYMBOLS ▽=0 ▽=0	GENERAL TOLERANCES (UNLESS SPECIFIED)		DIMENSION STYLE MM ONLY		SCALE 8:1	DESIGN UNITS METRIC	THIRD ANGLE PROJECTION	
		4 PLACES ± --- ± ---	mm INCH	DRAWN BY WY. YANG	DATE 1993/04/15	TITLE .110 SLIP-IN RECEPTACLE			
		3 PLACES ± --- ± ---		CHECKED BY BK. CHOI	DATE 1993/04/15	MOLEX INCORPORATED			
		2 PLACES ± --- ± ---		APPROVED BY CW. LEE	DATE 1993/04/15	MATERIAL NO. SEE TABLE	DOCUMENT NO. SD-35711-060	SHEET NO. 1 OF 01	
		1 PLACE ± 0.30 ± ---		ANGULAR ± ---°		THIS DRAWING CONTAINS INFORMATION THAT IS PROPRIETARY TO MOLEX INCORPORATED AND SHOULD NOT BE USED WITHOUT WRITTEN PERMISSION			
DRAFT WHERE APPLICABLE MUST REMAIN WITHIN DIMENSIONS									