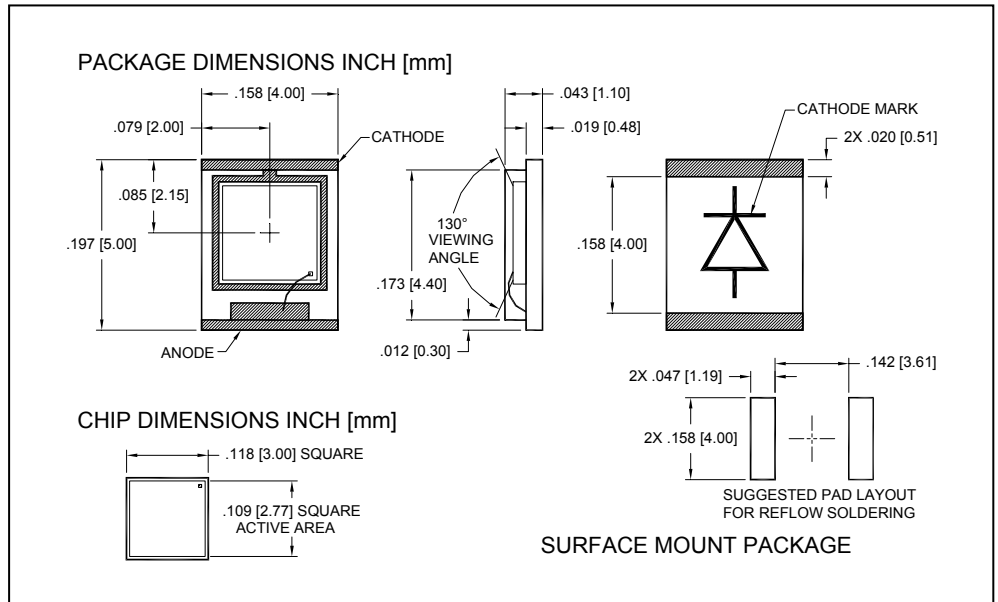
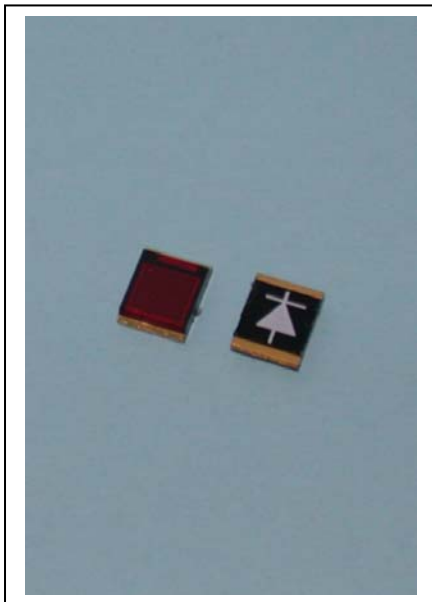


PDV-C173SM

Photodiode in Plastic Surface Mount Package



FEATURES

- Surface mount
- Photoconductive
- Low cost
- High speed

DESCRIPTION

The **PDV-C173SM** is a blue enhanced PIN silicon photodiode ideal for high speed photoconductive or photovoltaic applications packaged in a red plastic surface mount package.

APPLICATIONS

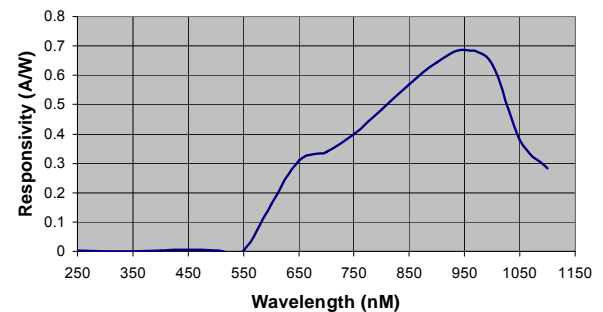
- Photointerrupters
- Oximeter sensors
- Barcode
- Glucometers

ABSOLUTE MAXIMUM RATING (TA)= 23°C UNLESS OTHERWISE NOTED

SYMBOL	PARAMETER	MIN	MAX	UNITS
V_{BR}	Reverse Voltage		60	V
T_{STG}	Storage Temperature	-55	+100	°C
T_O	Operating Temperature	-40	+80	°C
T_S	Soldering Temperature*		+260	°C

* 1/16 inch from case for 3 seconds max.

SPECTRAL RESPONSE



ELECTRO-OPTICAL CHARACTERISTICS RATING (TA)= 23°C UNLESS OTHERWISE NOTED

SYMBOL	CHARACTERISTIC	TEST CONDITIONS	MIN	TYP	MAX	UNITS
I_{SC}	Short Circuit Current	H = 100 fc, 2850 K		90		μA
I_D	Dark Current	$V_R = 10 V$		4	30	nA
R_{SH}	Shunt Resistance	$V_R = 10 mV$		400		$M\Omega$
C_J	Junction Capacitance	$V_R = 10 V, f = 1 MHz$		15		pF
λ_{range}	Spectral Application Range	Spot Scan	600		1050	nm
V_{BR}	Breakdown Voltage	$I = 10 \mu A$	60			V
NEP	Noise Equivalent Power	$V_R = 10V @ \lambda = Peak$		4×10^{-14}		W / \sqrt{Hz}
t_r	Response Time	$RL = 1K\Omega, V_R = 10 V$		20		nS

**Response time of 10% to 90% is specified at 660nm wavelength light.

Information in this technical datasheet is believed to be correct and reliable. However, no responsibility is assumed for possible inaccuracies or omission. Specifications are subject to change without notice.