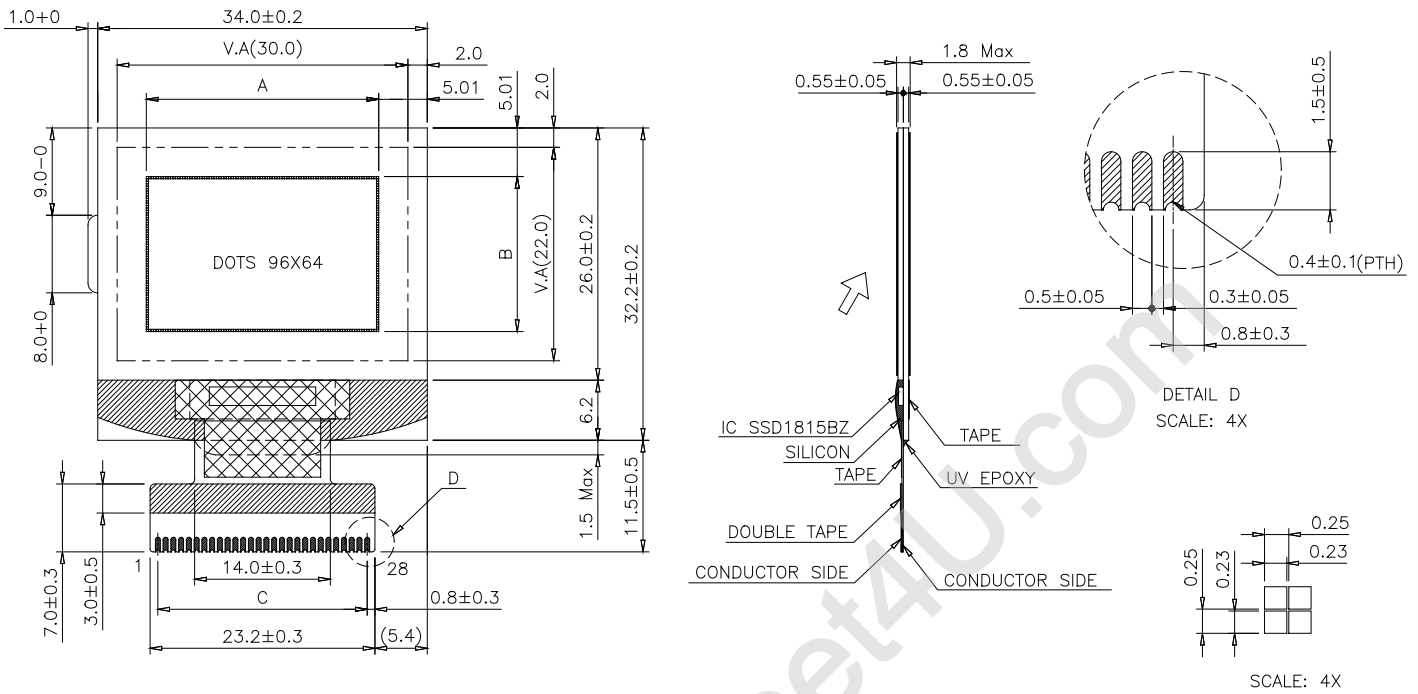


液晶之友 电话: 020-33819057
 Http://www.lcdfriends.com

PE 9664-001



Features:

- Resolution: 96S *64C Dots
- Duty ratio: 1/65
- LCD option: FSTN
- Backlight option(H2/H1mm):None (-/1.8)
- Controller IC:SSD1815BZ

Pin Assignment		
Pin no.	Symbol	Function
1	Vdd	Power Supply
2	C68/86	Switch to 6800 or 8080 MPU interface
3	Vss	Ground
4-8	VL6-VL2	Multi-level power supply for LCD
9	C2P	Capacitor selection to DC/DC voltage
10	C2N	Capacitor selection to DC/DC voltage
11	C1N	Capacitor selection to DC/DC voltage
12	C1P	Capacitor selection to DC/DC voltage
13	C3N	Capacitor selection to DC/DC voltage
14	Vee	Negative voltage supply for LCD
15	Vss	Ground
16-23	D7-D0	Data bus line
24	E/RD	Read enable
25	R/W	Read/Write selection
26	D/C	Common/ Data select
27	/RES	Reset
28	/CS1	Chip selection

Absolute Maximum Rating									
Item	Symbol	Condition	Min.	Max.	Units				
Supply for logic voltage	Vdd-Vss	25°C	-0.3	4.0	V				
LCD driving supply voltage	Vdd-Vee	25°C	-12.0	-1.8	V				
Input voltage	Vin	25°C	-0.3	Vdd+0.3	V				
Electrical Characteristics									
Item	Symbol	Condition	Min.	Typical	Max.	Units			
Power supply voltage	Vdd-Vss	25°C	-	3.3	-	V			
		Top	N	W	N	W	N	W	V
LCD operation voltage	Vop	-	-	-	-	-	V		
		0°C	-	-	-	-	-	V	
		25°C	-	8.8	-	9.0	-	9.2	V
		50°C	-	-	-	-	-	V	
70°C	-	-	-	-	-	V			
LCM current consumption (No B/L)	Idd	Vdd=3.3V	-	0.15	0.23	mA			
Backlight current consumption	-	-	-	-	-	mA			