

3KV - REINFORCED TRANSFORMERS FOR CONEXANT'S SMARTDAA™

- ① SMARTDAA is a Trade mark of Conexant Systems
- ② Reinforced Insulation Per UL1950/CSA950/IEC60950
- ③ 3750Vrms Minimum Isolation Voltage
- ④ Matched to Conexants Chips
- ⑤ 3750Vrms Minimum Isolation Voltage

EXTENDED TEMP RANGE

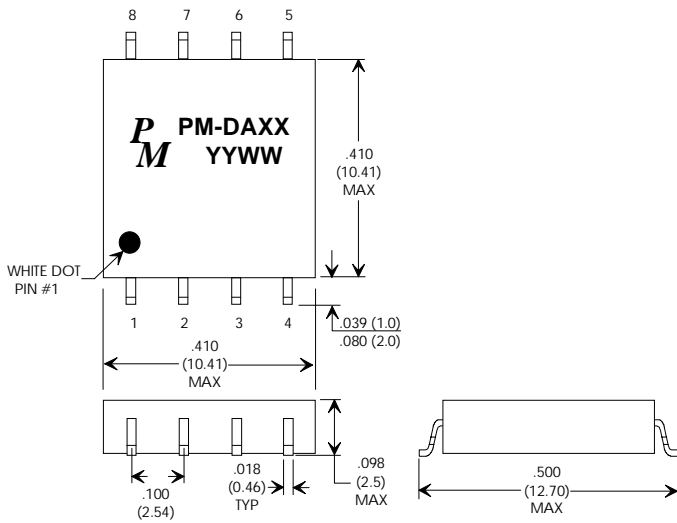
SINGLE CORE

ELECTRICAL SPECIFICATIONS AT 25°C - OPERATING TEMPERATURE RANGE -40°C TO +85°C

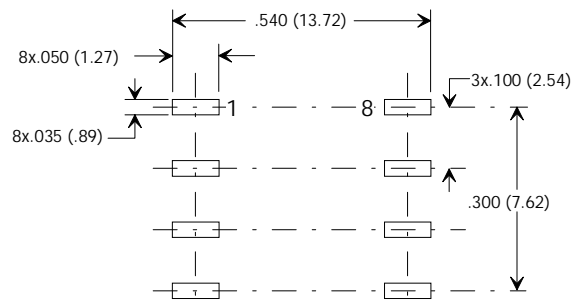
PART NUMBER	TURNS RATIO (Pri:Sec ±5%)	PRIMARY OCL (μH Min.)	PRIMARY L _L (μH Max.)	PRI-SEC Cw/w (pf Max.)	PRIMARY DCR (Ohms Max.)	SECONDARY DCR (Ohms Max.)	Schematic	Primary Pins
PM-DA10	1 : 1.24	45.0	2.0	30	0.180	0.250	A	1-4
PM-DA12	1 : 2.00	45.0	2.0	30	0.180	0.280	A	1-4
PM-DA14	1 : 2.26	45.0	2.0	30	0.180	0.300	A	1-4

MECHANICAL

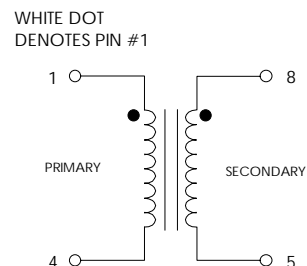
SCHEMATICS



RECOMMENDED P.C.B. LAYOUT
Dimensions in inches (mm)



A



pm-daxx 2/00

PRELIMINARY

Specifications subject to change without notice.