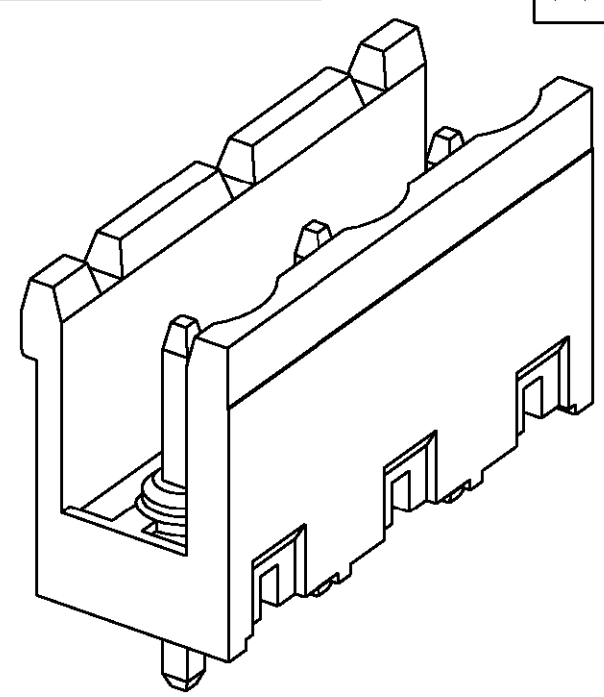
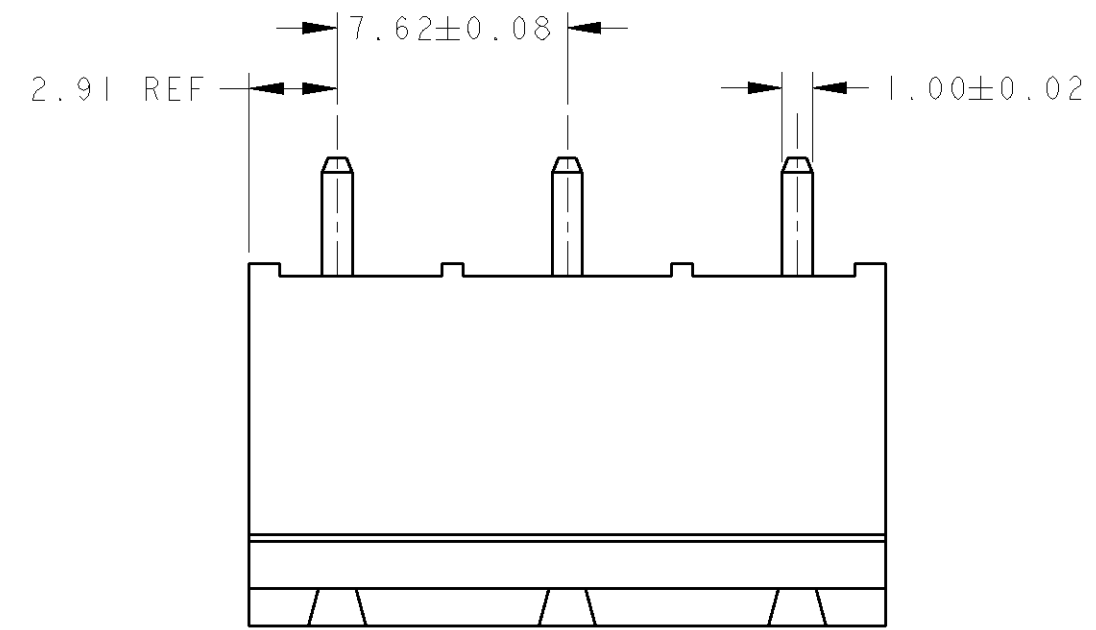


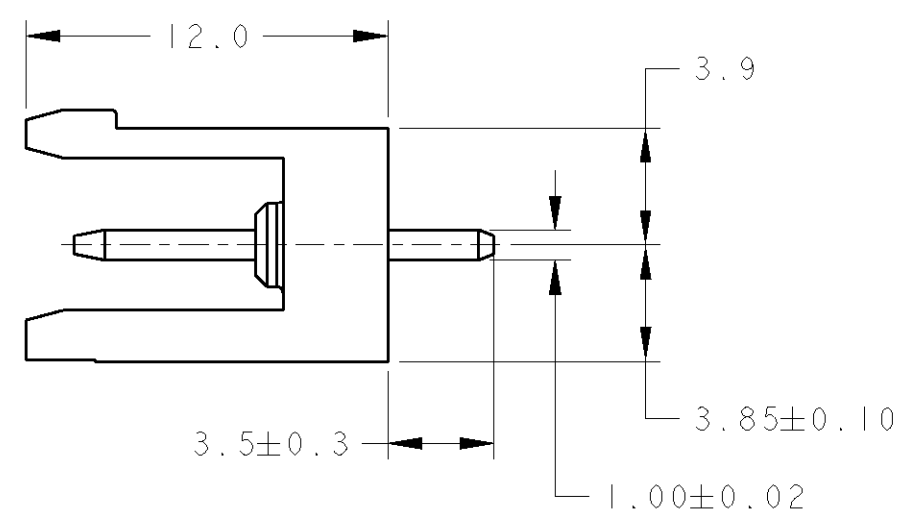
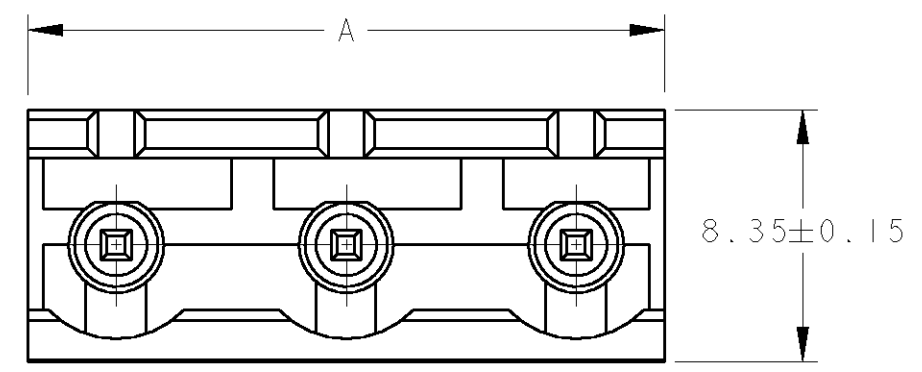
THIS DRAWING IS UNPUBLISHED. RELEASED FOR PUBLICATION 20  
 © COPYRIGHT 20 BY TYCO ELECTRONICS CORPORATION. ALL RIGHTS RESERVED.

| LOC | DIST | REVISIONS   |                          |           |       |
|-----|------|-------------|--------------------------|-----------|-------|
| P   | LTR  | DESCRIPTION | DATE                     | DWN       | APVD  |
| FT  | 0    |             |                          |           |       |
|     |      | C           | REVISED PER 0G3B-0119-01 | 14DEC2001 | EZ DB |
|     |      |             |                          |           |       |
|     |      |             |                          |           |       |



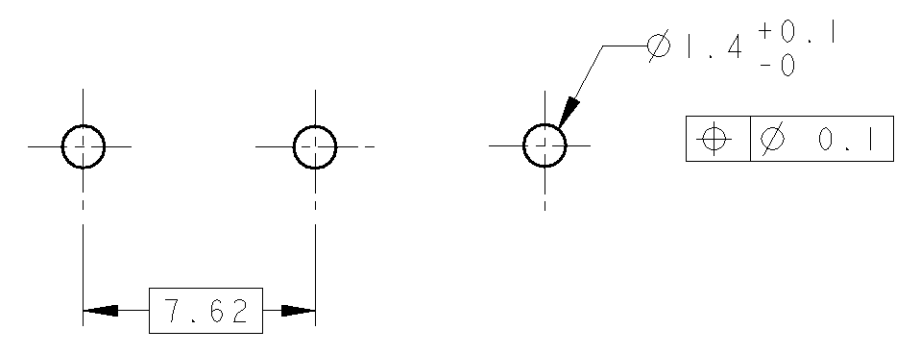
282967-3 AS SHOWN

- 1 MATERIALS AND FINISH  
HOUSING: PA 6-6, UL 94-V0, COLOR GREEN.  
TERMINAL: PHOSPHOR BRONZE, TIN PLATED.
- 2 SUITABLE FOR 1,6-2,4mm PC BOARD THICKNESS.
- 3 RECOGNIZED UNDER THE COMPONENT PROGRAM OF UNDERWRITERS LABORATORIES INC., FILE N° E60677.
- 4 IMQ CERTIFICATE WITH SURVEILLANCE IN CONFORMITY WITH IEC 998-1/998-2-1.
- 5 NOT CUMULATIVE TOLERANCE.



| 89.64  | 12         | 1-282967-2  |
|--------|------------|-------------|
| 82.02  | 11         | 1-282967-1  |
| 74.40  | 10         | 1-282967-0  |
| 66.78  | 9          | 282967-9    |
| 59.16  | 8          | 282967-8    |
| 51.54  | 7          | 282967-7    |
| 43.92  | 6          | 282967-6    |
| 36.30  | 5          | 282967-5    |
| 28.68  | 4          | 282967-4    |
| 21.06  | 3          | 282967-3    |
| 13.44  | 2          | 282967-2    |
| DIM. A | N° OF POS. | PART NUMBER |

RECOMMENDED PC BOARD LAYOUT



|                                                                                                                                                                                                                 |  |                                                                                                                    |  |                                                                       |  |
|-----------------------------------------------------------------------------------------------------------------------------------------------------------------------------------------------------------------|--|--------------------------------------------------------------------------------------------------------------------|--|-----------------------------------------------------------------------|--|
| <small>THIS DRAWING IS A CONTROLLED DOCUMENT FOR TYCO ELECTRONICS CORPORATION<br/>IT IS SUBJECT TO CHANGE AND THE CONTROLLING ENGINEERING ORGANIZATION<br/>SHOULD BE CONTACTED FOR THE LATEST REVISION.</small> |  | DWN E. ZANOLINI 14DEC2001<br>CHK D. BIEVENOUR 14DEC2001<br>APVD D. BIEVENOUR 14DEC2001                             |  | <b>BUCHANAN</b> Tyco Electronics<br>Harrisburg, PA 17105-3608         |  |
| DIMENSIONS: mm<br>                                                                                                                                                                                              |  | TOLERANCES UNLESS OTHERWISE SPECIFIED:<br>0 PLC ±-<br>1 PLC ±.3<br>2 PLC ±.25<br>3 PLC ±-<br>4 PLC ±-<br>ANGLES ±2 |  | PRODUCT SPEC 108-20166<br>APPLICATION SPEC 114-20079<br>WEIGHT -      |  |
| MATERIAL                                                                                                                                                                                                        |  | FINISH                                                                                                             |  | NAME TERMINAL BLOCK HEADER ASSEMBLY<br>180° OPEN ENDS<br>7.62mm PITCH |  |
| CUSTOMER DRAWING                                                                                                                                                                                                |  | SCALE 4:1                                                                                                          |  | SHEET 1 OF 1 REV C                                                    |  |