

PLEASE CHECK WWW.MOLEX.COM FOR LATEST PART INFORMATION

Part Number: [0473634002](#)
Status: **Active**
Description: 1.27mm (.050") Pitch Combo SAS Cable Connector, Right Angle Type, with Arris on both surface, 0.38µm (15µ") Gold(Au) Plating, 22 Circuits, LeadFree

Documents:

[3D Model](#) [Product Specification PS-47362-001 \(PDF\)](#)
[Drawing \(PDF\)](#) [RoHS Certificate of Compliance \(PDF\)](#)

General

Product Family	I/O Connectors
Series	47363
Application	Wire-to-Board
Component Type	Receptacle
Product Name	SAS
Type	N/A

Physical

Boot Color	N/A
Circuits (Loaded)	22
Circuits (maximum)	22
Circuits Detail	Signal 7, Power 15
Durability (mating cycles max)	50
Gender	Receptacle
Keying to Mating Part	Yes
Lock to Mating Part	Yes
Material - Metal	Copper Alloy
Material - Plating Mating	Gold
Material - Plating Termination	Tin
Number of Rows	1
Orientation	Right Angle
PCB Locator	No
PCB Retention	None
Packaging Type	Tray
Panel Mount	No
Pitch - Mating Interface (in)	0.050 In
Pitch - Mating Interface (mm)	1.27 mm
Pitch - Term. Interface (in)	0.050 In
Pitch - Term. Interface (mm)	1.27 mm
Plating min: Mating (µin)	15
Plating min: Mating (µm)	0.38
Plating min: Termination (µin)	50
Plating min: Termination (µm)	1.27
Polarized to Mating Part	Yes
Polarized to PCB	Yes
Ports	2
Temperature Range - Operating	-35°C to +85°C
Termination Interface: Style	Through Hole
Waterproof / Dustproof	No
Wire Size AWG	N/A

Electrical

Current - Maximum per Contact	1.5A
Voltage - Maximum	15V DC

Material Info

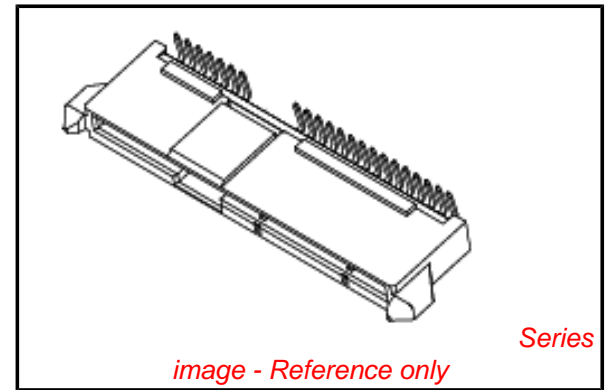


image - Reference only

EU RoHS

**ELV and RoHS
Compliant**
**REACH SVHC
Contains SVHC: No**
**Halogen-Free
Status**

China RoHS



Not Reviewed

**Need more information on product
environmental compliance?**

Email productcompliance@molex.com
For a multiple part number RoHS Certificate of Compliance, [click here](#)

Please visit the [Contact Us](#) section for any non-product compliance questions.

Search Parts in this Series
[47363Series](#)

Reference - Drawing Numbers

Product Specification
Sales Drawing

PS-47362-001
SD-47363-100

This document was generated on 04/02/2010

PLEASE CHECK WWW.MOLEX.COM FOR LATEST PART INFORMATION

F

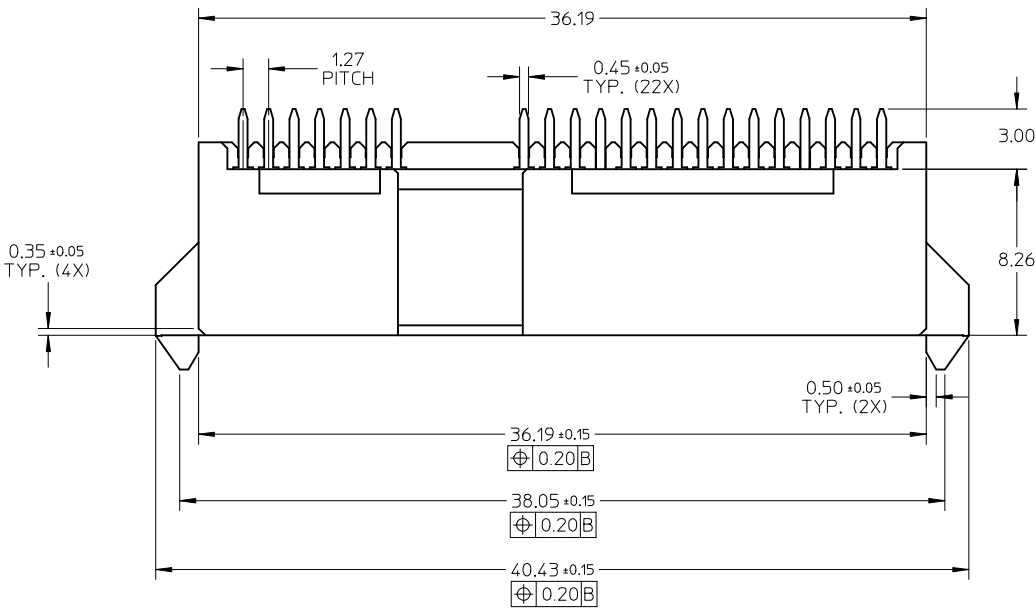
E

D

C

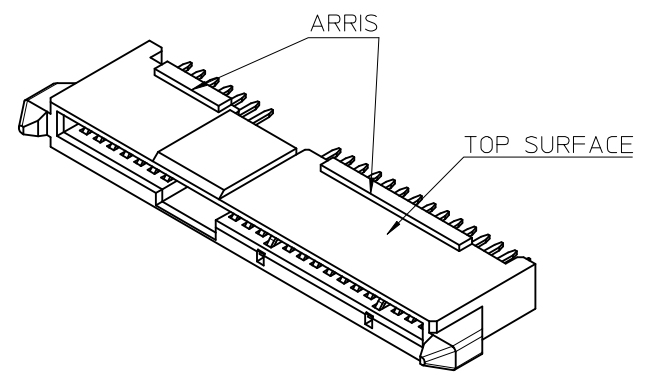
B

A

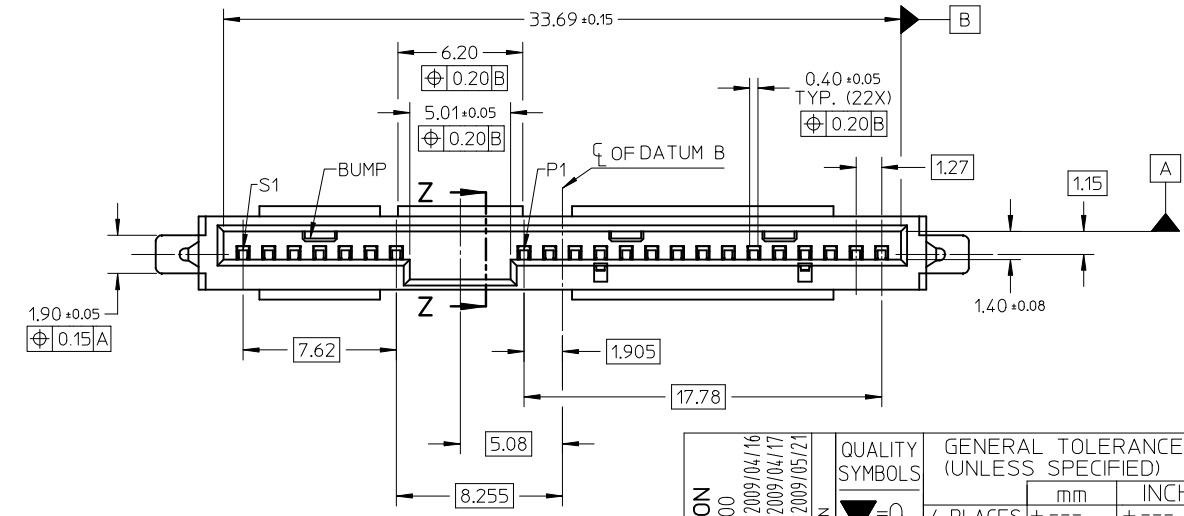
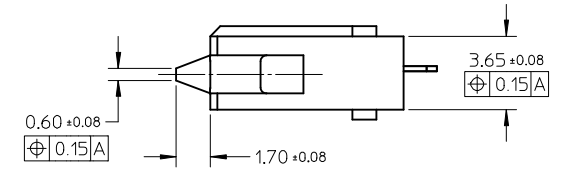


NOTES:

1. MATERIAL:
HOUSING: THERMAL PLASTIC, GLASS FILLED, UL94V-0, COLOR: BLACK.
TERMINAL: COPPER ALLOY, THICKNESS=0.25MM.
2. TERMINAL PLATING:
CONTACT AREA: GOLD PLATED, SEE TABLE.
SOLDER AREA: PURE TIN, THICKNESS=1.27 MICRONS MINIMUM.
UNDER PLATE: NICKLE, THICKNESS=1.27 MICRONS MINIMUM.
3. PRODUCT SPECIFICATION: REFER TO PS-47362-001.
4. PACKAGING METHOD: REFER TO PK-47362-001.
5. PRODUCT COMPLIANT TO RoHS DIRECTIVE 2002/95/EC AND ELV DIRECTIVE 2000/53/EC



STRAIGHT TYPE

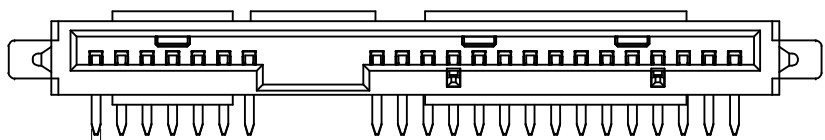
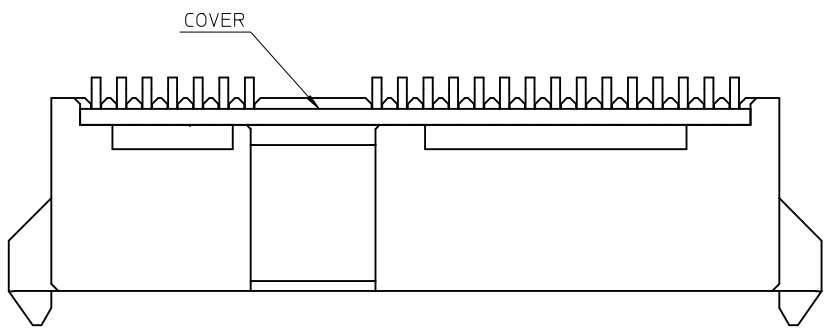
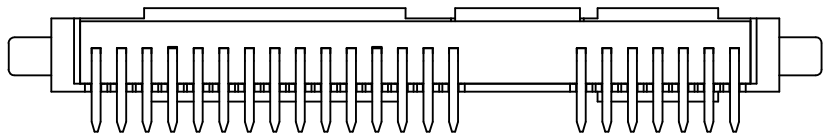


ADD NEW OPTION	EC NO: SH2009-0500	2009/04/16	2009/04/17	2009/05/21
DRWN: XJ SONG	CHKD: XJ SONG	APPR: H WANG	DESCRIPTION	

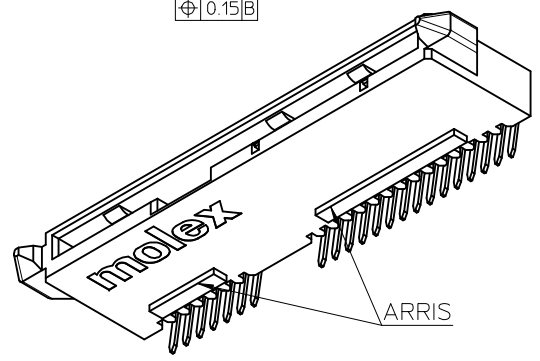
QUALITY SYMBOLS	▽=0
	∇=0

GENERAL TOLERANCES (UNLESS SPECIFIED)	mm	INCH	
	4 PLACES	± 0.15	± 0.006
	3 PLACES	± 0.2	± 0.008
	2 PLACES	± 0.25	± 0.010
	1 PLACE	± 0.3	± 0.012
ANGULAR ± 3°			
DRAFT WHERE APPLICABLE MUST REMAIN WITHIN DIMENSIONS			

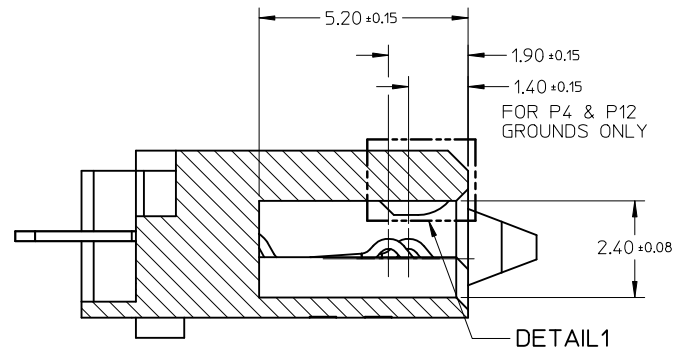
DIMENSION STYLE		SCALE	DESIGN UNITS	THIRD ANGLE PROJECTION
MM ONLY		4:1	METRIC	
DRAWN BY	DATE	TITLE		
BCHEN26	2005/12/05	COMBO SAS RECEPTACLE CABLE END		
CHECKED BY	DATE	MOLEX INCORPORATED		
DIXON	2005/12/05	SD-47363-100		
APPROVED BY	DATE	SHEET NO.		
GRATE	2005/12/05	1 OF 5		
MATERIAL NO.	DOCUMENT NO.	THIS DRAWING CONTAINS INFORMATION THAT IS PROPRIETARY TO MOLEX INCORPORATED AND SHOULD NOT BE USED WITHOUT WRITTEN PERMISSION		
SEE SHEETS				



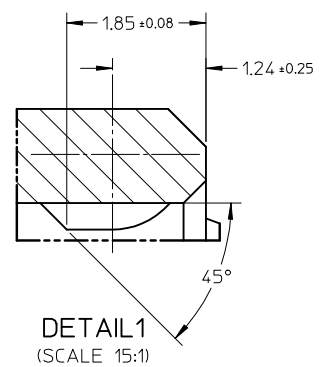
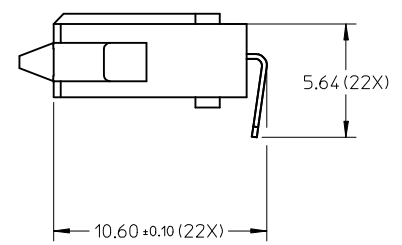
0.45 ±0.05
TYP. (22X)
⌀ 0.15



RIGHT ANGLE(90 DEGREE) TYPE
OTHER DIMENSIONS REFER TO STRAIGHT TYPE

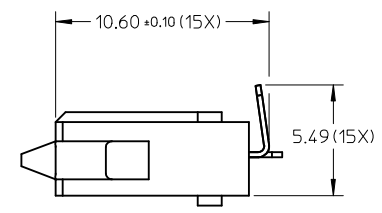
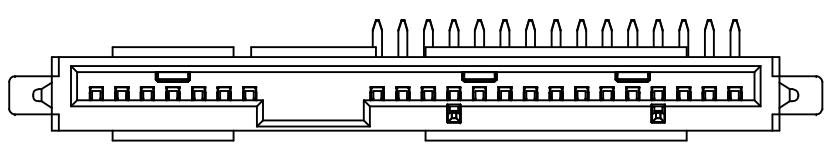
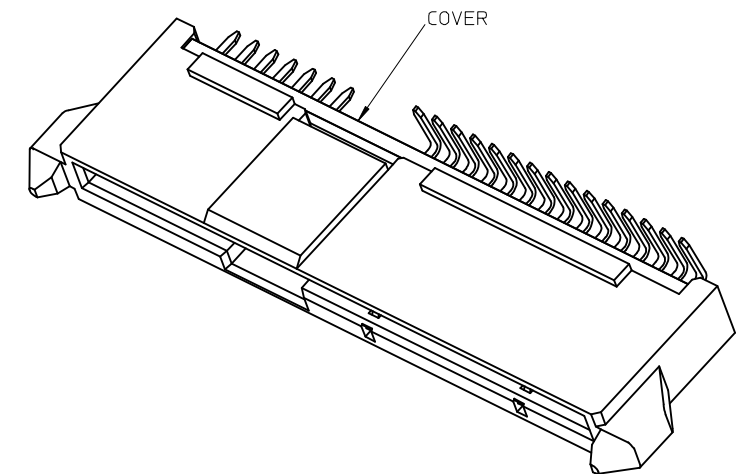
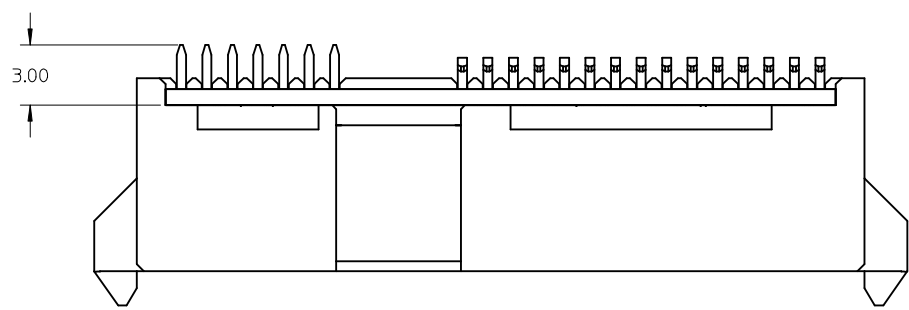


SECTION Z-Z
(SCALE 8:1)



DETAIL 1
(SCALE 15:1)

SEE SHEET 1 EC NO: SHZ009-0500 TDRWNX:J.SONG 2009/04/16 CHKDX:J.SONG 2009/04/17 APPR:HWANG 2009/05/21	QUALITY SYMBOLS	GENERAL TOLERANCES (UNLESS SPECIFIED)		DIMENSION STYLE MM ONLY		SCALE 4:1	DESIGN UNITS METRIC	THIRD ANGLE PROJECTION
	▽=0 ∇=0	mm	INCH	DRAWN BY BCHEN26	DATE 2005/12/05	TITLE COMBO SAS RECEPTACLE CABLE END		
		4 PLACES ± --- ± ---	3 PLACES ± --- ± ---	CHECKED BY DIXON	DATE 2005/12/05	MOLEX INCORPORATED		
		2 PLACES ± 0.2 ± ---	1 PLACE ± 0.25 ± ---	APPROVED BY GRATE	DATE 2005/12/05	DOCUMENT NO. SD-47363-100		
		ANGULAR ± 3 °		MATERIAL NO.		SHEET NO.		
	DRAFT WHERE APPLICABLE MUST REMAIN WITHIN DIMENSIONS		SEE SHEETS		THIS DRAWING CONTAINS INFORMATION THAT IS PROPRIETARY TO MOLEX INCORPORATED AND SHOULD NOT BE USED WITHOUT WRITTEN PERMISSION		2 OF 5	



COMPOSITE TYPE
OTHER DIMENSIONS REFER TO STRAIGHT TYPE OR RIGHT ANGLE(90 DEGREE) TYPE.

SEE SHEET1 EC NO: SHZ009-0500 TDR:WXYJSONG 2009/04/16 CHKD:XJSONG 2009/04/17 APPR:HWANG 2009/05/21	DESCRIPTION REV	QUALITY SYMBOLS	GENERAL TOLERANCES (UNLESS SPECIFIED)		DIMENSION STYLE MM ONLY		SCALE 4:1	DESIGN UNITS METRIC	THIRD ANGLE PROJECTION		
		$\nabla = 0$ $\triangle = 0$	mm	INCH	DRAWN BY BCHEN26	DATE 2005/12/05	TITLE COMBO SAS RECEPTACLE CABLE END				
		4 PLACES ± --- ± ---	3 PLACES ± --- ± ---	2 PLACES ± 0.2 ± ---	1 PLACE ± 0.25 ± ---	CHECKED BY DIXON	DATE 2005/12/05	MOLEX INCORPORATED			
		ANGULAR ± 3 °		DRAFT WHERE APPLICABLE MUST REMAIN WITHIN DIMENSIONS		APPROVED BY GRATE	DATE 2005/12/05	DOCUMENT NO. SD-47363-100		SHEET NO. 3 OF 5	

10 9 8 7 6 5 4 3 2 1

F

E

D

C

B

A

F

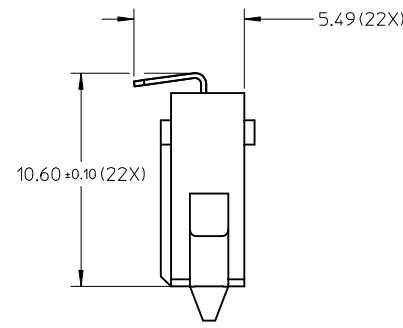
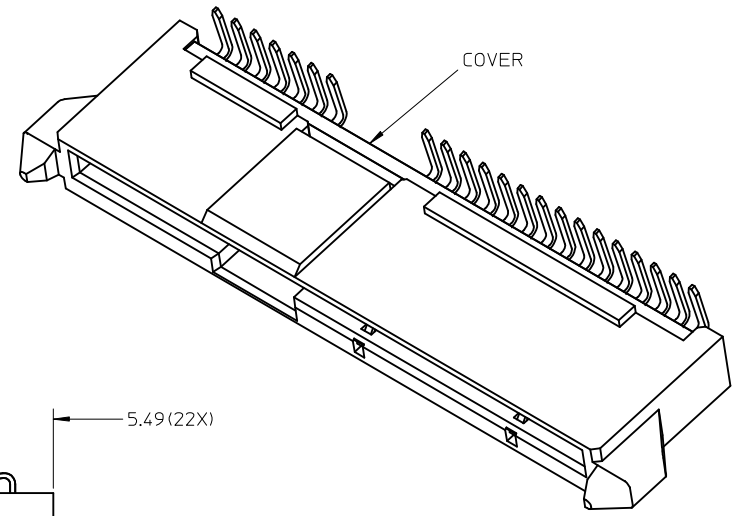
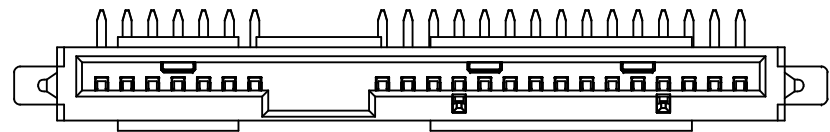
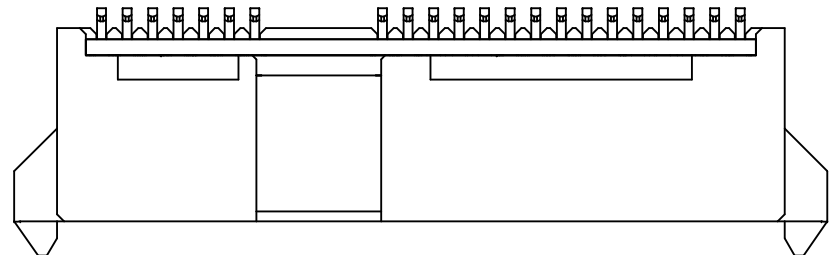
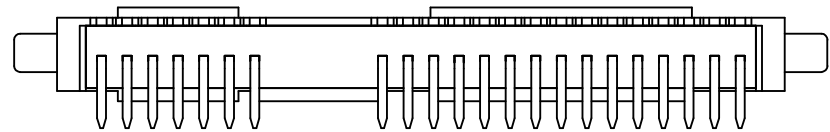
E

D

C

B

A



RIGHT ANGLE(270 DEGREE)TYPE
OTHER DIMENSIONS REFER TO RIGHT ANGLE(90 DEGREE) TYPE.

SEE SHEET1 EC NO: SH2009-0500 2009/04/16 DRWN:XJ SONG 2009/04/17 CHKD:XJ SONG 2009/05/21 APPR:HMWANG	DESCRIPTION REV	QUALITY SYMBOLS	GENERAL TOLERANCES (UNLESS SPECIFIED)	DIMENSION STYLE	SCALE	DESIGN UNITS	THIRD ANGLE PROJECTION		
		$\nabla = 0$ $\sphericalangle = 0$	mm INCH 4 PLACES ± --- ± --- 3 PLACES ± --- ± --- 2 PLACES ± 0.2 ± --- 1 PLACE ± 0.25 ± --- ANGULAR ± 3 °	MM ONLY	4:1	METRIC	DRAWN BY: BCHEN26 DATE: 2005/12/05 CHECKED BY: DATE: DIXON 2005/12/05 APPROVED BY: DATE: GRATE 2005/12/05	TITLE	COMBO SAS RECEPTACLE CABLE END
		DRAFT WHERE APPLICABLE MUST REMAIN WITHIN DIMENSIONS	SEE SHEET 5	MATERIAL NO.	DOCUMENT NO.	SHEET NO.	MOLEX INCORPORATED SD-47363-100 4 OF 5		
		THIS DRAWING CONTAINS INFORMATION THAT IS PROPRIETARY TO MOLEX INCORPORATED AND SHOULD NOT BE USED WITHOUT WRITTEN PERMISSION							

9 8 7 6 5 4 3 2 1

10	9	8	7	6	5	4	3	2	1
P/N	PLATE TYPE	REMARK	STRAIGHT OR R/A	P/N	PLATE TYPE	REMARK	STRAIGHT OR R/A		
47363-1000	GOLD FLASH	WITH ARRIS ON BOTH SURFACE	STRAIGHT TYPE	47363-4000	GOLD FLASH	WITH ARRIS ON BOTH SURFACE WITH COVER	RIGHT ANGLE TYPE (270 DEGREE)		
47363-1001	GOLD PLATED 0.76 MICRONS MIN.			47363-4001	GOLD PLATED 0.76 MICRONS MIN.				
47363-1002	GOLD PLATED 0.38 MICRONS MIN.			47363-4002	GOLD PLATED 0.38 MICRONS MIN.				
47363-1010	GOLD FLASH			47363-4010	GOLD FLASH				
47363-1011	GOLD PLATED 0.76 MICRONS MIN.	WITH ARRIS ON TOP SURFACE WITH COVER		47363-4011	GOLD PLATED 0.76 MICRONS MIN.				
47363-1012	GOLD PLATED 0.38 MICRONS MIN.			47363-4012	GOLD PLATED 0.38 MICRONS MIN.				
47363-1020	GOLD FLASH	WITH ARRIS ON BOTTOM SURFACE WITH COVER		47363-4020	GOLD FLASH				
47363-1021	GOLD PLATED 0.76 MICRONS MIN.			47363-4021	GOLD PLATED 0.76 MICRONS MIN.				
47363-1022	GOLD PLATED 0.38 MICRONS MIN.			47363-4022	GOLD PLATED 0.38 MICRONS MIN.				
47363-1030	GOLD FLASH	WITHOUT ARRIS WITH COVER		47363-4030	GOLD FLASH				
47363-1031	GOLD PLATED 0.76 MICRONS MIN.		47363-4031	GOLD PLATED 0.76 MICRONS MIN.					
47363-1032	GOLD PLATED 0.38 MICRONS MIN.		47363-4032	GOLD PLATED 0.38 MICRONS MIN.					
47363-2000	GOLD FLASH	WITH ARRIS ON BOTH SURFACE WITH COVER	RIGHT ANGLE TYPE (90 DEGREE)						
47363-2001	GOLD PLATED 0.76 MICRONS MIN.								
47363-2002	GOLD PLATED 0.38 MICRONS MIN.								
47363-2010	GOLD FLASH	WITH ARRIS ON TOP SURFACE WITH COVER							
47363-2011	GOLD PLATED 0.76 MICRONS MIN.								
47363-2012	GOLD PLATED 0.38 MICRONS MIN.								
47363-2020	GOLD FLASH	WITH ARRIS ON BOTTOM SURFACE WITH COVER							
47363-2021	GOLD PLATED 0.76 MICRONS MIN.								
47363-2022	GOLD PLATED 0.38 MICRONS MIN.								
47363-2030	GOLD FLASH	WITHOUT ARRIS WITH COVER							
47363-2031	GOLD PLATED 0.76 MICRONS MIN.								
47363-2032	GOLD PLATED 0.38 MICRONS MIN.								
47363-3000	GOLD FLASH	WITH ARRIS ON BOTH SURFACE WITH COVER	COMPOSITE TYPE						
47363-3001	GOLD PLATED 0.76 MICRONS MIN.								
47363-3002	GOLD PLATED 0.38 MICRONS MIN.								
47363-3010	GOLD FLASH	WITH ARRIS ON TOP SURFACE WITH COVER							
47363-3011	GOLD PLATED 0.76 MICRONS MIN.								
47363-3012	GOLD PLATED 0.38 MICRONS MIN.								
47363-3020	GOLD FLASH	WITH ARRIS ON BOTTOM SURFACE WITH COVER							
47363-3021	GOLD PLATED 0.76 MICRONS MIN.								
47363-3022	GOLD PLATED 0.38 MICRONS MIN.								
47363-3030	GOLD FLASH	WITHOUT ARRIS WITH COVER							
47363-3031	GOLD PLATED 0.76 MICRONS MIN.								
47363-3032	GOLD PLATED 0.38 MICRONS MIN.								

SEE SHEET1 EC NO: SHZ009-0500 T1 DRW: XJ.SONG 2009/04/16 CHKD: XJ.SONG 2009/04/17 APPR: HWANG 2009/05/21	QUALITY SYMBOLS	GENERAL TOLERANCES (UNLESS SPECIFIED)	DIMENSION STYLE	SCALE	DESIGN UNITS	THIRD ANGLE PROJECTION
	=0 =0	mm INCH	MM ONLY	4:1	METRIC	
		4 PLACES ± --- ± --- 3 PLACES ± --- ± --- 2 PLACES ± 0.2 ± --- 1 PLACE ± 0.25 ± --- ANGULAR ± 3 °	DRAWN BY: BCHEN26 DATE: 2005/12/05 CHECKED BY: DATE: DIXON 2005/12/05 APPROVED BY: DATE: GRATE 2005/12/05	TITLE: COMBO SAS RECEPTACLE CABLE END		
		DRAFT WHERE APPLICABLE MUST REMAIN WITHIN DIMENSIONS	MATERIAL NO. DOCUMENT NO.	MOLEX INCORPORATED		SHEET NO.
		SEE TABLE	SD-47363-100		5 OF 5	
		THIS DRAWING CONTAINS INFORMATION THAT IS PROPRIETARY TO MOLEX INCORPORATED AND SHOULD NOT BE USED WITHOUT WRITTEN PERMISSION				