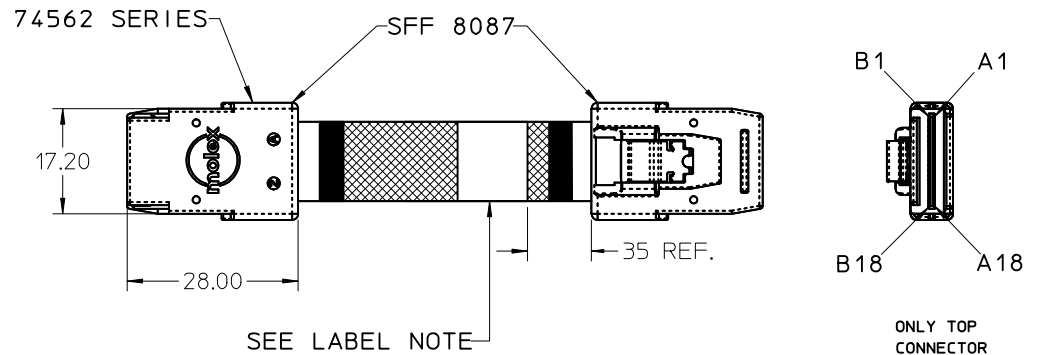
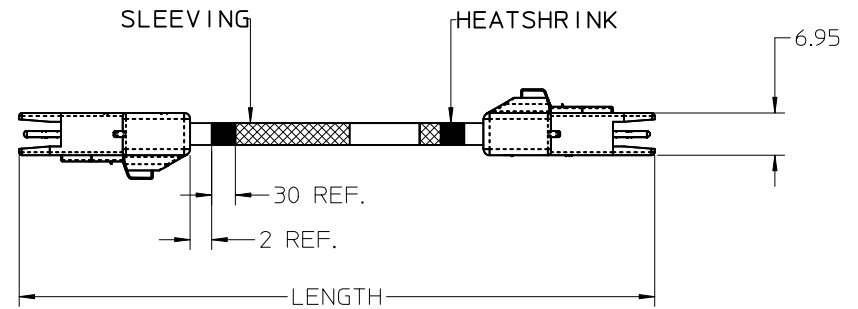


MOLEX P/N	SIDEBANDS	APPLICATION	SLEEVING	AWG	LENGTH(M)	TOL(+/-)	PIN OUT
795762100	YES	Ctrl to BP	YES	30	0.152	0.015	PIN OUT 1
795762101	YES	Ctrl to BP	YES	30	0.3	0.015	PIN OUT 1
795762102	YES	Ctrl to BP	YES	30	0.5	0.015	PIN OUT 1
795762103	YES	Ctrl to BP	YES	30	0.6	0.015	PIN OUT 1
795762104	YES	Ctrl to BP	YES	28	1	0.030	PIN OUT 1
795762105	YES	Ctrl to BP	YES	30	0.33	0.015	PIN OUT 1
795762107	YES	Ctrl TO BP	YES	30	0.225	0.015	PIN OUT 1
795762110	YES	Ctrl to CTRL	YES	30	0.152	0.015	PIN OUT 2
795762111	YES	Ctrl to CTRL	YES	30	0.3	0.015	PIN OUT 2
795762112	YES	Ctrl to CTRL	YES	30	0.5	0.015	PIN OUT 2
795762113	YES	Ctrl to CTRL	YES	30	0.6	0.015	PIN OUT 2
795762114	YES	Ctrl to CTRL	YES	28	1	0.030	PIN OUT 2
795762120	NO	N/A	YES	30	0.152	0.015	PIN OUT 3
795762121	NO	N/A	YES	30	0.3	0.015	PIN OUT 3
795762122	NO	N/A	YES	30	0.5	0.015	PIN OUT 3
795762123	NO	N/A	YES	30	0.6	0.015	PIN OUT 3
795762124	NO	N/A	YES	28	1	0.030	PIN OUT 3
795762125	NO	N/A	YES	28	0.875	0.010	PIN OUT 3
795762126	NO	N/A	YES	30	0.650	0.010	PIN OUT 3
795762127	NO	N/A	YES	28	0.710	0.010	PIN OUT 3
795762128	NO	N/A	YES	28	0.935	0.010	PIN OUT 3
795762129	NO	N/A	YES	30	0.800	0.010	PIN OUT 3
795762141	NO	N/A	YES	28	1.1	0.010	PIN OUT 3
795762142	NO	N/A	YES	28	2.1	0.010	PIN OUT 3
795762012	YES	Ctrl to CTRL	NO	30	0.5	0.015	PIN OUT 2
795762137	NO	N/A	YES	28	0.6	0.015	PIN OUT 3
795762138	NO	N/A	YES	26	0.9	0.015	PIN OUT 3
795762140	YES	Ctrl to CTRL	YES	26	0.8	0.015	PIN OUT 1

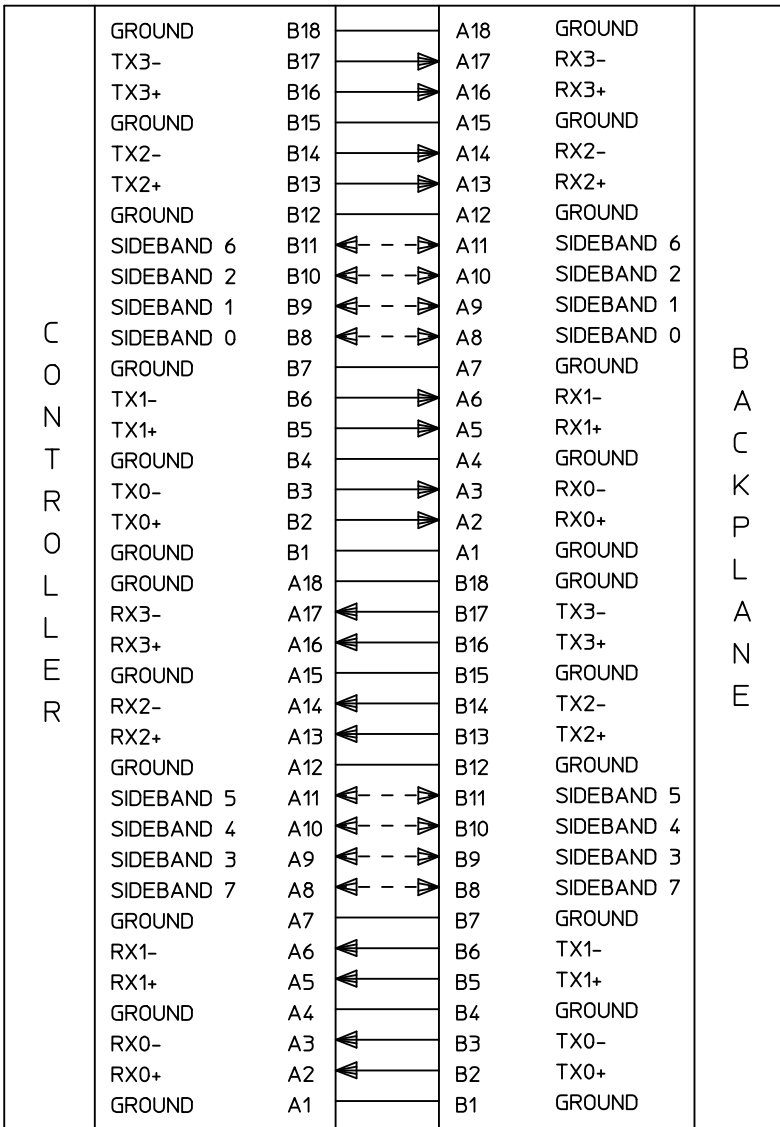


NOTES:

- MATERIAL:
  - OVER MOLD - POLYBUTYLENE TEREPHTHALATE (PBT), 94-V0, GLASS FILLED 30%.
  - LATCH - STAINLESS STEEL ALLOY.
  - CABLE -
    - SIGNALS PVC INSULATION
    - SOLID COPPER SIGNAL AND DRAIN.
    - INNER DIELECTRIC IS POLYOLEFIN
    - TWIN-AX SHIELD IS ALUMINIZED POLYESTER FOIL.
    - JACKET - PVC RED
  - PCB - FR4
- PRODUCT TO PERFORM PER PRODUCT SPECIFICATION: PS-75783-001.
- PRODUCT MATES TO 75783 (RIGHT ANGLE) AND 75784 (VERTICAL) SERIES.
- THIS PRODUCT CONFORMS TO THE MECHANICAL DIMENSIONING AND ELECTRICAL PERFORMANCE REQUIREMENTS OF SFF-8087.
- MINIMUM RECOMMENDED BEND RADIUS 28 MM.
- THIS PRODUCT MEETS THE RESTRICTION OF HAZARDOUS SUBSTANCES IN ELECTRICAL AND ELECTRONIC EQUIPMENT (RoHS) DIRECTIVE (2002/95/EC)
- LABEL INFO.
  - MOLEX
  - <<PART NUMBER>>
  - MADE IN CHINA
  - WW/YY

IPASS™ IS A TRADEMARK OF MOLEX.

ADDED P/N 2129 EC NO: USY2011-0007 DRWN: JERWIN 2009/09/02 CHKD: BSCHOSTER 2010/07/14 APPR: DDOYE 2010/08/02 N	QUALITY SYMBOLS ▽=0 ▽=0	GENERAL TOLERANCES (UNLESS SPECIFIED)		DIMENSION STYLE MM/IN	SCALE 1:1	DESIGN UNITS METRIC	THIRD ANGLE PROJECTION	
		4 PLACES ± --- ± ---	3 PLACES ± --- ± .01	DRAWN BY JERWIN	DATE 2006/04/25	TITLE IPASS (MINI-SAS) INTERNAL CABLE 36 CKT 4X W/ SIDEBANDS		
		2 PLACES ± 0.25 ± ---	1 PLACE ± --- ± ---	CHECKED BY THALL	DATE 2006/04/25	MOLEX MOLEX INCORPORATED		
		ANGULAR ± 1°		APPROVED BY DDOYE	DATE 2006/04/25	MATERIAL NO. SEE TABLE	DOCUMENT NO. SD-79576-200	SHEET NO. 1 OF 4
DRAFT WHERE APPLICABLE MUST REMAIN WITHIN DIMENSIONS		THIS DRAWING CONTAINS INFORMATION THAT IS PROPRIETARY TO MOLEX INCORPORATED AND SHOULD NOT BE USED WITHOUT WRITTEN PERMISSION						



C  
O  
N  
T  
R  
O  
L  
L  
E  
R

B  
A  
C  
K  
P  
L  
A  
N  
E

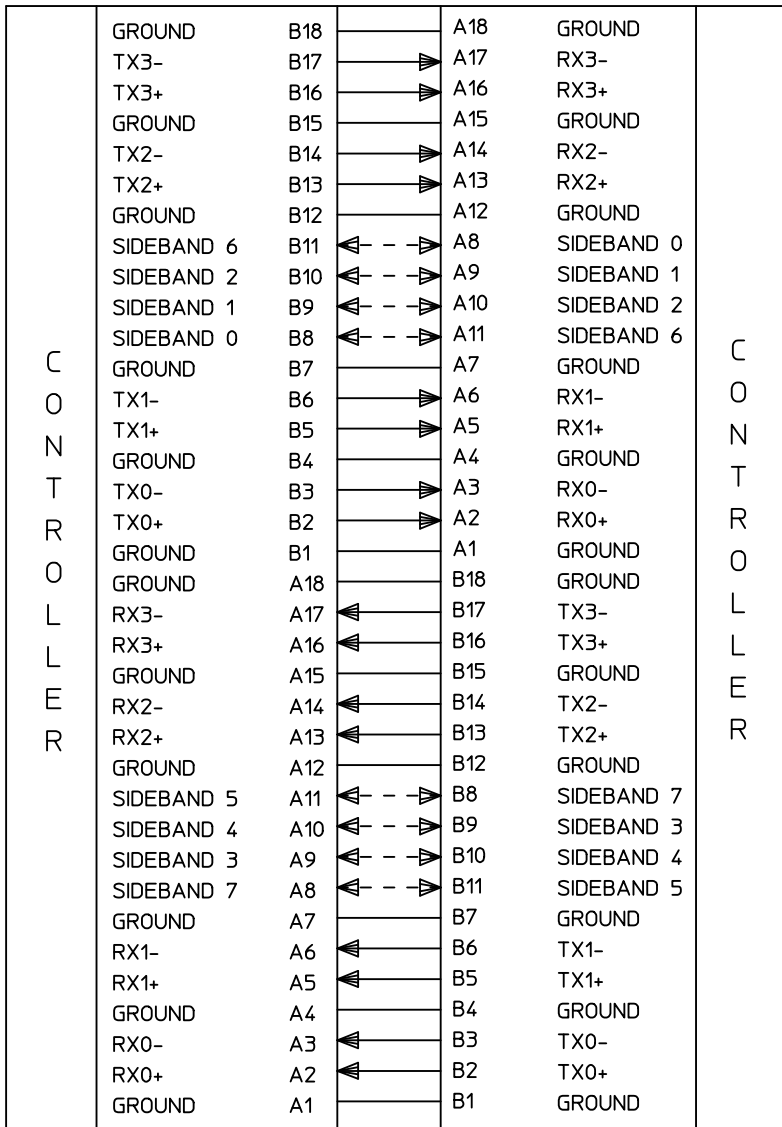
P  
I  
N  
O  
U  
T  
1

NOTE:

1. PINOUT CONFORMS TO SAS 1.1 9.0D SECTION 5.2.4.1.2.3
2. ALL SIGNAL GROUNDS ARE BUSSED IN PCB.

IPASS™ IS A TRADEMARK OF MOLEX

ADDED P/N 2429 EC NO: USY2011-0007 DRWN: JERWIN 2009/09/02 CHKD: BSCHOESTER 2010/07/14 APPR: DDOYE 2010/08/02 DESCRIPTION	QUALITY SYMBOLS 	GENERAL TOLERANCES (UNLESS SPECIFIED)		DIMENSION STYLE	SCALE	DESIGN UNITS	THIRD ANGLE PROJECTION		
			mm	INCH	MM/IN	1:1	METRIC		
		4 PLACES	± ---	± ---	DRAWN BY DATE	TITLE			
		3 PLACES	± ---	± .01	JERWIN 2006/04/25	IPASS™ (MINI-SAS) INTERNAL CABLE 36 CKT 4X W/ SIDEBANDS			
2 PLACES	± 0.25	± ---	2 PLACES	CHECKED BY DATE	MOLEX INCORPORATED				
1 PLACE	± ---	± ---	1 PLACE	THALL 2006/04/25	MATERIAL NO. SD-79576-200 SHEET NO. 2 OF 4				
ANGULAR ± 1 °		DRAFT WHERE APPLICABLE MUST REMAIN WITHIN DIMENSIONS		APPROVED BY DATE		THIS DRAWING CONTAINS INFORMATION THAT IS PROPRIETARY TO MOLEX INCORPORATED AND SHOULD NOT BE USED WITHOUT WRITTEN PERMISSION			
				DDOYE 2006/04/25					
SEE CHART									

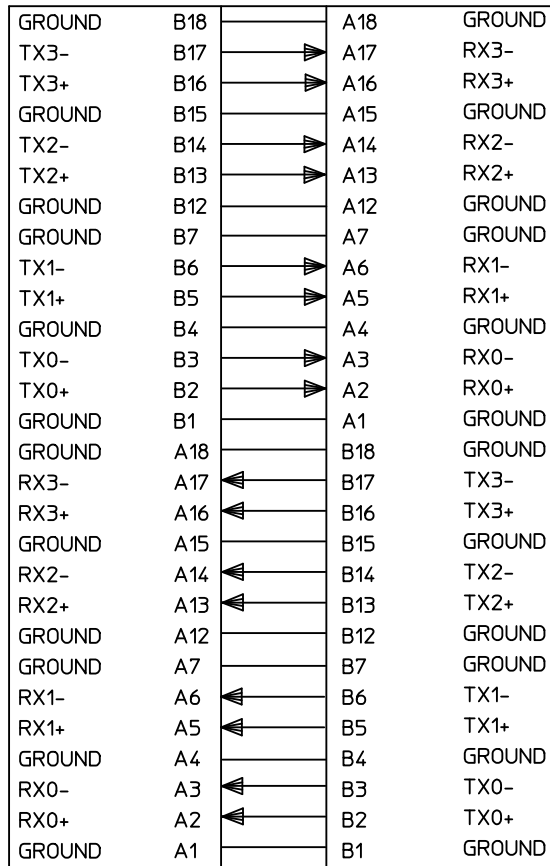


NOTE

- 1. FOR CONTROLLER TO CONTROLLER.
- 2. ALL SIGNAL GROUNDS ARE BUSSED IN PCB.

IPASS™ IS A TRADEMARK OF MOLEX

ADDED P/N 2129 EC NO: USY2011-0007 DRWN: JERWIN 2009/09/02 CHKD: BSCHOSTER 2010/07/14 APPR: DDOYE 2010/08/02 DESCRIPTION	QUALITY SYMBOLS	GENERAL TOLERANCES (UNLESS SPECIFIED)		DIMENSION STYLE	SCALE	DESIGN UNITS	THIRD ANGLE PROJECTION
	= 0 = 0	mm	INCH	MM/IN	1:1	METRIC	
		4 PLACES ± ---	± ---	DRAWN BY DATE	TITLE		
		3 PLACES ± ---	± .01	JERWIN 2006/04/25			
	2 PLACES ± 0.25	± ---	CHECKED BY DATE	IPASS (MINI-SAS) INTERNAL CABLE 36 CKT 4X W/ SIDEBANDS			
	1 PLACE ± ---	± ---	THALL 2006/04/25				
		ANGULAR ± 1 °	APPROVED BY DATE	MOLEX INCORPORATED			
			DDOYE 2006/04/25				
		DRAFT WHERE APPLICABLE MUST REMAIN WITHIN DIMENSIONS	MATERIAL NO.	DOCUMENT NO.	SHEET NO.		
			SEE CHART	SD-79576-200	3 OF 4		
			SIZE A	THIS DRAWING CONTAINS INFORMATION THAT IS PROPRIETARY TO MOLEX INCORPORATED AND SHOULD NOT BE USED WITHOUT WRITTEN PERMISSION			

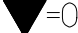
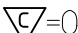



P I N O U T 3

NOTE

1. FOR NO SIDE BANDS
2. ALL SIGNAL GROUNDS ARE BUSSED IN PCB.

IPASS™ IS A TRADEMARK OF MOLEX

ADDED P/N 2129 EC NO: USY2011-0007 DRWN: JERWIN 2009/09/02 CHKD: BSCHOESTER 2010/07/14 APPR: DDOYE 2010/08/02	QUALITY SYMBOLS  =0  =0	GENERAL TOLERANCES (UNLESS SPECIFIED)		DIMENSION STYLE	SCALE	DESIGN UNITS	THIRD ANGLE PROJECTION		
			mm	INCH	MM/IN	1:1	METRIC		
		4 PLACES	± ---	± ---	DRAWN BY	DATE	TITLE IPASS (MINI-SAS) INTERNAL CABLE 36 CKT 4X W/ SIDEBANDS		
		3 PLACES	± ---	± .01	JERWIN	2006/04/25			
2 PLACES	± 0.25	± ---	CHECKED BY	DATE	 MOLEX INCORPORATED				
1 PLACE	± ---	± ---	THALL	2006/04/25					
		ANGULAR ± 1 °	APPROVED BY	DATE	DOCUMENT NO. SD-79576-200				
			DDOYE	2006/04/25					
		DRAFT WHERE APPLICABLE MUST REMAIN WITHIN DIMENSIONS	MATERIAL NO.	SEE CHART			SHEET NO.		
			SIZE	THIS DRAWING CONTAINS INFORMATION THAT IS PROPRIETARY TO MOLEX INCORPORATED AND SHOULD NOT BE USED WITHOUT WRITTEN PERMISSION			4 OF 4		