



32M x 72 1-Bank Registered / Buffered SDRAM Module

Features

- 168-Pin Registered 8-Byte Dual In-Line Memory Module
- 32Mx72 Synchronous DRAM DIMM
- Performance:

		-75A Reg.		Units
DIMM $\overline{\text{CAS}}$ Latency		4		
f_{CK}	Clock Frequency	133	100	MHz
t_{CK}	Clock Cycle	7.5	10.0	ns
t_{AC}	Clock Access Time	5.65	5.65	ns

- Intended for 100MHz and 133MHz applications
- Inputs and outputs are LVTTTL (3.3V) compatible
- Single 3.3V \pm 0.3V power supply
- Single Pulsed $\overline{\text{RAS}}$ interface
- SDRAMs have four internal banks
- Module has one physical bank

- Fully synchronous to positive clock edge
- Programmable operation:
 - DIMM $\overline{\text{CAS}}$ Latency: 4 (Registered mode);
 - Burst Type: Sequential or Interleave
 - Burst Length: 1, 2, 4, 8, and Full-Page
 - Operation: Burst Read and Write or Multiple Burst Read with Single Write
- Data Mask for Byte Read/Write control
- Auto Refresh (CBR) and Self Refresh
- Automatic and controlled Precharge commands
- Suspend mode and Power Down mode
- 12/11/2 Addressing (Row/Column/Bank)
- 4096 refresh cycles distributed across 64ms
- Card size: 5.25" x 1.70" x 0.157"
- Gold contacts
- DRAMs in TSOP - Type II Package
- Serial Presence Detect with Write protect

Description

IBM13M32734CCB is a registered 168-Pin Synchronous DRAM Dual In-Line Memory Module (DIMM) organized as a 32Mx72 high-speed memory array. The DIMM uses 18 32Mx4 SDRAMs in 400 mil TSOP packages. The DIMM achieves high-speed data-transfer rates of 100MHz and 133MHz by employing a prefetch/pipeline hybrid architecture that synchronizes the output data to a system clock.

The DIMM is intended for use in applications operating at 100MHz and 133MHz memory bus speeds. All control and address signals are re-driven through registers/buffers to the SDRAM devices. Operating in registered mode (REGE pin tied high), the control/address input signals are latched in the register on one rising clock edge and sent to the SDRAM devices on the following rising clock edge (data access is delayed by one clock).

A phase-lock loop (PLL) on the DIMM is used to re-drive the clock signals to both the SDRAM devices and the registers to minimize system clock loading. (CK0 is connected to the PLL, and CK1, CK2, and CK3 are terminated on the DIMM). A single clock

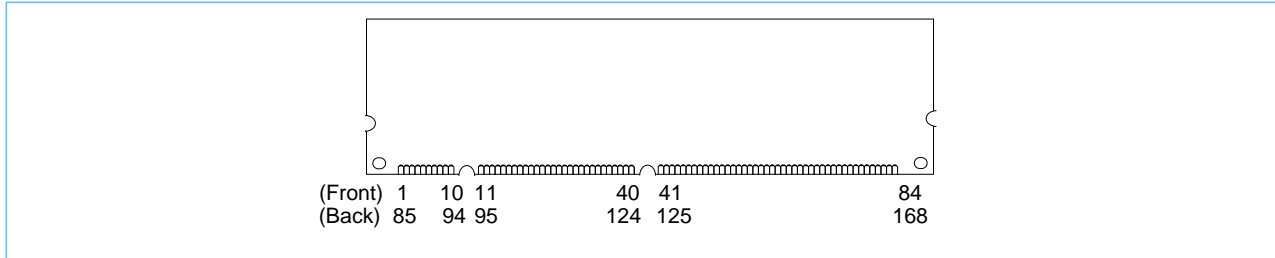
enable (CKE0) controls all devices on the DIMM, enabling the use of SDRAM Power Down modes.

Prior to any access operation, the device $\overline{\text{CAS}}$ latency and burst type/length/operation type must be programmed into the DIMM by address inputs A0-A10 using the mode register set cycle. The DIMM $\overline{\text{CAS}}$ latency when operated in Registered mode is one clock later than the device $\overline{\text{CAS}}$ latency due to the address and control signals being clocked to the SDRAM devices.

The DIMM uses serial presence detects implemented via a serial EEPROM using the two-pin IIC protocol. The first 128 bytes of serial PD data are programmed and locked by the DIMM manufacturer. The last 128 bytes are available to the customer and may be write protected by providing a high level to pin 81 on the DIMM. An on-board pull-down resistor keeps this in the Write Enable mode.

All IBM 168-pin DIMMs provide a high-performance, flexible 8-byte interface in a 5.25" long space-saving footprint.

Card Outline



Ordering Information

Part Number	Organization	Clock Cycle (CL, t _{RCD} , t _{RP})	Access Time	Leads	Dimension	Power
IBM13M32734CCB-75AT	32Mx72	7.5ns (333)	5.4ns	Gold	5.25" x 1.70" x 0.157"	3.3V



Pin Description

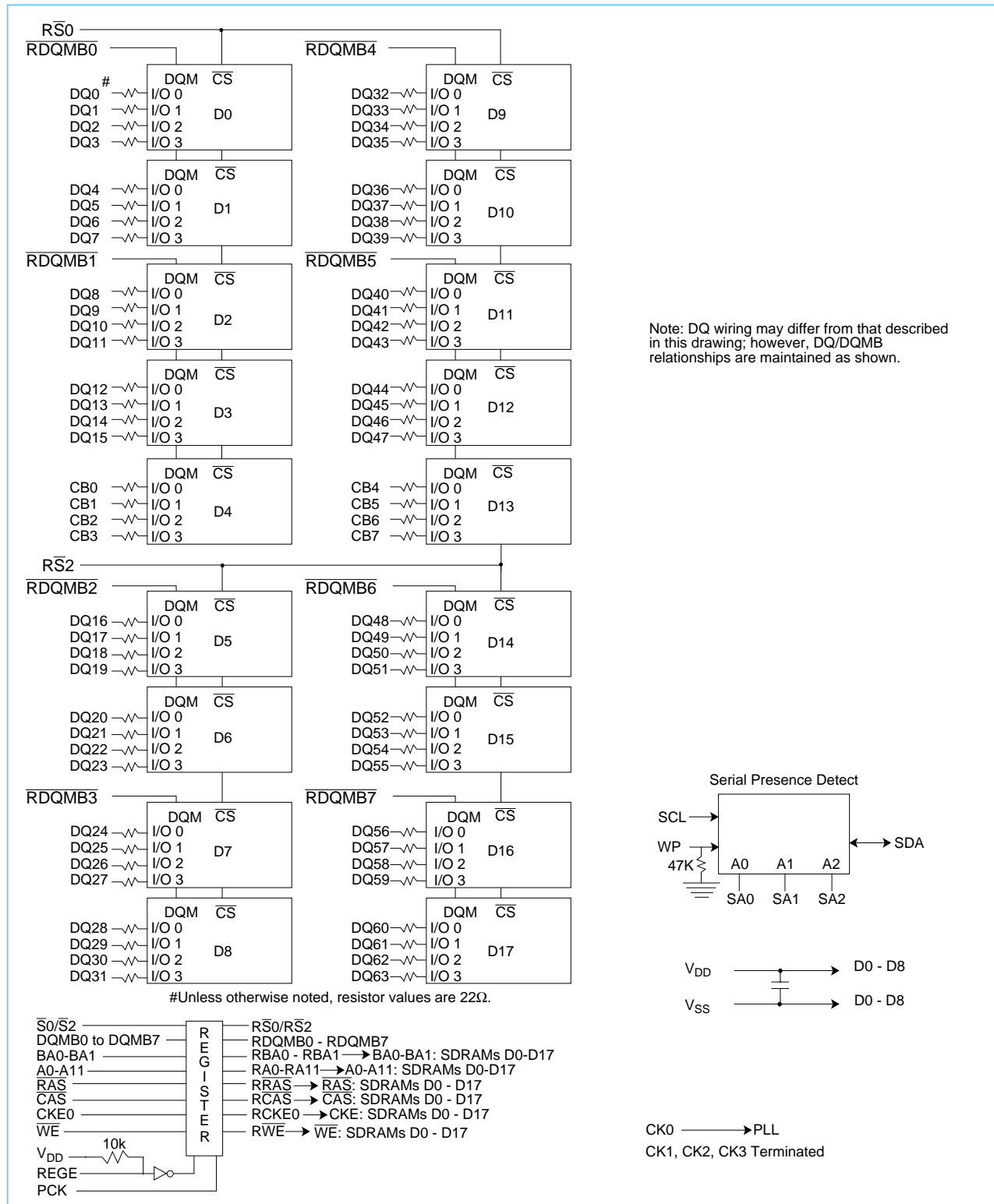
CK0 - CK3	Clock Inputs	DQ0 - DQ63	Data Input/Output
CKE0	Clock Enable	CB0 - CB7	Check Bit Data Input/Output
$\overline{\text{RAS}}$	Row Address Strobe	DQMB0 - DQMB7	Data Mask
$\overline{\text{CAS}}$	Column Address Strobe	V_{DD}	Power (3.3V)
$\overline{\text{WE}}$	Write Enable	V_{SS}	Ground
$\overline{\text{S0}}, \overline{\text{S2}}$	Chip Selects	NC	No Connect
A0 - A9, A11	Address Inputs	SCL	Serial Presence Detect Clock Input
A10/AP	Address Input/Autoprecharge	SDA	Serial Presence Detect Data Input/Output
BA0, BA1	SDRAM Bank Address Inputs	SA0-2	Serial Presence Detect Address Inputs
WP	SPD Write Protect	REGE	Register Enable

Pinout

Pin#	Front Side	Pin#	Back Side	Pin#	Front Side	Pin#	Back Side	Pin#	Front Side	Pin#	Back Side	Pin#	Front Side	Pin#	Back Side
1	V_{SS}	85	V_{SS}	22	CB1	106	CB5	43	V_{SS}	127	V_{SS}	64	V_{SS}	148	V_{SS}
2	DQ0	86	DQ32	23	V_{SS}	107	V_{SS}	44	NC	128	CKE0	65	DQ21	149	DQ53
3	DQ1	87	DQ33	24	NC	108	NC	45	$\overline{\text{S2}}$	129	NC	66	DQ22	150	DQ54
4	DQ2	88	DQ34	25	NC	109	NC	46	DQMB2	130	DQMB6	67	DQ23	151	DQ55
5	DQ3	89	DQ35	26	V_{DD}	110	V_{DD}	47	DQMB3	131	DQMB7	68	V_{SS}	152	V_{SS}
6	V_{DD}	90	V_{DD}	27	$\overline{\text{WE}}$	111	$\overline{\text{CAS}}$	48	NC	132	NC	69	DQ24	153	DQ56
7	DQ4	91	DQ36	28	DQMB0	112	DQMB4	49	V_{DD}	133	V_{DD}	70	DQ25	154	DQ57
8	DQ5	92	DQ37	29	DQMB1	113	DQMB5	50	NC	134	NC	71	DQ26	155	DQ58
9	DQ6	93	DQ38	30	$\overline{\text{S0}}$	114	NC	51	NC	135	NC	72	DQ27	156	DQ59
10	DQ7	94	DQ39	31	NC	115	$\overline{\text{RAS}}$	52	CB2	136	CB6	73	V_{DD}	157	V_{DD}
11	DQ8	95	DQ40	32	V_{SS}	116	V_{SS}	53	CB3	137	CB7	74	DQ28	158	DQ60
12	V_{SS}	96	V_{SS}	33	A0	117	A1	54	V_{SS}	138	V_{SS}	75	DQ29	159	DQ61
13	DQ9	97	DQ41	34	A2	118	A3	55	DQ16	139	DQ48	76	DQ30	160	DQ62
14	DQ10	98	DQ42	35	A4	119	A5	56	DQ17	140	DQ49	77	DQ31	161	DQ63
15	DQ11	99	DQ43	36	A6	120	A7	57	DQ18	141	DQ50	78	V_{SS}	162	V_{SS}
16	DQ12	100	DQ44	37	A8	121	A9	58	DQ19	142	DQ51	79	CK2	163	CK3
17	DQ13	101	DQ45	38	A10/AP	122	BA0	59	V_{DD}	143	V_{DD}	80	NC	164	NC
18	V_{DD}	102	V_{DD}	39	BA1	123	A11	60	DQ20	144	DQ52	81	WP	165	SA0
19	DQ14	103	DQ46	40	V_{DD}	124	V_{DD}	61	NC	145	NC	82	SDA	166	SA1
20	DQ15	104	DQ47	41	V_{DD}	125	CK1	62	NC	146	NC	83	SCL	167	SA2
21	CB0	105	CB4	42	CK0	126	NC	63	NC	147	REGE	84	V_{DD}	168	V_{DD}

Note: All pin assignments are consistent with all 8-byte unbuffered versions.

Block Diagram (Bank, x4 SDRAMs)





Input/Output Functional Description

Symbol	Type	Polarity	Function
CK0 - CK3	Input	Positive Edge	The system clock inputs. All of the SDRAM inputs are sampled on the rising edge of their associated clock. CK0 drives the PLL. CK1, CK2 & CK3 are terminated.
CKE0	Input	Active High	Activates the SDRAM CK signal when high and deactivates the CK signal when low. By deactivating the clocks, CKE low initiates the Power Down mode, Suspend mode, or the Self Refresh mode.
$\overline{S_0}, \overline{S_2}$	Input	Active Low	Enables the associated SDRAM command decoder when low and disables the command decoder when high. When the command decoder is disabled, new commands are ignored but previous operations continue.
$\overline{RAS}, \overline{CAS}, \overline{WE}$	Input	Active Low	When sampled at the positive rising edge of the clock, \overline{CAS} , \overline{RAS} , and \overline{WE} define the operation to be executed by the SDRAM.
BA0, 1	Input	—	Selects which SDRAM bank of four is activated.
A0 - A9, A11 A10/AP	Input	—	During a Bank Activate command cycle, A0-A11 defines the row address (RA0-RA11) when sampled at the rising clock edge. During a Read or Write command cycle, A0-A10 defines the column address (CA0-CA9, CA11) when sampled at the rising clock edge. In addition to the column address, AP is used to invoke autoprecharge operation at the end of the burst read or write cycle. If AP is high, autoprecharge is selected and BA0, BA1 defines the bank to be precharged. If AP is low, autoprecharge is disabled. During a Precharge command cycle, AP is used in conjunction with BA0, BA1 to control which bank(s) to precharge. If AP is high, all banks will be precharged regardless of the state of BA0 or BA1. If AP is low, then BA0 and BA1 are used to define which bank to precharge.
DQ0 - DQ63, CB0 - CB7	Input Output	—	Data and Check Bit Input/Output pins.
DQMB0 - DQMB7	Input	Active High	The Data Input/Output masks, associated with one data byte, place the DQ buffers in a high impedance state when sampled high. In Read mode, DQMB has a latency of three clock cycles in Registered mode, and controls the output buffers like an output enable. In Write mode, DQMB has a latency of one clock cycle in Registered mode. In this case, DQMB operates as a byte mask by allowing input data to be written if it is low but blocks the write operation if it is high.
V_{DD}, V_{SS}	Supply		Power and ground for the module.
REGE	Input	Active High (Register Mode Enable)	The Register Enable pin must be held high for proper registered mode operation (signals redriven to the SDRAMs when the clock rises, and held valid until the next rising clock).
SA0 - 2	Input	—	These signals are tied at the system planar to either V_{SS} or V_{DD} to configure the SPD EEPROM.
SDA	Input Output	—	This is a bidirectional pin used to transfer data into or out of the SPD EEPROM. A resistor must be connected from the SDA bus time to V_{DD} to act as a pull up.
SCL	Input	—	This signal is used to clock data into and out of the SPD EEPROM. A resistor may be connected from the SCL bus time to V_{DD} to act as a pull up.
WP	Input	Active High	This signal is pulled low on the DIMM to enable data to be written into the last 128 bytes of the SPD EEPROM.



IBM13M32734CCB

32M x 72 1-Bank Registered / Buffered SDRAM Module

Serial Presence Detect (Part 1 of 2)

Byte #	Description	SPD Entry Value	Serial PD Data Entry (Hexadecimal)	Notes
0	Number of Serial PD Bytes Written during Production	128	80	
1	Total Number of Bytes in Serial PD device	256	08	
2	Fundamental Memory Type	SDRAM	04	
3	Number of Row Addresses on Assembly	12	0C	
4	Number of Column Addresses on Assembly	11	0B	
5	Number of DIMM Banks	1	01	
6 - 7	Data Width of Assembly	x72	4800	
8	Assembly Voltage Interface Levels	LVTTL	01	
9	SDRAM Device Cycle Time (CL = 3)	7.5ns	75	1, 2
10	SDRAM Device Access Time from Clock at CL=3	5.4ns	54	
11	DIMM Configuration Type	ECC	02	
12	Assembly Refresh Rate/Type	SR/1X(15.625μs)	80	
13	SDRAM Device Width	x4	04	
14	Error Checking SDRAM Device Width	x4	04	
15	SDRAM Device Attr: Min Clk Delay, Random Col Access	1 Clock	01	
16	SDRAM Device Attributes: Burst Lengths Supported	1, 2, 4, 8, Full Page	8F	
17	SDRAM Device Attributes: Number of Device Banks	4	04	
18	SDRAM Device Attributes: $\overline{\text{CAS}}$ Latency	2, 3	06	
19	SDRAM Device Attributes: $\overline{\text{CS}}$ Latency	0	01	
20	SDRAM Device Attributes: $\overline{\text{WE}}$ Latency	0	01	
21	SDRAM Module Attributes	Registered/Buffered with PLL	IF	
22	SDRAM Device Attributes: General	Write-1/Read Burst, Precharge All, Auto-Precharge	0E	
23	Minimum Clock Cycle at CLX-1 (CL = 2)	15.0ns	F0	1, 2
24	Maximum Data Access Time (t_{AC}) from Clock at CLX-1 (CL = 2)	9.0ns	90	
25	Minimum Clock Cycle Time at CLX-2 (CL = 1)	N/A	00	
26	Maximum Data Access Time (t_{AC}) from Clock at CLX-2 (CL = 1)	N/A	00	
27	Minimum Row Precharge Time (t_{RP})	20ns	14	
28	Minimum Row Active to Row Active delay (t_{RRD})	15ns	0F	
29	Minimum RAS to $\overline{\text{CAS}}$ delay (t_{RCD})	20ns	14	
30	Minimum RAS Pulse width (t_{RAS})	45.0ns	2D	
31	Module Bank Density	256MB	40	

1. In a registered DIMM, data is delayed an additional clock cycle due to the on-DIMM pipeline register (that is, Device CL [clock cycles] + 1 = DIMM $\overline{\text{CAS}}$ latency).
2. Minimum application clock cycle time is 7.5ns (133MHz).
3. cc = Checksum Data Byte, 00-FF (Hex).
4. "R" = Alphanumeric revision code, A-Z, 0-9.
5. rr = ASCII coded revision code Byte "R".
6. ww = Binary coded decimal week code, 01-51 (Decimal) ' 01-34 (Hex).
7. yy = Binary coded decimal year code, 0-00 (Decimal) ' 00-63 (Hex).
8. ss = Serial number data Byte, 00-FF (Hex).
9. These values apply to PC100 applications only.



Serial Presence Detect (Part 2 of 2)

Byte #	Description	SPD Entry Value	Serial PD Data Entry (Hexadecimal)	Notes
32	Address and Command Setup Time Before Clock	1.5ns	15	
33	Address and Command Hold Time After Clock	0.8ns	08	
34	Data Input Setup Time Before Clock	1.5ns	15	
35	Data Input Hold Time After Clock	0.8ns	08	
36 - 61	Reserved	Undefined	00	
62	SPD Revision	JEDEC 2	02	
63	Checksum for Bytes 0 - 62	Checksum Data	cc	3
64 - 71	Manufacturers' JEDEC ID Code	IBM	A400000000000000	
72	Assembly Manufacturing Location	Toronto, Canada	91	
		Vimercate, Italy	53	
73 - 90	Assembly Part Number	ASCII '13M32734CC'R'-75AT	31334D33323733344343rr 2D373541542020	4, 5
91 - 92	Assembly Revision Code	"R" plus ASCII blank	rr20	5
93 - 94	Assembly Manufacturing Date	Year/Week Code	yyww	6, 7
95 - 98	Assembly Serial Number	Serial Number	ssssssss	8
99 - 125	Reserved	Undefined	Not specified	
126	Module supports clock frequency	100MHz	64	9
127	Attributes for clock frequency defined in Byte126	CLK0, CL = 3, ConAP	85	9
128 - 255	Open for Customer Use	Undefined	00	

1. In a registered DIMM, data is delayed an additional clock cycle due to the on-DIMM pipeline register (that is, Device CL [clock cycles] + 1 = DIMM CAS latency).

2. Minimum application clock cycle time is 7.5ns (133MHz).

3. cc = Checksum Data Byte, 00-FF (Hex).

4. "R" = Alphanumeric revision code, A-Z, 0-9.

5. rr = ASCII coded revision code Byte "R".

6. ww = Binary coded decimal week code, 01-51 (Decimal) ' 01-34 (Hex).

7. yy = Binary coded decimal year code, 0-00 (Decimal) ' 00-63 (Hex).

8. ss = Serial number data Byte, 00-FF (Hex).

9. These values apply to PC100 applications only.



Absolute Maximum Ratings

Symbol	Parameter	Rating	Units	Notes
V_{DD}	Power Supply Voltage	-0.3 to +4.6		
V_{IN}	Input Voltage	SDRAM Devices	-1.0 to +4.6	V 1
		Serial PD Device	-0.3 to +6.5	
		Register	0 - V_{DD}	
		PLL	0 - V_{DD}	
V_{OUT}	Output Voltage	SDRAM Devices	-1.0 to +4.6	
		Serial PD Device	-0.3 to +6.5	
T_A	Operating Temperature (ambient)	0 to +70	°C	1
T_{STG}	Storage Temperature	-55 to +125	°C	1
P_D	Power Dissipation	13	W	1, 2
I_{OUT}	Short Circuit Output Current	50	mA	1
F_{OP}	Minimum Operating Frequency	Min.	66	MHz
		Max.	133	

1. Stresses greater than those listed under “Absolute Maximum Ratings” may cause permanent damage to the device. This is a stress rating only and functional operation of the device at these or any other conditions above those indicated in the operational sections of this specification is not implied. Exposure to Absolute Maximum rating conditions for extended periods may affect reliability.
2. Maximum power is calculated assuming the DIMM is in Auto Refresh mode.

Recommended DC Operating Conditions ($T_A=0$ to 70°C)

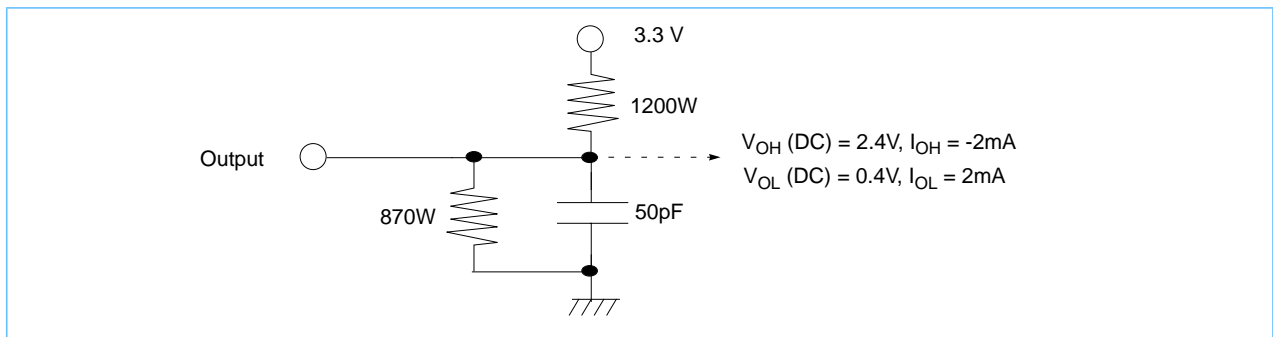
Symbol	Parameter	Rating			Units	Notes
		Min.	Typ.	Max.		
V_{DD}	Supply Voltage	3.0	3.3	3.6	V	1
V_{IH}	Input High Voltage	2.0	—	$V_{DD} + 0.3$	V	1
V_{IL}	Input Low Voltage	-0.3	—	0.8	V	1

1. All voltages referenced to V_{SS} .

Capacitance ($T_A = 25^\circ\text{C}$, $f = 1\text{MHz}$, $V_{DD} = 3.3\text{V} \pm 0.3\text{V}$)

Symbol	Parameter	Organization	Units
		x72 Max.	
C _{I11}	Input Capacitance (A0 - A9, A10/AP, A11, BA0, BA1, \overline{WE} , \overline{RAS} , \overline{CAS} , CKE0)	19	pF
C _{I12}	Input Capacitance ($\overline{S0}$, $\overline{S2}$)	15	pF
C _{I13}	Input Capacitance (DQMB0 - DQMB7)	14	pF
C _{I14}	Input Capacitance (REGE)	10	pF
C _{I15}	Input Capacitance (CK0)	28	pF
C _{I16}	Input Capacitance (CK1, CK2, AND CK3)	24	pF
C _{I17}	Input Capacitance (SA0 - SA2, SCL, WP)	9	pF
C _{IO1}	Input/Output Capacitance (DQ0 - DQ63, CB0 - CB7)	13	pF
C _{IO2}	Input/Output Capacitance (SDA)	11	pF

DC Output Load Circuit



Input/Output Characteristics ($T_A = 0$ to $+70^\circ\text{C}$, $V_{DD} = 3.3\text{V} \pm 0.3\text{V}$)

Symbol	Parameter	x72		Units	Notes	
		Min.	Max.			
I _{I(L)}	Input Leakage Current, any input ($0.0\text{V} \leq V_{IN} \leq 3.6\text{V}$), All Other Pins Not Under Test = 0V	Address and Control Inputs		10	10	μA
		DQ0-63, CB0 - 7		-4	+4	
I _{O(L)}	Output Leakage Current (D_{OUT} is disabled, $0.0\text{V} \leq V_{OUT} \leq 3.6\text{V}$)	DQ0-63, CB0 - 7		-4	+4	μA
		SDA		-1	+1	
V _{OH}	Output Level Output "H" Level Voltage ($I_{OUT} = -2.0\text{mA}$)	2.4	V _{DD}	V	1	
V _{OL}	Output Level Output "L" Level Voltage ($I_{OUT} = +2.0\text{mA}$)	0.0	0.4			

1. See DC output load circuit.



Operating, Standby, and Refresh Currents ($T_A = 0$ to $+70^\circ\text{C}$, $V_{DD} = 3.3\text{V} \pm 0.3\text{V}$)

Parameter	Symbol	Test Condition	Speed -75A	Units	Notes
Operating Current 1 bank operation	I_{CC1}	$t_{RC} = t_{RC}(\text{min})$, $t_{CK} = \text{min}$ Active-Precharge command cycling without burst operation	1782	mA	1
Precharge Standby Current in Power Down Mode	I_{CC2P}	$\text{CKE0} \leq V_{IL}(\text{max})$, $t_{CK} = \text{min}$, $\overline{\text{CS}} = V_{IH}(\text{min})$	270	mA	1
	I_{CC2PS}	$\text{CKE0} \leq V_{IL}(\text{max})$, $t_{CK} = \text{Infinity}$, $\overline{\text{S0}}, \overline{\text{S2}} = V_{IH}(\text{min})$	36	mA	
Precharge Standby Current in Non-Power Down Mode	I_{CC2}	$\text{CKE0} \geq V_{IH}(\text{min})$, $t_{CK} = \text{min}$, $\text{S0}, \text{S2} = V_{IH}(\text{min})$	1062	mA	1
	I_{CC2S}	$\text{CKE0} \geq V_{IH}(\text{min})$, $t_{CK} = \text{Infinity}$, $\text{S0}, \text{S2} = V_{IH}(\text{min})$	198	mA	
No Operating Current (Active state: 4bank)	I_{CC3}	$\text{CKE0} \geq V_{IH}(\text{min})$, $t_{CK} = \text{min}$, $\overline{\text{S0}}, \overline{\text{S2}} = V_{IH}(\text{min})$	1152	mA	1
	I_{CC3P}	$\text{CKE0} \leq V_{IL}(\text{max})$, $t_{CK} = \text{min}$, $\text{S0}, \text{S2} = V_{IH}(\text{min})$ (Power Down Mode)	432	mA	1
Burst Operating Current (Active state: 4bank)	I_{CC4}	$t_{CK} = \text{min}$, Read command cycling	2160	mA	1, 2
Auto (CBR) Refresh Current	I_{CC5}	$t_{CK} = \text{min}$, CBR command cycling	3549	mA	1
Self Refresh Current	I_{CC6}	$\text{CKE0} \leq 0.2\text{V}$	54	mA	

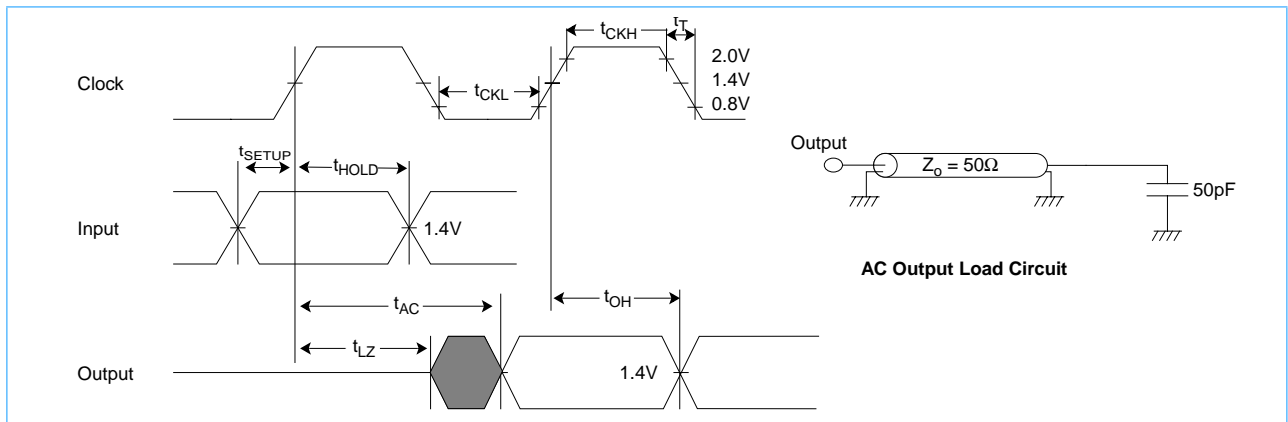
1. These parameters depend on the cycle rate and are measured with the cycle determined by the minimum value of t_{CK} and t_{RC} . Input signals are changed once during $t_{CK}(\text{min})$. $t_{CK}(\text{min}) = 7.5\text{ns}$.

2. The specified values are obtained with the DIMM data outputs open.

AC Characteristics ($T_A = 0$ to $+70^\circ\text{C}$, $V_{DD} = 3.3\text{V} \pm 0.3\text{V}$)

1. An initial pause of $200\mu\text{s}$, with CKE0 held high, is required after power-up. A Precharge All Banks command must be given followed by a minimum of eight Auto (CBR) Refresh cycles before or after the Mode Register Set operation.
2. AC timing tests have $V_{IL} = 0.8\text{V}$ and $V_{IH} = 2.0\text{V}$ with the timing referenced to the 1.40V crossover point.
3. The Transition time is measured between V_{IH} and V_{IL} (or between V_{IL} and V_{IH}).
4. AC measurements assume $t_T = 1.2\text{ns}$ (1 Volt/ns rise time).
5. In addition to meeting the transition rate specification, the clock and CKE must transit between V_{IH} and V_{IL} (or between V_{IL} and V_{IH}) in a monotonic manner.
6. A 1ms stabilization time is required for the integrated PLL circuit to obtain phase lock of its feedback signal to its reference signal.
7. All timings are specified at the input receiver of the signal. This allows times to be specified at the end of a transmission line versus at the DIMM connector which displays significant reflections. Refer to the device specifications for non-skew adjusted timings.

AC Output Characteristics Diagram





Clock and Clock Enable Parameters

Symbol	Parameter	-75A max. (Device CL $t_{RCD}, t_{RP} = 3, 3, 3$)		Units	Notes
		Min.	Max.		
t_{CK4}	Clock Cycle Time, DIMM \overline{CAS} Latency = 4	7.5	1000	ns	1
t_{AC4}	Clock Access Time, DIMM \overline{CAS} Latency = 4	—	5.65	ns	1, 2
t_{CKH}	Clock High Pulse Width	2.5	—	ns	3
t_{CKL}	Clock Low Pulse Width	2.5	—	ns	3
t_{CES}	Clock Enable Setup Time	1.65	—	ns	1
t_{CEH}	Clock Enable Hold Time	0.35	—	ns	1
t_{SB}	Power Down Mode Entry Time	0	7.5	ns	
t_T	Transition Time (Rise and Fall)	0.5	10	ns	

1. DIMM \overline{CAS} latency = device CL [clock cycles] + 1 for the Register mode.
2. Access time is measured at 1.4V. See AC output load circuit.
3. t_{CKH} is the pulse width of CLK measured from the positive edge to the negative edge referenced to V_{IH} (min). t_{CKL} is the pulse width of CLK measured from the negative edge to the positive edge referenced to V_{IL} (max).



Common Parameters

Symbol	Parameter	-75A		Units	Notes
		Min.	Max.		
t _{CS}	Command Setup Time	1.65		ns	1
t _{CH}	Command Hold Time	0.35		ns	1
t _{AS}	Address and Bank Select Setup Time	1.65		ns	1
t _{AH}	Address and Bank Select Hold Time	0.35		ns	1
t _{RCD}	$\overline{\text{RAS}}$ to $\overline{\text{CAS}}$ Delay	20.0		ns	1
t _{RC}	Bank Cycle Time	67.5		ns	1
t _{RAS}	Active Command Period	45	100000	ns	1
t _{RP}	Precharge Time	20.0		ns	1
t _{RRD}	Bank to Bank Delay Time	15		ns	1
t _{CCD}	$\overline{\text{CAS}}$ to $\overline{\text{CAS}}$ Delay Time (Same Bank)	1		CLK	

1. These parameters account for the number of clock cycles and depend on the operating frequency of the clock as follows: the number of clock cycles = specified value of timing/clock period (count fractions as a whole number).

Mode Register Set Cycle

Symbol	Parameter	-75A		Units	Notes
		Min.	Max.		
t _{RSC}	Mode Register Set Cycle Time	2	—	CLK	1

1. These parameters account for the number of clock cycles and depend on the operating frequency of the clock as follows: the number of clock cycles = specified value of timing/clock period (count fractions as a whole number).

Refresh Cycle

Symbol	Parameter	-75A		Units	Notes
		Min.	Max.		
t _{REF}	Refresh Period	—	64	ms	1, 2
t _{REFI}	Average Refresh Interval Time	—	15.625	μs	
t _{REFC}	Row Refresh Cycle Time	75	—	ns	
t _{SREX}	Self Refresh Exit Time	10	—	ns	3

1. 4096 cycles.
2. Any time that the Refresh Period has been exceeded, a minimum of two Auto (CBR) Refresh commands must be given to “wake up” the device.
3. Self Refresh exit is asynchronous, requiring 10ns to ensure initiation. Self Refresh exit is complete in 10ns + t_{RC}.

Read Cycle

Symbol	Parameter	-75A		Units	Notes
		Min.	Max.		
t_{OH}	Data Out Hold Time	2.45		ns	
t_{LZ}	Data Out to Low Impedance Time	0.6		ns	
t_{HZ3}	Data Out to High Impedance Time	3.6	6.6	ns	1
t_{DQZ}	DQM Data Out Disable Latency	3		CLK	

1. Referenced to the time at which the output achieves the open circuit condition, not to output voltage levels.

Write Cycle

Symbol	Parameter	-75A		Units
		Min.	Max.	
t_{DS}	Data In Setup Time	1.75		ns
t_{DH}	Data In Hold Time	1.05		ns
t_{DPL}	Data input to Precharge	15		ns
t_{DAL3}	Data in to Active Delay (CAS Latency = 3)	5		CLK
t_{DQW}	DQM Write Mask Latency	1		CLK

Presence Detect Read and Write Cycle

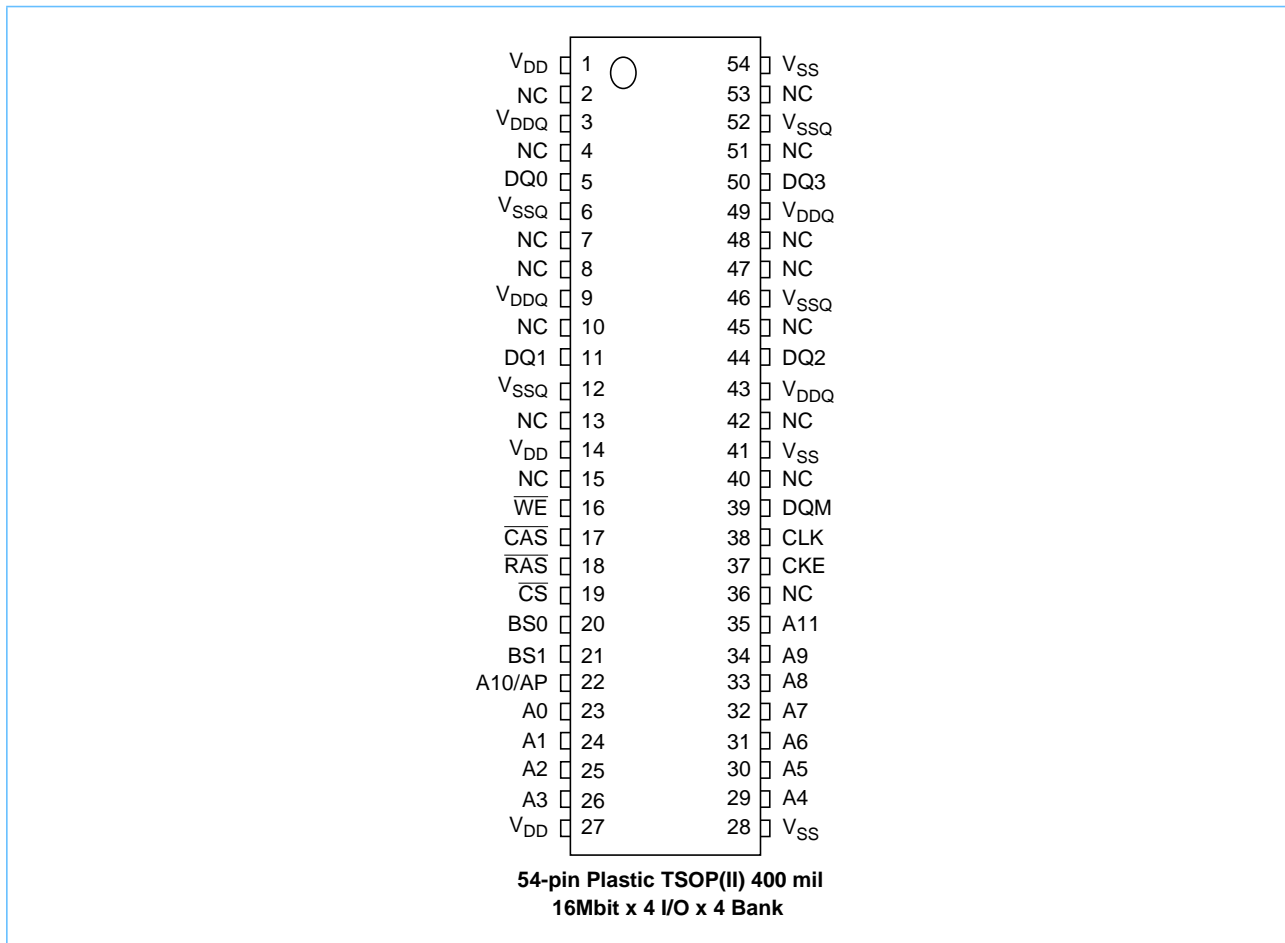
Symbol	Parameter	Min.	Max.	Units	Notes
f_{SCL}	SCL Clock Frequency		100	KHz	
T_I	Noise Suppression Time Constant at SCL, SDA Inputs		100	ns	
t_{AA}	SCL Low to SDA Data Out Valid	0.3	3.5	μ s	
t_{BUF}	Time the Bus Must Be Free before a New Transmission Can Start	4.7		μ s	
$t_{HD:STA}$	Start Condition Hold Time	4.0		μ s	
t_{LOW}	Clock Low Period	4.7		μ s	
t_{HIGH}	Clock High Period	4.0		μ s	
$t_{SU:STA}$	Start Condition Setup Time (for a Repeated Start Condition)	4.7		μ s	
$t_{HD:DAT}$	Data in Hold Time	0		μ s	
$t_{SU:DAT}$	Data in Setup Time	250		ns	
t_r	SDA and SCL Rise Time		1	μ s	
t_f	SDA and SCL Fall Time		300	ns	
$t_{SU:STO}$	Stop Condition Setup Time	4.7		μ s	
t_{DH}	Data Out Hold Time	300		ns	
t_{WR}	Write Cycle Time		15	ms	1

1. The write cycle time (t_{WR}) is the time from a valid stop condition of a write sequence to the end of the internal erase/program cycle. During the write cycle, the bus interface circuits are disabled, SDA is allowed to remain high per the bus-level pull-up resistor, and the device does not respond to its slave address.

Wiring and Topology

This section contains the information needed to understand the timing relationships presented in AC Characteristics beginning on page 11. Each timing parameter is measured at the first receiving device (SDRAM DQ pin for data, register input pin for address and control, and PLL CLK input pin for clock). This section will enable the user to understand the pin numbers on the DIMM, the net structures, and the loading associated with these devices. For detailed timing analysis, contact the IBM Marketing Representative for simulation models. Modeling is strongly recommended to determine delay adders of the entire net structure.

Pin Assignments for the 128Mbit SDRAM Planar Component (Top View)



The table below describes the DQ wiring information for each SDRAM on the DIMM. Note that the DQ wiring is different from that described in the Block Diagram (Bank, x4 SDRAMs) on page 4.

Data Wiring Cross Reference

DQ SDRAM Designator	DQ SDRAM Pin Number	Device position to DIMM Tab Data I/O ¹																	
		D0	D1	D2	D3	D4	D5	D6	D7	D8	D9	D10	D11	D12	D13	D14	D15	D16	D17
DQ0	5	3	7	11	15	CB2	18	23	27	31	32	36	40	45	CB5	48	52	56	60
DQ1	11	2	6	10	14	CB3	19	22	26	30	33	37	41	44	CB4	49	53	57	61
DQ2	44	1	5	9	12	CB0	17	21	25	29	34	38	42	46	CB7	50	54	58	62
DQ3	50	0	4	8	13	CB1	16	20	24	28	35	39	43	47	CB6	51	55	59	63

1. These numbers can be associated with the corresponding DIMM tab pin by referencing the DIMM connector pinout on page 3 of this specification. Example: DQ14 at the DIMM tab (pin 19) is wired to SDRAM device position D3, pin 11.

Data Topology

TL0		TL1		Total		Unit
Min	Max	Min	Max	Min	Max	
0.126	0.345	1.013	1.415	1.145	1.658	in.

Note: Transmission lines ("TL") are represented as cylinders and labeled with length designators. These are the only lines which represent physical trace segments.
 For more detailed topology information please refer to the current PC133 SDRAM Registered DIMM specification.

The table below describes the input wiring for each clock on the DIMM.

Clock Input Wiring

CK0	CK1	CK2	CK3
PLL CLK Input Pin 24	Termination RC	Termination RC	Termination RC

Clock Topology

TL0	TL1	Unit
0.127	2.647	in.

The table below describes the address and control information for each signal on the DIMM. Note that several signals are double loaded at the input of the register.

Register Input Wiring

Register Pin number	Register 1 Signal	Register 2 Signal	Register 3 Signal
30	CLK	CLK	CLK
31	CAS	NC	DQMB0
33	RAS	NC	DQMB4
34	A1	BS1	DQMB1
36	A0	A11	DQMB5
37	A3	A10	NC
38	A2	BS0	NC
40	A5	A8	S0
41	A4	A9	NC
42	A7	A6	WE
43	A6	A7	WE
44	A9	A4	NC
45	A8	A5	S2
47	BS0	A2	DQMB6
48	A10	A3	DQMB2
49	A11	A0	NC
51	BS1	A1	NC
52	CKE0	RAS	DQMB7
54	CKE0	CAS	DQMB3

Address/Control Signal Topology

TL0		Unit
Min	Max	
0.199	1.336	in.

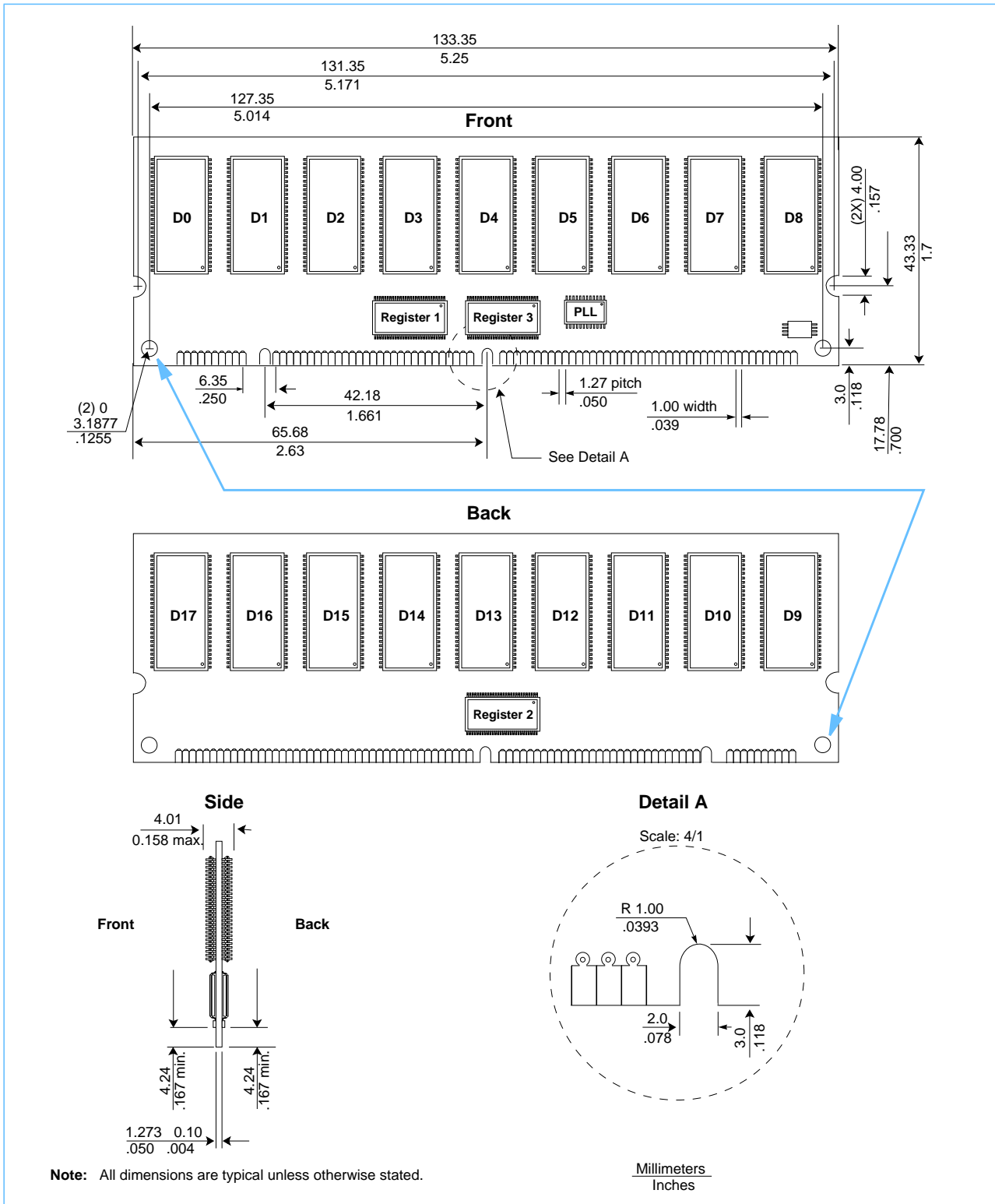
Note: Each Signal has two register input loads with the exception of DQMBs and Chip Select which have one. For more detailed topology information please refer to the current PC133 SDRAM Registered DIMM specification.

Functional Description and Timing Diagrams

Refer to the IBM PC133 128Mb Synchronous DRAM data sheet (33L8019) for the functional description and timing diagrams for SDRAM operation.

Refer to the IBM Application Notes *Serial Presence Detect on Memory DIMMs* and *SDRAM Presence Detect Definitions* for the Serial Presence Detect functional description and timings.

Layout Drawing





Revision Log

Rev	Contents of Modification
4/00	Initial release.



© Copyright International Business Machines Corporation 1999, 2000

All Rights Reserved

Printed in the United States of America April 2000

The following are trademarks of International Business Machines Corporation in the United States, or other countries, or both.

IBM IBM Logo

Other company, product and service names may be trademarks or service marks of others.

All information contained in this document is subject to change without notice. The products described in this document are NOT intended for use in implantation or other life support applications where malfunction may result in injury or death to persons. The information contained in this document does not affect or change IBM product specifications or warranties. Nothing in this document shall operate as an express or implied license or indemnity under the intellectual property rights of IBM or third parties. All information contained in this document was obtained in specific environments, and is presented as an illustration. The results obtained in other operating environments may vary.

THE INFORMATION CONTAINED IN THIS DOCUMENT IS PROVIDED ON AN "AS IS" BASIS. In no event will IBM be liable for damages arising directly or indirectly from any use of the information contained in this document.

IBM Microelectronics Division
1580 Route 52, Bldg. 504
Hopewell Junction,
NY 12533-6351

The IBM home page can be found at
<http://www.ibm.com>

The IBM Microelectronics Division home page
can be found at <http://www.chips.ibm.com>

06K7740.H03381
04/00