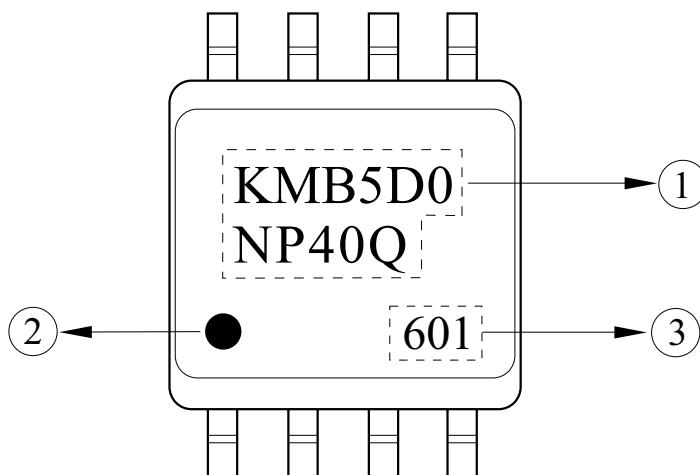


1. Marking method

Laser Marking.

2. Marking



No.	Item	Marking	Description		
①	Device Name	KMB5D0NP40Q	KMB5D0NP40Q		
②	Pin No.	Dot	Pin 1		
③	Lot No.	601	6	Year	0~9 : 2000~2009
			01	Week	01 : 1st Week