



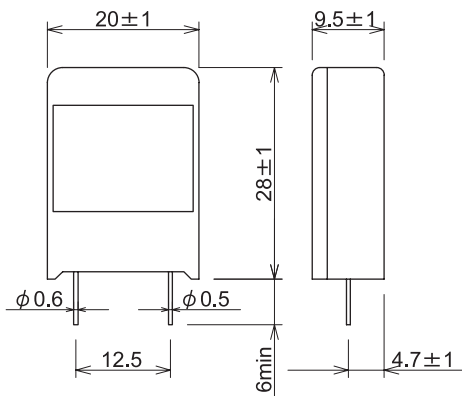
Features

- Fast response time.
- Bi-polar and it will fail open if surge withstand capability is exceeded.
- Small inter-terminal capacitance.
- High insulation resistance ($1 \times 10^9 \Omega$ min).

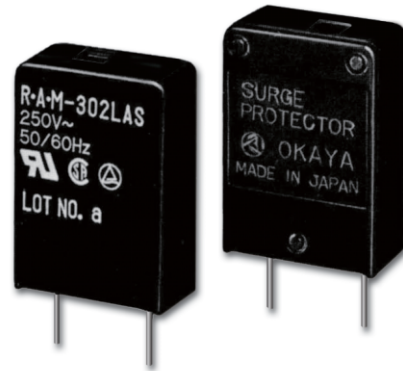


| Safety Agency : Standard | | File NO. |
|--------------------------|----------------|-----------------|
| UL | UL1414, UL1449 | E47474, E143446 |
| CSA | C22.2 No.1 | LR105073 |
| TÜV | IEC60384-14 | J9650111 |

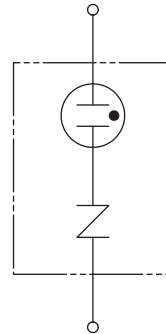
Dimensions



Unit: mm



Circuit



Electrical Specifications

| Safety Agency | Model Number | Rated Voltage 50/60Hz Vrms | Max Line Voltage Vrms | DC Spark-over Voltage (V) R=1MW 100-500 V/sec | Peak Surge Current 8/20 μ s (A) | Insulation Resistance DC500V | Withstand Voltage Test | Capacitance (pF) | Operating Temp. range (°C) |
|---------------|------------------|----------------------------|-----------------------|---|-------------------------------------|------------------------------|------------------------|------------------|----------------------------|
| | R · A · M-242LAS | 125 | 140 | 2400V \pm 20% | 2000A | 10 ⁹ Ω | 1000V/60s 1250V/3s | 2 | -20~+70 |
| | R · A · M-302LAS | 250 | 300 | 3000V \pm 20% | | | 1500V/60s | | |
| | R · A · M-362LAS | 250 | 300 | 3600V \pm 20% | | | 1500V/60s 1800V/3s | | |