

www.DataSheet4U.com

SED2020
CMOS VFD Driver
Technical Manual

S-MOS Systems, Inc.
October, 1996
Version 1.0 (Preliminary)

S-MOS Systems, Inc. • 150 River Oaks Parkway • San Jose, CA 95134 • Tel: (408) 922-0200 • Fax: (408) 922-0238

■ 7932909 0004041 754 ■

THIS PAGE INTENTIONALLY BLANK

Table of Contents

1.0 GENERAL DESCRIPTION	5
1.1 Description	5
1.2 Features	5
2.0 BLOCK DIAGRAM	7
3.0 PIN CONFIGURATION	9
3.1 SED2020FOA	9
3.2 SED2020FOB	10
3.3 Pin Description	11
4.0 ELECTRICAL CHARACTERISTICS	13
4.1 Absolute Maximum Ratings	13
4.2 Recommended Operating Conditions	13
4.3 DC Electrical Characteristics	14
4.4 AC Electrical Characteristics	14
4.5 Timing Chart	15
5.0 TYPICAL CONNECTIONS	17
5.1 Example of connecting SED2020F's to VFD (1) <1 bit serial>	17
5.2 Example of connecting SED2020F's to VFD (2) <4 bits serial>	18

THIS PAGE INTENTIONALLY BLANK

1.0 GENERAL DESCRIPTION

1.1 DESCRIPTION

The SED2020F_{OA/OB} is a CMOS LSI dot-matrix vacuum fluorescent display anode and grid driver. It has 20 high-voltage anode outputs in 2 × 10 blocks.

The SED2020F_{OA/OB} is TTL, LSTTL, CMOS and HSCMOS compatible, allowing direct interface to a wide range of standard devices. It has independent serial inputs and outputs for each 10-element block which feature data transfer rates of up to 4 Mbits/s. All inputs have internal pull-ups and serial outputs have a minimum fanout of one standard TTL load. The serial data transfer system simplifies controller requirements. The SED2020F_{OA/OB} can also be configured for 4-bit parallel data transfer.

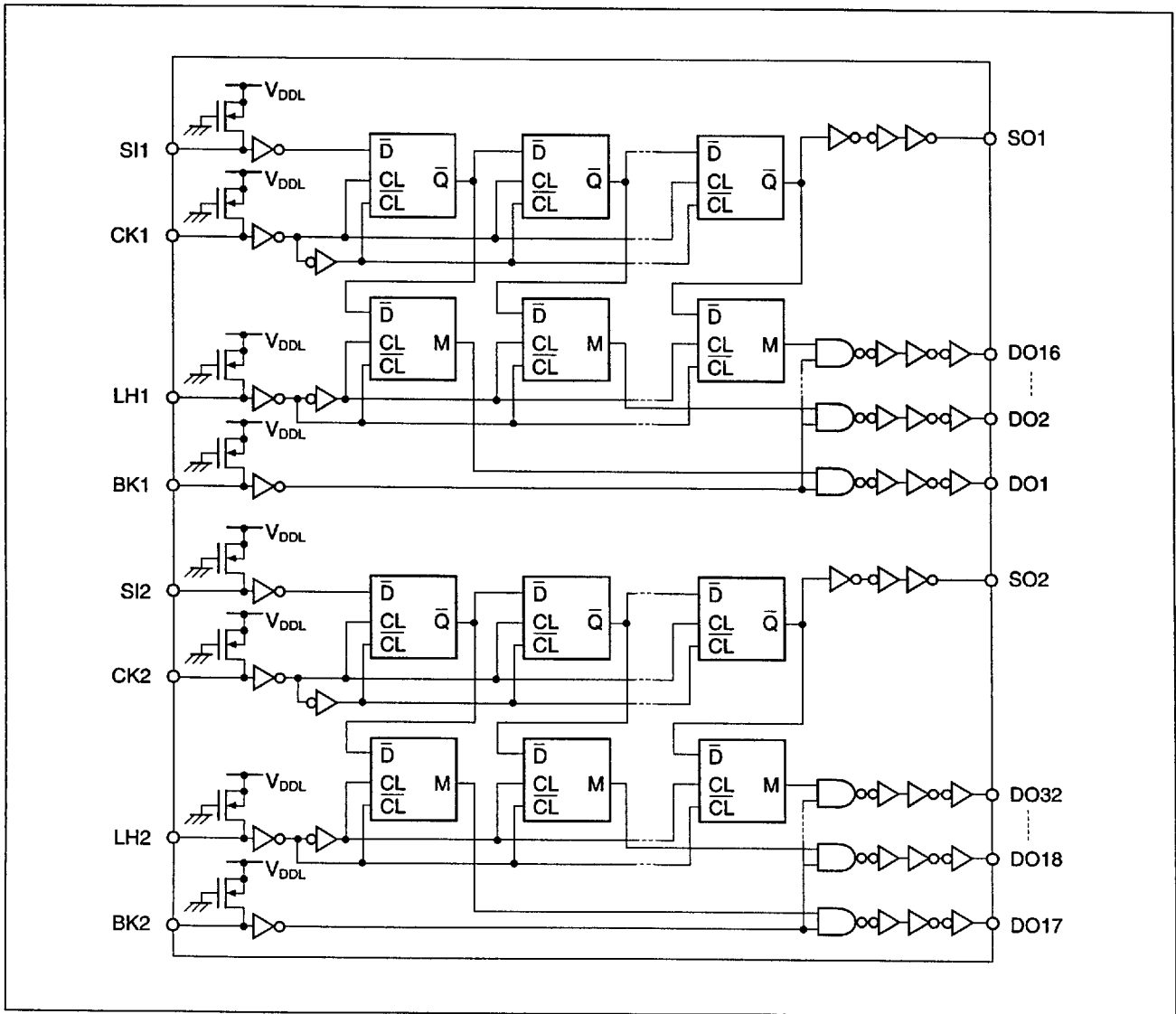
SED2020F_{OA/OB} uses a 5V logic supply and a 30 to 70V display supply, and is available in 44- or 46-pin plastic flatpacks.

1.2 FEATURES

- 20 anode or grid output drivers
- 70V, 10mA grid drive capability
- Up to 4 Mbits/s serial data transfer rate
- Daisy-chain data transfer system for cascaded operation
- Can be configured for 4-bit parallel data transfer
- Silicon-gate CMOS technology
- 5V logic supply
- 30 to 70V display supply
- 44- or 46-pin plastic flatpack (QFP2-44pin [F_{OB}] and QFP1-46pin [F_{OA}])

THIS PAGE INTENTIONALLY BLANK

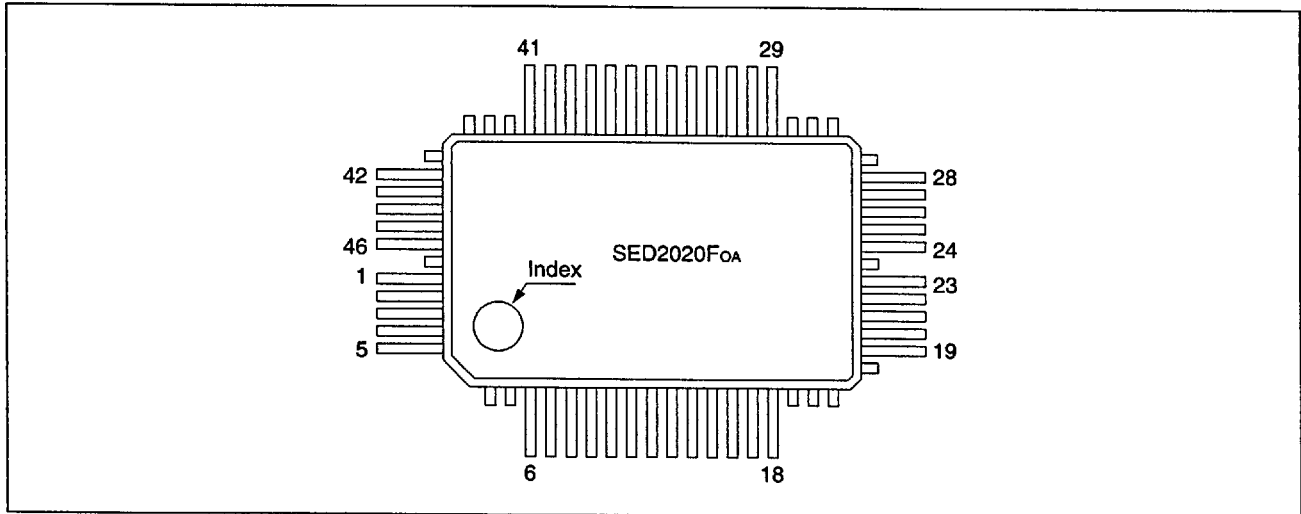
2.0 BLOCK DIAGRAM



THIS PAGE INTENTIONALLY BLANK

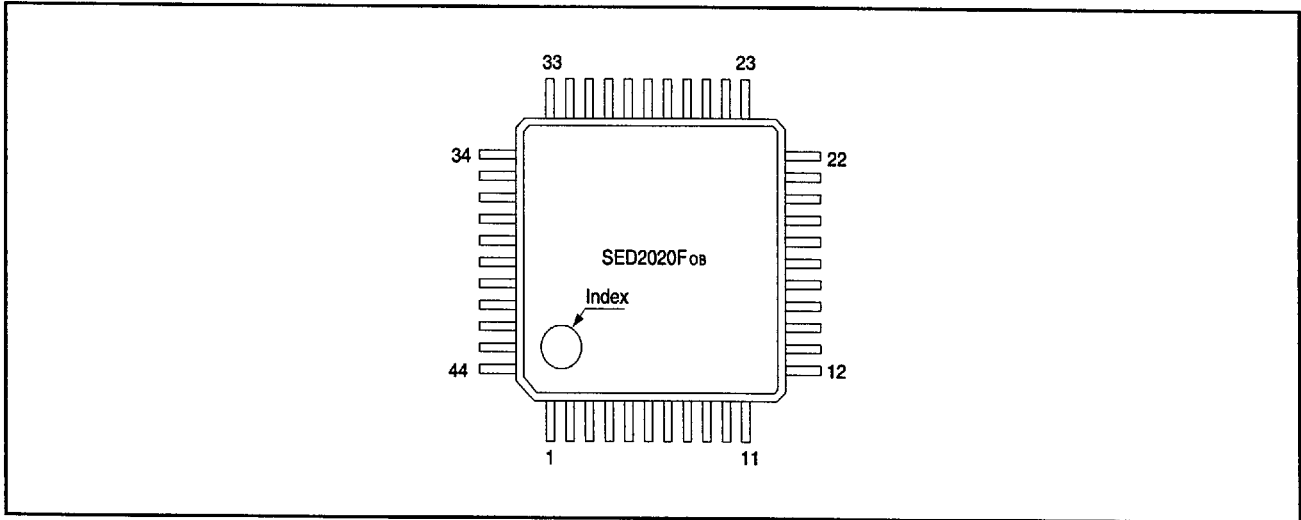
3.0 PIN CONFIGURATION

3.1 SED2020F_{0A}



Pin		Pin		Pin		Pin	
Number	Name	Number	Name	Number	Name	Number	Name
1	SI2	13	DO16	25	NC	37	DO3
2	CK2	14	DO17	26	SO1	38	DO2
3	LH2	15	DO18	27	NC	39	DO1
4	V _{DDL}	16	DO19	28	NC	40	NC
5	V _{SS}	17	DO20	29	NC	41	NC
6	V _{DDH}	18	NC	30	DO10	42	BK2
7	NC	19	NC	31	DO9	43	BK1
8	DO11	20	NC	32	DO8	44	LH1
9	DO12	21	SO2	33	DO7	45	CK1
10	DO13	22	NC	34	DO6	46	SI1
11	DO14	23	NC	35	DO5		
12	DO15	24	NC	36	DO4		

3.2 SED2020F₀₈



Pin		Pin		Pin		Pin	
Number	Name	Number	Name	Number	Name	Number	Name
1	V _{DDH}	12	NC	23	DO10	34	BK2
2	DO11	13	NC	24	DO9	35	BK1
3	DO12	14	NC	25	DO8	36	NC
4	DO13	15	SO2	26	DO7	37	LH1
5	DO14	16	NC	27	DO6	38	CK1
6	DO15	17	NC	28	DO5	39	SI1
7	DO16	18	NC	29	DO4	40	SI2
8	DO17	19	NC	30	DO3	41	CK2
9	DO18	20	SO1	31	DO2	42	LH2
10	DO19	21	NC	32	DO1	43	V _{DDL}
11	DO20	22	NC	33	NC	44	V _{SS}

3.3 PIN DESCRIPTION

Number		Name	Description
SED2020FOA	SED2020FOB		
1	40	SI2	Serial data input 2
2	41	CK2	Serial data input clock 2
3	42	LH2	Active-HIGH data latch input 2
4	43	V _{DDL}	5V logic supply input
5	44	V _{SS}	Ground
6	1	V _{DDH}	30 to 70V output driver supply input. Referenced to V _{SS}
7	36	NC	No connection
8 to 17	2 to 11	DO11 to DO20	Parallel data outputs
18 to 20	12 to 14	NC	No connection
21	15	SO2	Serial data output 2
22 to 25	16 to 19	NC	No connection
26	20	SO1	Serial data output 2
27 to 29	21, 22	NC	No connection
30 to 39	23 to 32	DO10 to DO1	Parallel data outputs
40, 41	33	NC	No connection
42	34	BK2	Active-HIGH blanking input 2. Used to disable output circuitry while parallel data is being latched.
43	35	BK1	Active-HIGH blanking input 1. Used to disable output circuitry while parallel data is being latched.
44	37	LH1	Active-HIGH data latch input 1
45	38	CK1	Serial data input clock 1
46	39	SI1	Serial data input 1

THIS PAGE INTENTIONALLY BLANK

4.0 ELECTRICAL CHARACTERISTICS

4.1 ABSOLUTE MAXIMUM RATINGS

 $V_{SS} = 0V, T_a = -10 \text{ to } 70^\circ\text{C}$

Parameter	Symbol	Ratings	Unit
Supply voltage (driver)	V_{DDH}	-0.3 to 70	V
Supply voltage (logic)	V_{DDL}	-0.3 to 7	V
Driver output voltage	V_{DO}	$V_{SS} - 0.3$ to $V_{DDH} + 0.3$	V
Input/output voltage	V_{IO}	$V_{SS} - 0.3$ to $V_{DDL} + 0.3$	V
Driver high level output current	I_{OHDO}	-15 to 0	mA
Driver low level output current	I_{OLDO}	0 to 3	mA
Power dissipation	P_D	0 to 250	mW
Operating temperature	T_{OPR}	-10 to 70	$^\circ\text{C}$
Storage temperature	T_{STG}	-65 to 150	$^\circ\text{C}$
Soldering temperature and time	T_{SOL}	260 $^\circ\text{C}$, 10s (at lead)	—

4.2 RECOMMENDED OPERATING CONDITIONS

Parameter	Symbol	Conditions	Min	Typ	Max	Unit
Supply voltage (driver)	V_{DDH}		30	60	70	V
Supply voltage (logic)	V_{DDL}		4.5	5.0	5.5	V
Input voltage	V_I		0	—	V_{DDL}	V
Input logic level	V_{LL}	TTL input level	—	1.55	—	
Driver high level output current	I_{OHDO}	Grid output	—	-10	—	mA
		Anode output	—	-0.5	—	mA
Clock frequency	f_{clock}	Cascade connection	0	—	4	MHz
Clock pulse width	tw_{clock}		125	—	—	ns
Setup time	t_{setup}		125	—	—	ns
Hold time	t_{hold}		0	—	—	ns
Latch pulse width	tw_{latch}		250	—	—	ns

4.3 DC ELECTRICAL CHARACTERISTICS

 $V_{DDL} = 5V, V_{DDH} = 60V, T_a = 25^{\circ}C$

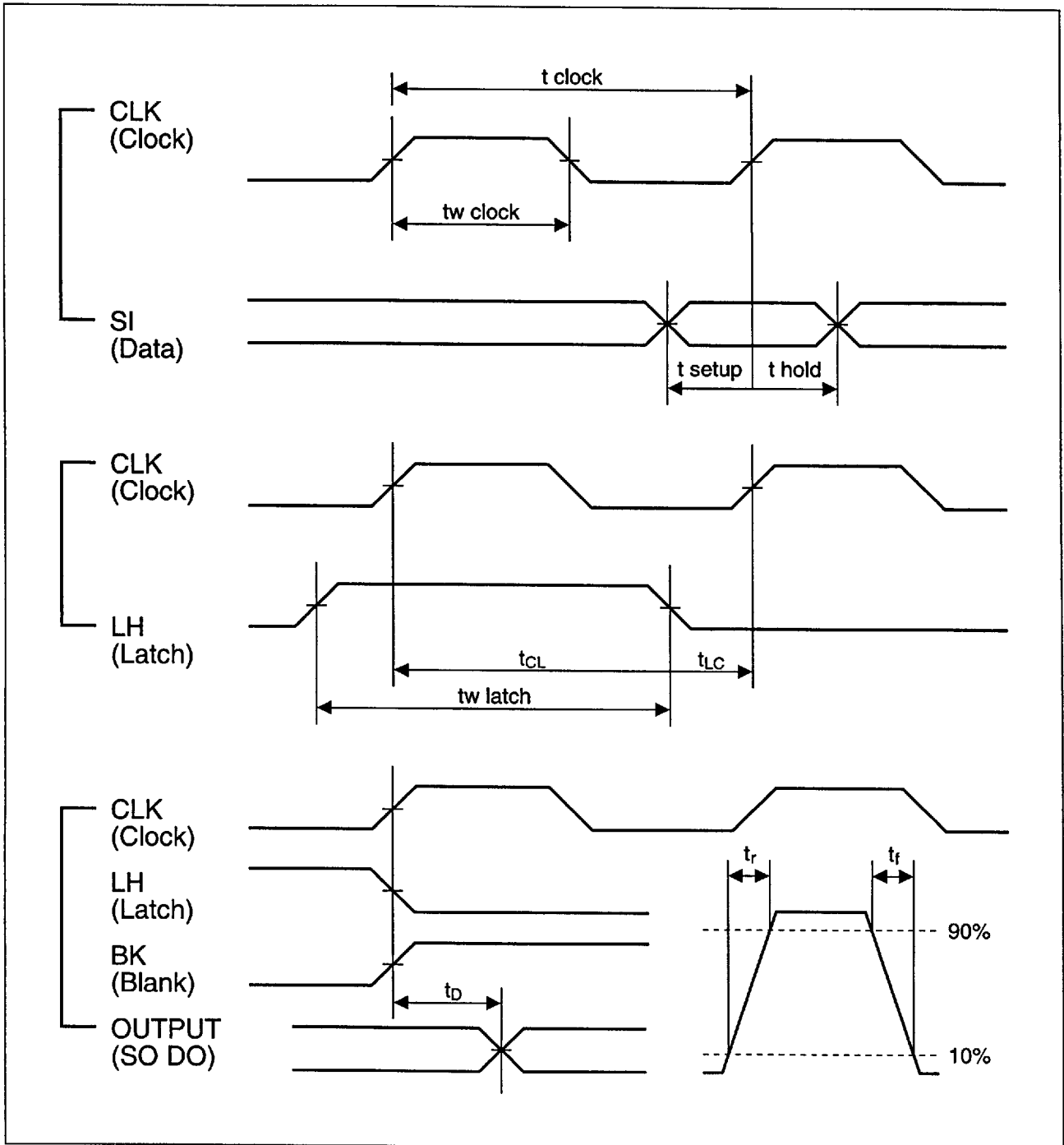
Parameter	Symbol	Conditions	Min	Typ	Max	Unit
High level input voltage	V_{IH}		2.4	—	V_{DDL}	V
Low level input voltage	V_{IL}		0	—	0.7	V
High level input current	I_{IH}	$V_{IH} = 5.3V$	—	33	100	μA
Low level input current	I_{IL}	$V_{IL} = 0V$	-160	-100	—	μA
High level output current	$I_{OH}(SO)$	$V_{OH} = 4.6V$	—	-1.4	-0.44	mA
Low level output current	$I_{OL}(SO)$	$V_{OL} = 0.4V$	1.6	2.1	—	mA
Supply current (V_{DDL})	I_{DDL}	f clock = 4MHz	—	—	5	mA
Supply current (V_{DDH})	I_{DDH}	At all drivers output "H"	—	—	2.0	mA
Driver high level output current	I_{OHDO}	$V_{OHDO} = 55V$ at output "H"	—	—	-10	mA
Driver low level output current	I_{OLDO}	$V_{OLDO} = 5V$ at output "L"	1	—	—	mA

4.4 AC ELECTRICAL CHARACTERISTICS

 $V_{DDL} = 5V, V_{DDH} = 60V, T_a = 25^{\circ}C$

Parameter	Symbol	Conditions	Min	Typ	Max	Unit
Clock latch delay time	tCL	1. Input signal conditions (1) Amplitude: 0–5V (2) Rise/fall time should be 15ns or less. (3) Measuring voltage should be 2.5V.	125	—	—	ns
Latch clock delay time	tLC		0	—	—	ns
Output(SO) rise time	tr (SO)		—	—	50	ns
Output(SO) fall time	tf (SO)	2. Output signal conditions (1) Standard loads are: 13pF, 10M Ω (2) Measuring voltage should be 2.5V or 1/2 of the amplitude.	—	—	50	ns
Clock(SO) delay time	tp (SO)		—	—	125	ns
Output(DO) rise time	tr (DO)		—	—	1	μs
Output(DO) fall time	tf (DO)		—	—	1	μs
BK–DO transfer time	tp (DO)		—	—	2	μs

4.5 TIMING CHART



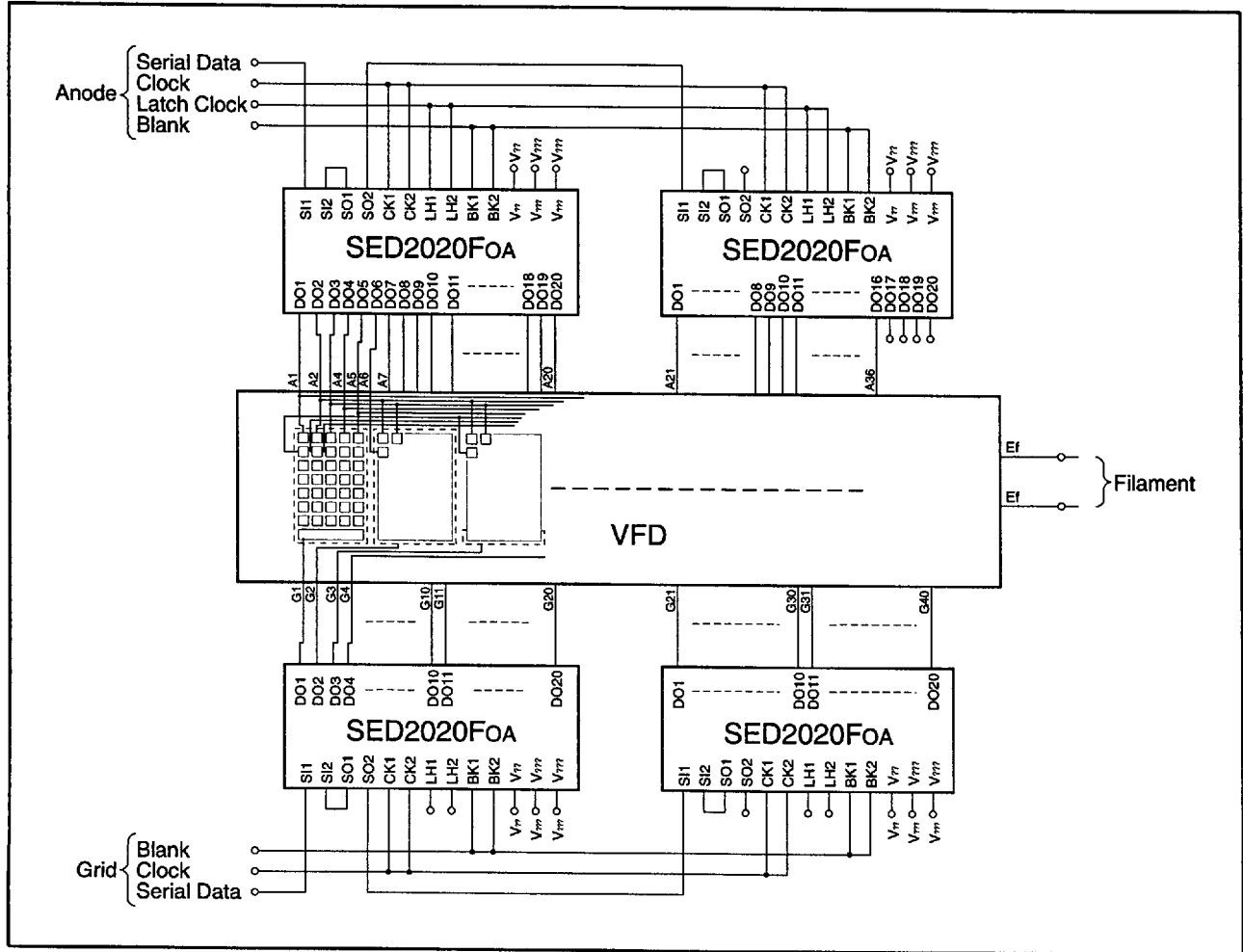
4.5 – 4.5

4.0 Electrical Characteristics

THIS PAGE INTENTIONALLY BLANK

5.0 TYPICAL CONNECTIONS

5.1 EXAMPLE OF CONNECTING SED2020F'S TO VFD (1) <1 BIT SERIAL>



5.2 EXAMPLE OF CONNECTING SED2020F'S TO VFD (2) <4 BITS SERIAL>

