



Product List

- SM79164V16J/Q, 16MHz 64KB internal flash MCU
SM79164L20P, 20MHz 64KB internal flash MCU
SM79164L25J/Q, 25MHz 64KB internal flash MCU
SM79164C25P, 25MHz 64KB internal flash MCU
SM79164C35J/Q, 35MHz 64KB internal flash MCU

Description

The SM79164 series product is an 8-bit single chip micro controller with 64KB on-chip flash and 4K byte RAM embedded. It is a derivative of the 8052 micro controller family. It has 8-channel PWM build-in. User can access on-chip expanded RAM with easier and faster way by its 'bank mapping direct addressing mode' scheme. With its hardware features and powerful instruction set, it's straight forward to make it a versatile and cost effective controller for those applications which demand up to 32 I/O pins for PDIP package or up to 36 I/O pins for PLCC/QFP package, or applications which need up to 64K byte flash memory for program data. To program the on-chip flash memory, a commercial writer is available to do it in parallel programming method.

Ordering Information

yywww
SM79164ihhkL

yy: year, ww:month
v: version identifier {, A, B,...}
i:process identifier {V=2.4V~3.0V, L=3.0V ~ 3.6V, C=4.5V ~ 5.5V}
hh: working clock in MHz {20, 25, 35}
k: package type postfix {as below table}
L:PB free identifier
No text is Non- PB free , "P" is PB free

Table with 4 columns: Postfix, Package, Pin/Pad Configuration, Dimension. Rows include P (40L PDIP), J (44L PLCC), and Q (44L QFP).

Features

- Working voltage: 2.4V ~ 3.0V For V Version, 3.0V ~ 3.6V For L Version, 4.5V ~ 5.5V For C Version
General 8052 family compatible
12 clocks per machine cycle
64K byte on chip program flash
4096 byte on-chip data RAM
Three 16 bit Timers/Counters
One Watch Dog Timer
Four 8-bit I/O ports for PDIP package
Four 8-bit I/O ports + one 4-bit I/O ports for PLCC or QFP package
Full duplex serial channel
Bit operation instruction
Industrial Level
8-bit Unsigned Division
8-bit Unsigned Multiply
BCD arithmetic
Direct Addressing
Indirect Addressing
Nested Interrupt
Two priority level interrupt
A serial I/O port
Power save modes: Idle mode and Power down mode
Code protection function
Low EMI (inhibit ALE)
Bank mapping direct addressing mode for access on-chip RAM
8 channel PWM function with P1.0 ~ P1.7

Taiwan
6F, No. 10-2 Li - Hsinchu First Road ,
Science-based Industrial Park,
Hsinchu, Taiwan 30078

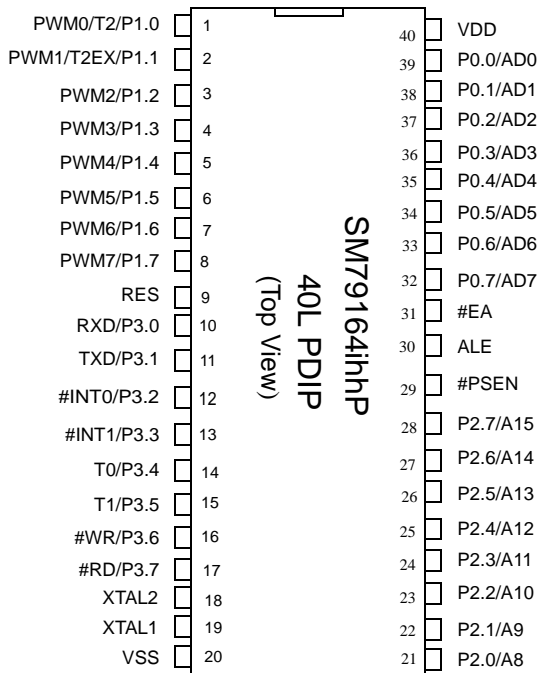
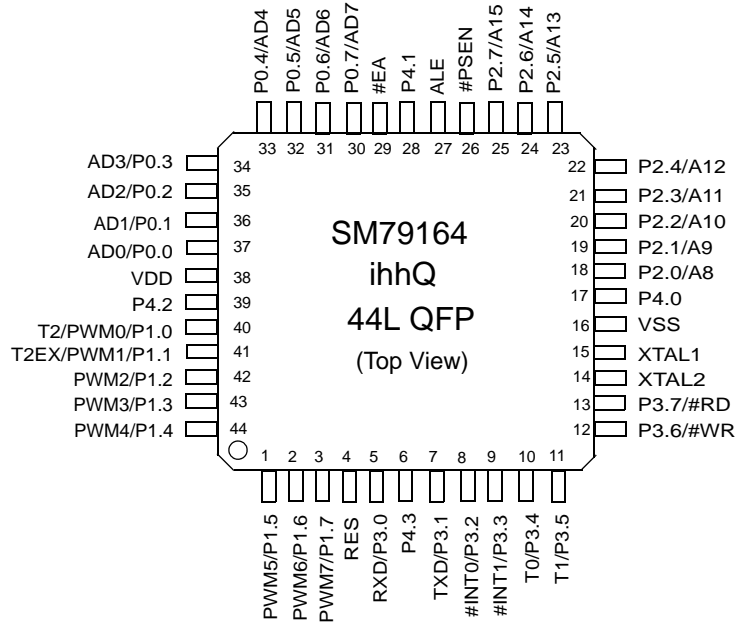
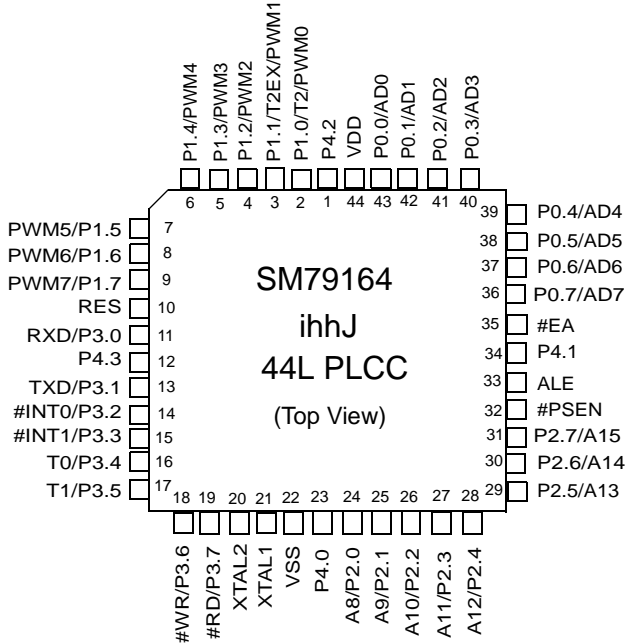
TEL: 886-3-5671820
886-3-5671880
FAX: 886-3-5671891
886-3-5671894

Web site: http://www.syncmos.com.tw

Specifications subject to change without notice,contact your sales representatives for the most recent information.



Pin Configurations



Specifications subject to change without notice, contact your sales representatives for the most recent information.



Pin Descriptions

40L PDIP Pin#	44L QFP Pin#	44L PLCC Pin#	Symbol	Active	I/O	Names
1	40	2	P1.0/T2/PWM0		i/o	bit 0 of port 1 & timer 2 clock out , PWM channel 0
2	41	3	P1.1/T2EX/PWM1		i/o	bit 1 of port 1 & timer 2 control , PWM channel 1
3	42	4	P1.2/PWM2		i/o	bit 2 of port 1 & PWM channel 2
4	43	5	P1.3/PWM3		i/o	bit 3 of port 1 & PWM channel 3
5	44	6	P1.4/PWM4		i/o	bit 4 of port 1 & PWM channel 4
6	1	7	P1.5/PWM5		i/o	bit 5 of port 1 & PWM channel 5
7	2	8	P1.6/PWM6		i/o	bit 6 of port 1 & PWM channel 6
8	3	9	P1.7/PWM7		i/o	bit 7 of port 1 & PWM channel 7
9	4	10	RES	H	i	Reset
10	5	11	P3.0/RXD		i/o	bit 0 of port 3 & Receive data
11	7	13	P3.1/TXD		i/o	bit 1 of port 3 & Transmit data
12	8	14	P3.2/#INT0	L/ -	i/o	bit 2 of port 3 & low true interrupt 0
13	9	15	P3.3/#INT1	L/ -	i/o	bit 3 of port 3 & low true interrupt 1
14	10	16	P3.4/T0		i/o	bit 4 of port 3 & Timer 0
15	11	17	P3.5/T1		i/o	bit 5 of port 3 & Timer 1
16	12	18	P3.6/#WR		i/o	bit 6 of port 3 & ext. memory write
17	13	19	P3.7/#RD		i/o	bit 7 of port 3 & ext. mem. read
18	14	20	XTAL2		o	Crystal out
19	15	21	XTAL1		i	Crystal in
20	16	22	VSS			Sink Voltage, Ground
21	18	24	P2.0/A8		i/o	bit 0 of port 2 & bit 8 of ext. memory address
22	19	25	P2.1/A9		i/o	bit 1 of port 2 & bit 9 of ext. memory address
23	20	26	P2.2/A10		i/o	bit 2 of port 2 & bit 10 of ext. memory address
24	21	27	P2.3/A11		i/o	bit 3 of port 2 & bit 11 of ext. memory address
25	22	28	P2.4/A12		i/o	bit 4 of port 2 & bit 12 of ext. memory address
26	23	29	P2.5/A13		i/o	bit 5 of port 2 & bit 13 of ext. memory address
27	24	30	P2.6/A14		i/o	bit 6 of port 2 & bit 14 of ext. memory address
28	25	31	P2.7/A15		i/o	bit 7 of port 2 & bit 15 of ext. memory address
29	26	32	#PSEN		o	program storage enable
30	27	33	ALE		o	address latch enable
31	29	35	#EA	L	i	external access
32	30	36	P0.7/AD7		i/o	bit 7 of port 0 & data/address bit 7 of ext. memory
33	31	37	P0.6/AD6		i/o	bit 6 of port 0 & data/address bit 6 of ext. memory
34	32	38	P0.5/AD5		i/o	bit 5 of port 0 & data/address bit 5 of ext. memory
35	33	39	P0.4/AD4		i/o	bit 4 of port 0 & data/address bit 4 of ext. memory
36	34	40	P0.3/AD3		i/o	bit 3 of port 0 & data/address bit 3 of ext. memory
37	35	41	P0.2/AD2		i/o	bit 2 of port 0 & data/address bit 2 of ext. memory
38	36	42	P0.1/AD1		i/o	bit 1 of port 0 & data/address bit 1 of ext. memory
39	37	43	P0.0/AD0		i/o	bit 0 of port 0 & data/address bit 0 of ext. memory
40	38	44	VDD			Drive Voltage, +5 Vcc
	17	23	P4.0		i/o	bit 0 of Port 4
	28	34	P4.1		i/o	bit 1 of Port 4
	39	1	P4.2		i/o	bit 2 of Port 4
	6	12	P4.3		i/o	bit 3 of Port 4

Specifications subject to change without notice,contact your sales representatives for the most recent information.



Special Function Register (SFR)

The address \$80 to \$FF can be accessed by direct addressing mode only.

Address \$80 to \$FF is SFR area.

The following table lists the SFRs which are identical to general 8052, as well as SM79164 Extension SFRs.

Special Function Register (SFR) Memory Map

\$F8										\$FF
\$F0	B									\$F7
\$E8										\$EF
\$E0	ACC									\$E7
\$D8	P4			PWMC4	PWMC5	PWMC6	PWMC7			\$DF
\$D0	PSW			PWMC0	PWMC1	PWMC2	PWMC3			\$D7
\$C8	T2CON	T2MOD	RCAP2L	RCAP2H	TL2	TH2				\$CF
\$C0										\$C7
\$B8	IP			PWMD4	PWMD5	PWMD6	PWMD7	SCONF		\$BF
\$B0	P3			PWMD0	PWMD1	PWMD2	PWMD3			\$B7
\$A8	IE									\$AF
\$A0	P2									\$A7
\$98	SCON	SBUF		P1CON					WDTC	\$9F
\$90	P1								WDTKET	\$97
\$88	TCON	TMOD	TL0	TL1	TH0	TH1				\$8F
\$80	P0	SP	DPL	DPH	(Reserved)	RCON	DBANK	PCON		\$87

Note: The text of SFRs with bold type characters are Extension Special Function Registers for SM79164

Addr	SFR	Reset	7	6	5	4	3	2	1	0
85H	RCON	00H					RAMS3	RAMS2	RAMS1	RAMS0
86H	DBANK	0*000001	BSE		BS5	BS4	BS3	BS2	BS1	BS0
97H	WDTKEY	00H	WDTKEY7	WDTKEY6	WDTKEY5	WDTKEY4	WDTKEY3	WDTKEY2	WDTKEY1	WDTKEY0
9BH	P1CON	00H	PWME7	PWME6	PWME5	PWME4	PWME3	PWME2	PWME1	PWME0
9FH	WDTC	0*0**000	WDTE	Reserve	CLEAR			PS2	PS1	PS0
B3H	PWMD0	00H	PWMD07	PWMD06	PWMD05	PWMD04	PWMD03	PWMD02	PWMD01	PWMD00
B4H	PWMD1	00H	PWMD17	PWMD16	PWMD15	PWMD14	PWMD13	PWMD12	PWMD11	PWMD10
B5H	PWMD2	00H	PWMD27	PWMD26	PWMD25	PWMD24	PWMD23	PWMD22	PWMD21	PWMD20
B6H	PWMD3	00H	PWMD37	PWMD36	PWMD35	PWMD34	PWMD33	PWMD32	PWMD31	PWMD30
BBH	PWMD4	00H	PWMD47	PWMD46	PWMD45	PWMD44	PWMD43	PWMD42	PWMD41	PWMD40
BCH	PWMD5	00H	PWMD57	PWMD56	PWMD55	PWMD54	PWMD53	PWMD52	PWMD51	PWMD50
BDH	PWMD6	00H	PWMD67	PWMD66	PWMD65	PWMD64	PWMD63	PWMD62	PWMD61	PWMD60
BEH	PWMD7	00H	PWMD77	PWMD76	PWMD75	PWMD74	PWMD73	PWMD72	PWMD71	PWMD70



Addr	SFR	Reset	7	6	5	4	3	2	1	0
BFH	SCONF	0****00	WDR						OME	ALEI
C8H	T2CON	00H	TF2	EXF2	RCLK	TCLK	EXEN2	TR2	C/T2	CP/RL2
C9H	T2MOD	*****00							T2OE	DCEN
D3H	PWMC0	*****000						PBS0	PFS01	PFS00
D4H	PWMC1	*****000						PBS1	PFS11	PFS10
D5H	PWMC2	*****000						PBS2	PFS21	PFS20
D6H	PWMC3	*****000						PBS3	PFS31	PSF30
DBH	PWMC4	*****000						PBS4	PFS41	PFS40
DCH	PWMC5	*****000						PBS5	PFS51	PFS50
DDH	PWMC6	*****000						PBS6	PFS61	PFS60
DEH	PWMC7	*****000						PBS7	PFS71	PSF70
D8H	P4	****1111					P4.3	P4.2	P4.1	P4.0

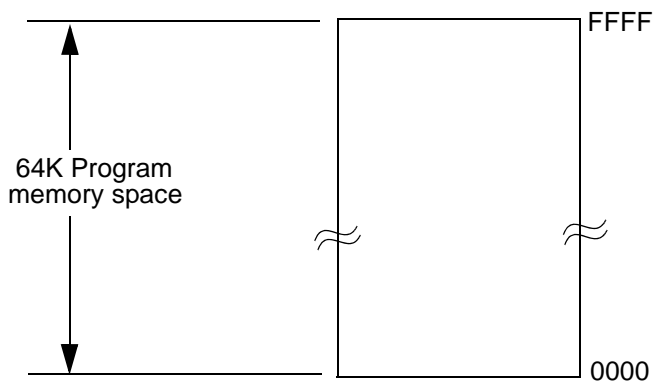
Extension Function Description

1. Memory Structure

The SM79164 is the general 8052 hardware core as a single chip micro controller. Its memory structure follows general 8052 structure.

1.1 Program Memory

The SM79164 has 64K byte on-chip flash memory which used as general program memory. The address range for the 64K byte is \$0000 to \$FFFF.



Note: The single flash block address structure for doing as well as program ROM flash.

1.2 Data Memory

The SM79164 has 4K bytes on-chip RAM, 256 bytes of it are the same as general 8052 internal memory structure while the expanded 3840 bytes on-chip RAM can be accessed by external memory addressing method (by instruction MOVX), or by 'Bank mapping direct addressing mode' as described in page 8.



BS5	BS4	BS3	BS2	BS1	BS0	040h ~ 07fh mapping address	Note
0	0	0	0	0	0	000h ~ 03fh	lower 128 byte RAM
0	0	0	0	0	1	040h ~ 07fh	lower 128 byte RAM
0	0	0	0	1	0	080h ~ 0bfh	higher 128 byte RAM
0	0	0	0	1	1	0c0h ~ 0ffh	higher 128 byte RAM
0	0	0	1	0	0	0000h ~ 003fh	on-chip expanded 3840 byte RAM
0	0	0	1	0	1	0040h ~ 007fh	"
0	0	0	1	1	0	0080h ~ 00bfh	"
0	0	0	1	1	1	00c0h ~ 00ffh	"
0	0	1	0	0	0	0100h ~ 013fh	"
0	0	1	0	0	1	0140h ~ 017fh	"
0	0	1	0	1	0	0180h ~ 01bfh	"
0	0	1	0	1	1	01c0h ~ 01ffh	"
0	0	1	1	0	0	0200h ~ 023fh	"
0	0	1	1	0	1	0240h ~ 027fh	"
0	0	1	1	1	0	0280h ~ 02bfh	"
0	0	1	1	1	1	02c0h ~ 02ffh	"
0	1	0	0	0	0	0300h ~ 033fh	"
0	1	0	0	0	1	0340h ~ 037fh	"
0	1	0	0	1	0	0380h ~ 03bfh	"
0	1	0	0	1	1	03c0h ~ 03ffh	"
0	1	0	1	0	0	0400h ~ 043fh	"
0	1	0	1	0	1	0440h ~ 047fh	"
0	1	0	1	1	0	0480h ~ 04bfh	"
0	1	0	1	1	1	04c0h~04ffh	"
1	1	1	0	0	1	0d40h ~ 0d7fh	"
1	1	1	0	1	0	0d80h ~ 0dbfh	"
1	1	1	0	1	1	0dc0h ~ 0dffh	"
1	1	1	1	0	0	0e00h ~ 0e3fh	"
1	1	1	1	0	1	0e40h ~ 0e7fh	"
1	1	1	1	1	0	0e80h ~ 0ebfh	"
1	1	1	1	1	1	0ec0h ~ 0effh	"



With this bank mapping scheme, user can access entire 4k byte on-chip RAM with direct addressing method. That means using the window area (\$040~\$07F), user can access any bank (64 byte) data of 4k byte on-chip RAM space which is selected by BS[5:0] of data bank control register (DBANK, \$86).

For example, user write #30h to \$101 address:

```
MOV DBANK, #88H ; set bank mapping $040~$07f to $0100~$013f
MOV A, #30H ; store #30H to A
MOV 41H, A ; write #30H to $0101 address
```

Data Bank Control Register (DBANK, \$86)

Table with 8 columns (BSE, Unused, BS5, BS4, BS3, BS2, BS1, BS0) and 3 rows (Read / Write, Reset value). Bit positions bit-7 and bit-0 are indicated above the columns.

Data bank select enable bit BSE = 1 enables the data bank select function
Data bank select enable bit BSE = 0 disables the data bank select function
BS[5:0] setting will map \$040~\$07F RAM space to entire 4k byte on-chip RAM space.

Internal RAM Control Register (RCON, \$85)

Table with 8 columns (Unused, Unused, Unused, Unused, RAMS3, RAMS2, RAMS1, RAMS0) and 3 rows (Read / Write, Reset value). Bit positions bit-7 and bit-0 are indicated above the columns.

SM79164 has 3840 byte on-chip RAM which can be accessed by external memory addressing method only. (By instruction MOVX). The address space of instruction MOVX @Rn is determined by bit 3, bit2, bit1, bit 0 (RAMS3, RAMS2, RAMS1, RAMS0) of RCON. The default setting of RAMS3, RAMS2, RAMS1, RAMS0 bits is 0000 (page0).



RAMS3	RAMS2	RAMS1	RAMS0	MOVX @Ri i=0,1 mapping to expended RAM address
0	0	0	0	\$0000 ~ \$00FF
0	0	0	1	\$0100 ~ \$01FF
0	0	1	0	\$0200 ~ \$02FF
0	0	1	1	\$0300 ~ \$03FF
0	1	0	0	\$0400 ~ \$04FF
0	1	0	1	\$0500 ~ \$05FF
0	1	1	0	\$0600 ~ \$06FF
0	1	1	1	\$0700 ~ \$07FF
1	0	0	0	\$0800 ~ \$08FF
1	0	0	1	\$0900 ~ \$09FF
1	0	1	0	\$0A00 ~ \$0AFF
1	0	1	1	\$0B00 ~ \$0BFF
1	1	0	0	\$0C00 ~ \$0CFF
1	1	0	1	\$0D00 ~ \$0DFF
1	1	1	0	\$0E00 ~ \$0EFF

The port 0, port2, port3.6 and port3.7 can be used as general purpose I/O pin while port0 is open-drain structure.

System Control Register (SCONF, \$BF)

	bit-7					bit-0	
	WDR	Unused	Unused	Unused	Unused	OME	ALEI
Read / Write:	R/W	-	-	-	-	R/W	R/W
Reset value:	0	*	*	*	*	0	0

- WDR : Watch Dog Timer Reset.
- OME : 3840 bytes on-chip RAM enable bit
- ALEI : ALE output inhibit bit, to reduce EMI

Setting bit 0 (ALEI) of SCONF can inhibit the clock signal in Fosc/6Hz output to the ALE pin.

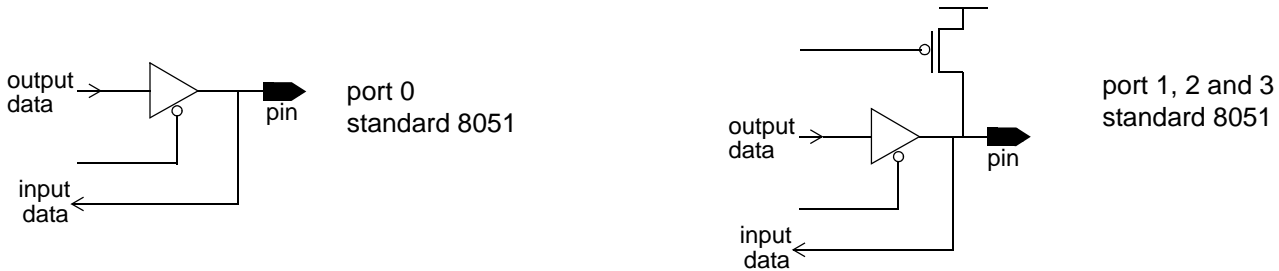
The bit 1 (OME) of SCONF can enable or disable the on-chip expanded 3840 byte RAM. The default setting of OME bit is 0 (disable).

The bit 7 (WDR) of SCONF is Watch Dog Timer Reset bit. It will be set to 1 when reset signal generated by WDT overflow. User should check WDR bit whenever un-predicted reset happened.



1.4 I/O Pin Configuration

The ports 1, 2 and 3 of standard 8051 have internal pull-up resistor, and port 0 has open-drain outputs. Each I/O pin can be used independently as an input or an output. For I/O ports to be used as an input pin, the port bit latch must contain a '1' which turns off the output driver FET. Then for port 1, 2 and 3 port pin is pulled high by a weak internal pull-up, and can be pulled low by an external source. The port 0 has open-drain outputs which means its pull-ups are not active during normal port operation. Writing '1' to the port 0 bit latch will causing bit floating so that it can be used as a high-impedance input. The port 4 used as GPIO will has the same function as port 1, 2 and 3.



2. Port 4 for PLCC or QFP package:

The bit addressable port 4 is available with PLCC or QFP package. The port 4 has only 4 pins and its port address is located at 0D8H. The function of port 4 is the same as the function of port 1, port 2 and port 3.

Port4 (P4, \$D8)

	bit-7				bit-0			
	Unused	Unused	Unused	Unused	P4.3	P4.2	P4.1	P4.0
Read / Write:	-	-	-	-	R/W	R/W	R/W	R/W
Reset value:	*	*	*	*	1	1	1	1

The bit 3, bit 2, bit 1, bit 0 output the setting to pin P4.3, P4.2, P4.1, P4.0 respectively.

3. Watch Dog Timer

The Watch Dog Timer (WDT) is a 16-bit free-running counter that generate reset signal if the counter overflows. The WDT is useful for systems which are susceptible to noise, power glitches, or electronics discharge which causing software dead loop or runaway. The WDT function can help user software recover from abnormal software condition. The WDT is different from Timer0, Timer1 and Timer2 of general 8052. To prevent a WDT reset can be done by software periodically clearing the WDT counter. User should check WDR bit of SCONF register whenever un-predicted reset happened.

The purpose of the secure procedure is to prevent the WDTC value from being changed when system runaway. There is a 250KHz RC oscillator embedded in chip. Set WDTE = "1" will enable the RC oscillator and the frequency is independent to the system frequency.

To enable the WDT is done by setting 1 to the bit 7 (WDTE) of WDTC. After WDTE set to 1, the 16-bit counter starts to count with the RC oscillator. It will generate a reset signal when overflows. The WDTE bit will be cleared to 0 automatically when SM79164 been reset, either hardware reset or WDT reset.

To reset the WDT is done by setting 1 to the CLEAR bit of WDTC before the counter overflow. This will clear the content of the 16-bit counter and let the counter re-start to count from the beginning.



3.1 Watch Dog Timer Registers:

Watch Dog Timer Registers - WDT Control Register (WDTC, \$9F)

	bit-7							bit-0
	WDTE	Reserve	CLEAR	Unused	Unused	PS2	PS1	PS0
Read / Write:	R/W	-	R/W	-	-	R/W	R/W	R/W
Reset value:	0	*	0	*	*	0	0	0

WDTE : Watch Dog Timer enable bit
 CLEAR : Watch Dog Timer reset bit
 PS[2:0] : Overflow period select bits

PS [2:0]	Overflow Period (ms)
000	2.048
001	4.096
010	8.192
011	16.384
100	32.768
101	65.536
110	131.072
111	262.144

Watch Dog Key Register - (WDTKEY, \$97H)

	bit-7							bit-0
	WDT KEY7	WDT KEY6	WDT KEY5	WDT KEY4	WDT KEY3	WDT KEY2	WDT KEY1	WDT KEY0
Read / Write:	W	W	W	W	W	W	W	W
Reset value:	0	0	0	0	0	0	0	0

By default, the WDTC is read only. User need to write values 1EH, E1H sequentially to the WDTKEY(\$97H) register to enable the WDTC write attribute, That is

```
MOV WDTKEY, # 1EH
MOV WDTKEY, # E1H
```

When WDTC is set, user need to write another values E1H, 1EH sequentially to the WDTKEY(\$97H) register to disable the WDTC write attribute, That is

```
MOV WDTKEY, # E1H
MOV WDTKEY, # 1EH
```

**Watch Dog Timer Register - System Control Register (SCONF, \$BF)**

	bit-7					bit-0		
	WDR	Unused	Unused	Unused	Unused	Unused	OME	ALEI
Read / Write:	R/W	-	-	-	-	-	R/W	R/W
Reset value:	0	*	*	*	*	*	0	0

The bit 7 (WDR) of SCONF is Watch Dog Timer Reset bit. It will be set to 1 when reset signal generated by WDT overflow. User should check WDR bit whenever un-predicted reset happened

4. Reduce EMI Function

The SM79164 allows user to reduce the EMI emission by setting 1 to the bit 0 (ALEI) of SCONF register. This function will inhibit the clock signal in Fosc/6Hz output to the ALE pin.

5. Pulse Width Modulation (PWM)

The Pulse Width Modulation (PWM) module contains 1 kind of PWM sub module: PWM. PWM also has four 8-bit channels.

5.1 PWM Function Description:

Each PWM channel contains a 8-bit wide PWM data register (PWMDR) to decide number of continuous pulses within a PWM frame cycle. The value programmed in the register will determine the pulse length of the output. The PWM channel can be configured as 5-bit or 8-bit resolution. If a channel is configured as 5-bit resolution, only LSB 5 bits are available. The value of each PWM Data Register (PWMDR) is continuously compared with the content of an internal counter to determine the state of each PWM channel output pin.

5.2 PWM Registers - P1CON[7:0], PWMC[7:0], PWMD[7:0]**PWM Registers - Port1 Configuration Register (P1CON, \$9B)**

	PWME7	PWME6	PWME5	PWME4	PWME3	PWME2	PWME1	PWME0
Read / Write:	R/W	R/W	R/W	R/W	R/W	R/W	R/W	R/W
Reset value:	0	0	0	0	0	0	0	0

PWM[7:0]E: When the bit set to one, the corresponding PWM pin is active as PWM function. When the bit reset to zero, the corresponding PWM pin is active as I/O pin. Five bits are cleared upon reset.

PWM Registers - PWM Control Register (PWMC[7:0], \$DE ~ \$DB, \$D6 ~ \$D3)

	bit-7					bit-0		
	Unused	Unused	Unused	Unused	Unused	PBS[7:0]	PFS[7:0]1	PFS[7:0]0
Read / Write:	-	-	-	-	-	R/W	R/W	R/W
Reset value:	*	*	*	*	*	0	0	0



PFS[7:0][1:0] : These two bits is 2's power parameter to form a frequency divider for input clock.

PBS[7:0] : This bit decides channel bit resolution. If PBS[7:0] is set, the channel is 5-bit resolution.

PFS[7:0]1	PFS[7:0]0	Divider	PWM clock, Fosc=12MHz	PWM clock, Fosc=24MHz
0	0	0.5	24MHz (note)	48MHz (note)
0	1	1	12MHz	24MHz
1	0	2	6MHz	12MHz
1	1	4	3KHz	6MHz

note : If X'tal > 24MHz, can not select PFS[1:0] = 00

PWM Registers - PWM Data Register (PWMD[7:0], \$BE ~ \$BB, \$B6 ~ \$B3)

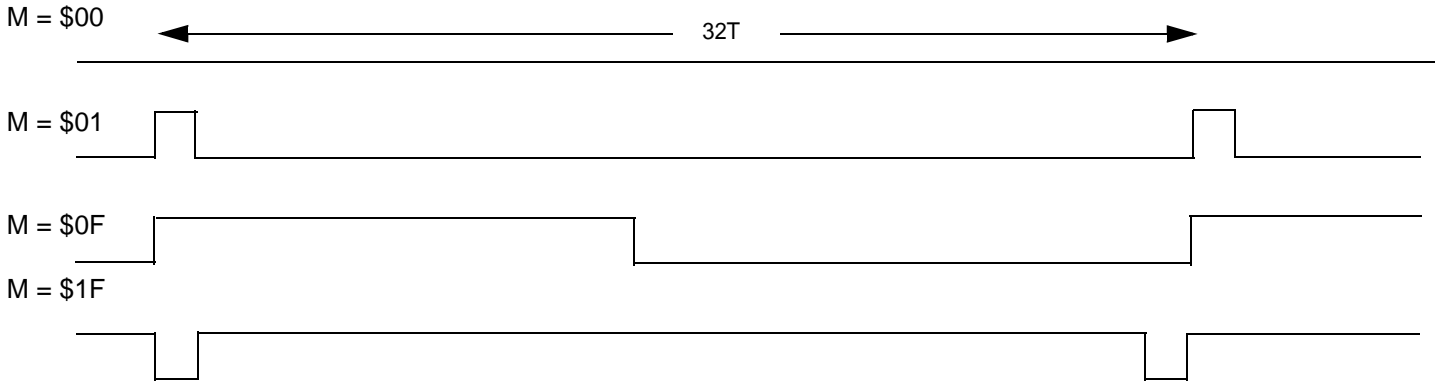
	bit-7						bit-0	
	PWMD [7:0]7	PWMD [7:0]6	PWMD [7:0]5	PWMD [7:0]4	PWMD [7:0]3	PWMD [7:0]2	PWMD [7:0]1	PWMD [7:0]0
Read / Write:	R/W	R/W	R/W	R/W	R/W	R/W	R/W	R/W
Reset value:	0	0	0	0	0	0	0	0

PWM[7:0][7:0] : content of PWM Data Register. If PBS[7:0] is set, only PWM[7:0][4:0] are available.]



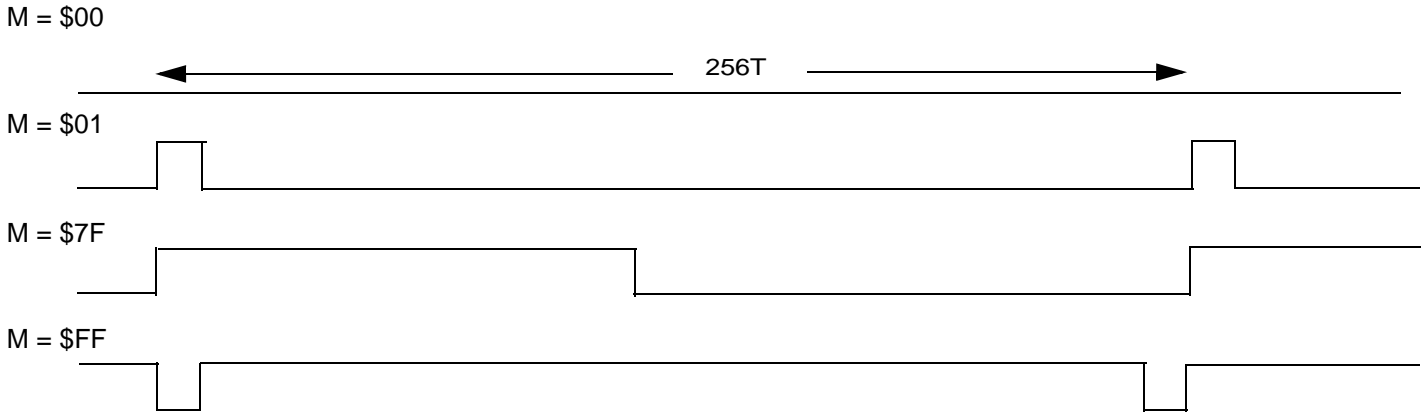
Example of PWM timing diagram:

For 5-bit resolution channel, M = content of PWMD[7:0]:



PWM Clock Frequency = $1/T = F_{osc} / \text{Divider}$
 The PWM output cycle frame frequency = PWM Clock frequency / 32

For 8-bit resolution channel:



PWM Clock Frequency = $1/T = F_{osc} / \text{Divider}$
 The PWM output cycle frame frequency = PWM Clock frequency / 256



Operating Conditions

Symbol	Description	Min.	Typ.	Max.	Unit.	Remarks
TA	Operating temperature	-40	25	85	°C	Ambient temperature under bias
VCC	Supply voltage	2.4	-	5.5	V	Note1
Fosc35	Oscillator Frequency	3.0	-	35	MHz	Note2

Note1: Operating Voltage (V=2.4V ~ 3.0V, L=3.0V ~ 3.6V, C=4.5V ~ 5.5V)

Note2: Working Frequency (V=16MHz for J/Q package, L=20MHz for P package, L=25MHz for J/Q package, C=25MHz for P package, C=35MHz for J/Q package)

DC Characteristics

(TA = -40 degree C to 85 degree C, Vcc = 2.4V to 5.5V)

Symbol	Parameter	Valid	Min.	Max.	Unit	Test Conditions
VIL1	Input Low Voltage	port 0,1,2,3,4,#EA	-0.5	0.8	V	
VIL2	Input Low Voltage	RES, XTAL1	0	0.8	V	
VIH1	Input High Voltage	port 0,1,2,3,4,#EA	2.0	Vcc+0.5	V	
VIH2	Input High Voltage	RES, XTAL1	70%Vcc	Vcc+0.5	V	
VOL1	Output Low Voltage	port 0, ALE, #PSEN		0.45	V	IOL=3.2mA
VOL2	Output Low Voltage	port 1,2,3,4		0.45	V	IOL=1.6mA
VOH1	Output High Voltage	port 0	2.4		V	IOH=-800uA (only for VCC=5V)
			90%Vcc		V	IOH=-80uA
VOH2	Output High Voltage	port 1,2,3,4,ALE,#PSEN	2.4		V	IOH=-60uA (only for VCC=5V)
			90%Vcc		V	IOH=-10uA
IIL	Logical 0 Input Current	port 1,2,3,4		-75	uA	Vin=0.45V
ITL	Logical Transition Current	port 1,2,3,4		-650	uA	Vin=2.0V
ILI	Input Leakage Current	port 0, #EA		± 10	uA	0.45V<Vin<Vcc
R RES	Reset Pulldown Resistance	RES	50	300	Kohm	
C IO	Pin Capacitance			10	pF	Freq=1MHz, Ta=25°C
I CC	Power Supply Current	Vdd		20	mA	Active mode, 16MHz
				6.5	mA	Idle mode, 16MHz
				50	uA	Power down mode

Note1: Under steady state (non-transient) conditions, IOL must be externally

Limited as follows: Maximum IOL per port pin : 10mA

Maximum IOL per 8-bit port : port 0 :26mA

port 1,2,3 :15mA

Maximum total IOL for all output pins : 71mA

If IOL exceeds the condition, VOL may exceed the related specification. Pins are not guaranteed to sink current greater than the listed test conditions.

Note2 : Minimum VCC for Power-down is 2V.

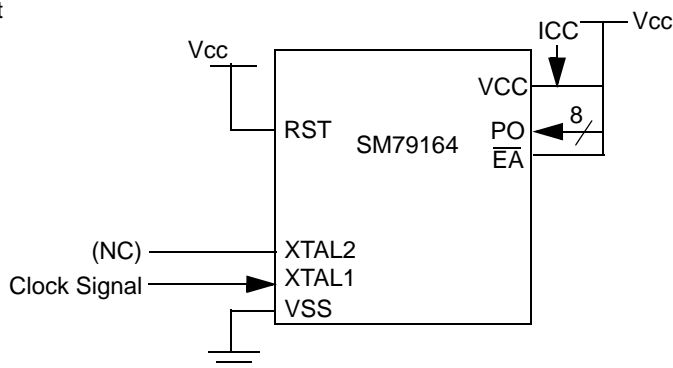


AC Characteristics

(20/25MHz, operating conditions; CL for Port 0, ALE and PSEN Outputs=100pF; CL for all Other Output=80pF)

Symbol	Parameter	Valid Cycle	fosc=16MHz			Variable fosc			Unit	Remarks
			Min.	Typ.	Max	Min.	Typ.	Max		
T LHLL	ALE pulse width	RD/WRT	115			2xT - 10			nS	
T AVLL	Address Valid to ALE low	RD/WRT	43			T - 20			nS	
T LLAX	Address Hold after ALE low	RD/WRT	53			T - 10			nS	
T LLIV	ALE low to Valid Instruction In	RD			240			4xT - 10	nS	
T LLPL	ALE low to #PSEN low	RD	53			T - 10			nS	
T PLPH	#PSEN pulse width	RD	173			3xT - 15			nS	
T PLIV	#PSEN low to Valid Instruction In	RD			177			3xT - 10	nS	
T PXIX	Instruction Hold after #PSEN	RD	0			0			nS	
T PXIZ	Instruction Float after #PSEN	RD			87			T + 25	nS	
T AVIV	Address to Valid Instruction In	RD			292			5xT - 20	nS	
T PLAZ	#PSEN low to Address Float	RD			10			10	nS	
T RLRH	#RD pulse width	RD	365			6xT - 10			nS	
T WLWH	#WR pulse width	WRT	365			6xT - 10			nS	
T RLDV	#RD low to Valid Data In	RD			302			5xT - 10	nS	
T RHDX	Data Hold after #RD	RD	0			0			nS	
T RHDZ	Data Float after #RD	RD			145			2xT + 20	nS	
T LLDV	ALE low to Valid Data In	RD			590			8xT - 10	nS	
T AVDV	Address to Valid Data In	RD			542			9xT - 20	nS	
T LLYL	ALE low to #WR High or #RD low	RD/WRT	178		197	3xT - 10		3xT + 10	nS	
T AVYL	Address Valid to #WR or #RD low	RD/WRT	230			4xT - 20			nS	
T QVWH	Data Valid to #WR High	WRT	403			7xT - 35			nS	
T QVWX	Data Valid to #WR transition	WRT	38			T - 25			nS	
T WHQX	Data hold after #WR	WRT	73			T + 10			nS	
T RLAZ	#RD low to Address Float	RD						5	nS	
T YALH	#WR or #RD high to ALE high	RD/WRT	53		72	T - 10		T + 10	nS	
T CHCL	clock fall time								nS	
T CLCX	clock low time								nS	
T CLCH	clock rise time								nS	
T CHCX	clock high time								nS	
T, TCLCL	clock period			63			1/fosc		nS	

ICC Active mode test circuit

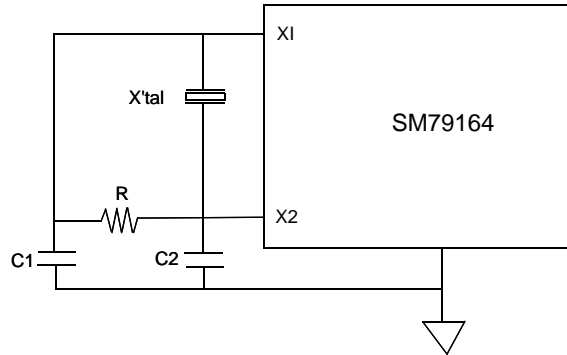


Specifications subject to change without notice, contact your sales representatives for the most recent information.



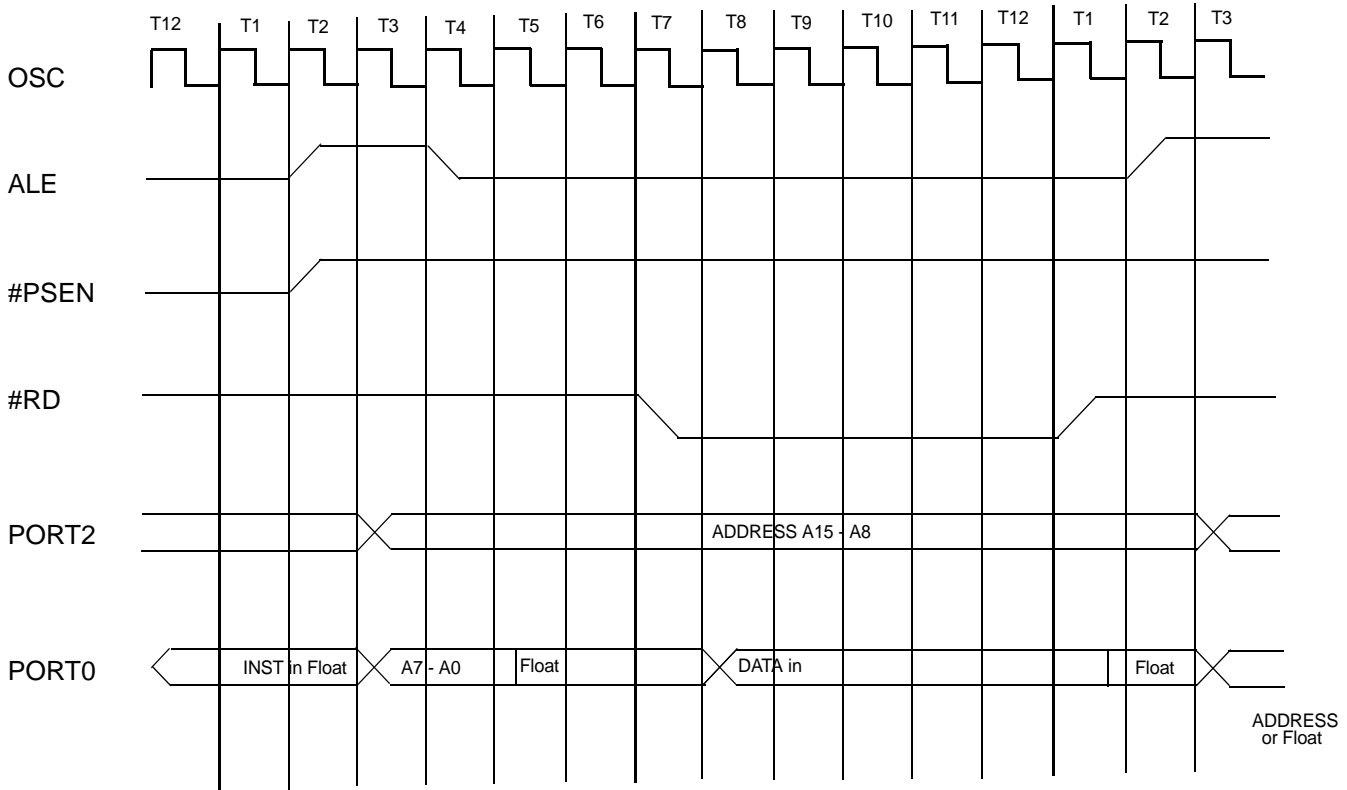
Application Reference

Valid for SM79164				
X'tal	3MHz	6MHz	9MHz	12MHz
C1	30 pF	30 pF	30 pF	30 pF
C2	30 pF	30 pF	30 pF	30 pF
R	open	open	open	open
X'tal	16MHz	25MHz	33MHz	
C1	30 pF	15 pF	5 pF	
C2	30 pF	15 pF	5 pF	
R	open	62KΩ	6.8KΩ	



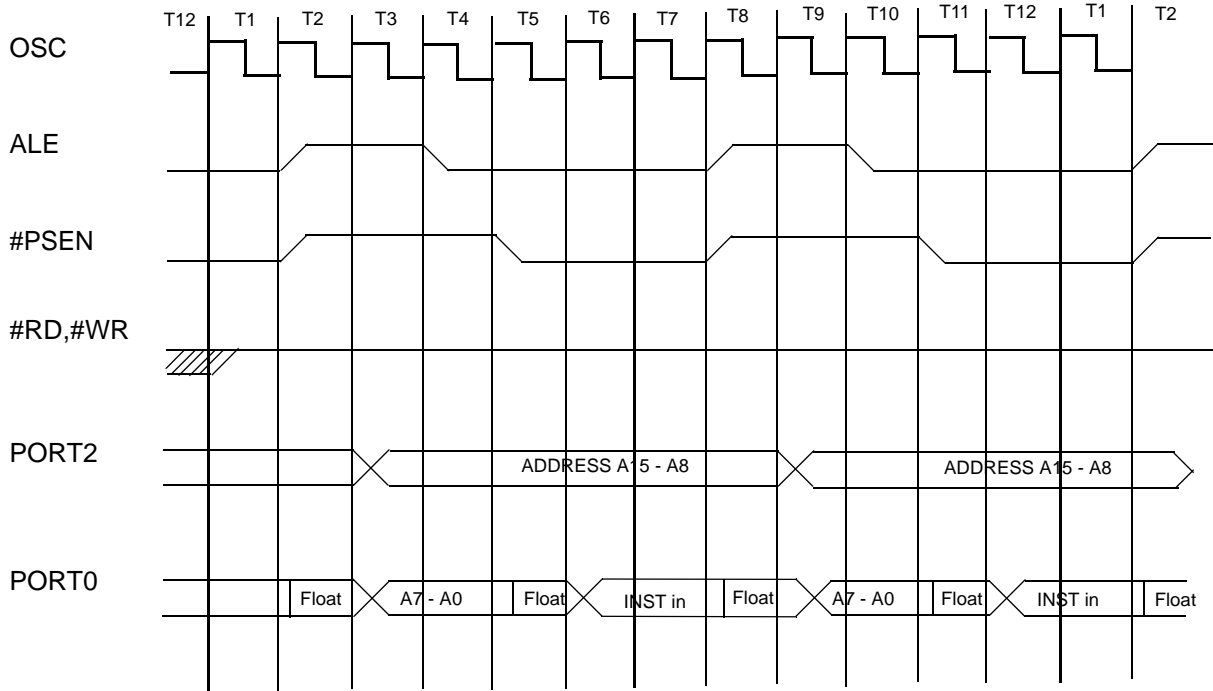
NOTE: Oscillation circuit may differ with different crystal or ceramic resonator in higher oscillation frequency which was due to each crystal or ceramic resonator has its own characteristics. User should check with the crystal or ceramic resonator manufacturer for appropriate value of external components.

Data Memory Read Cycle Timing

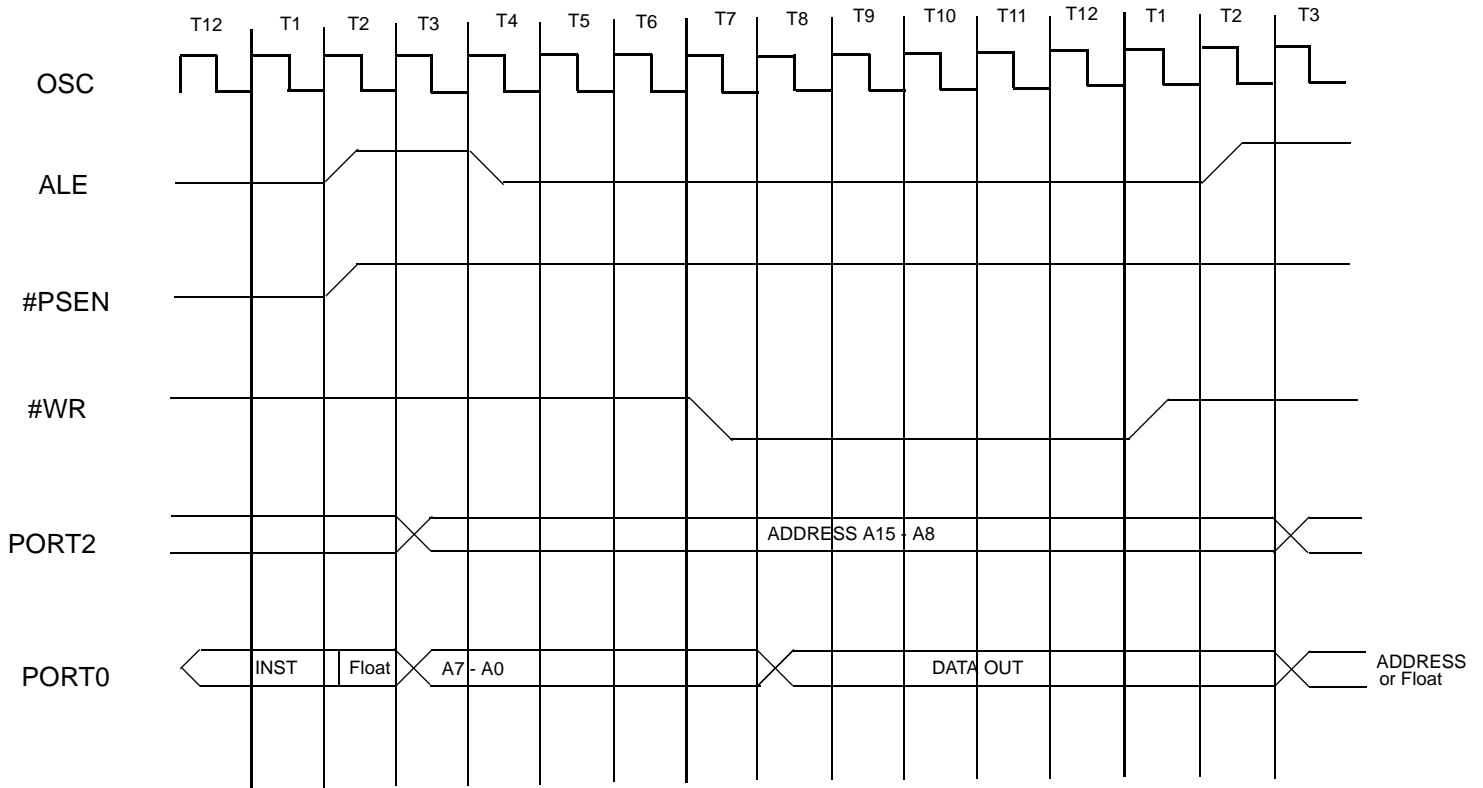




Program Memory Read Cycle Timing



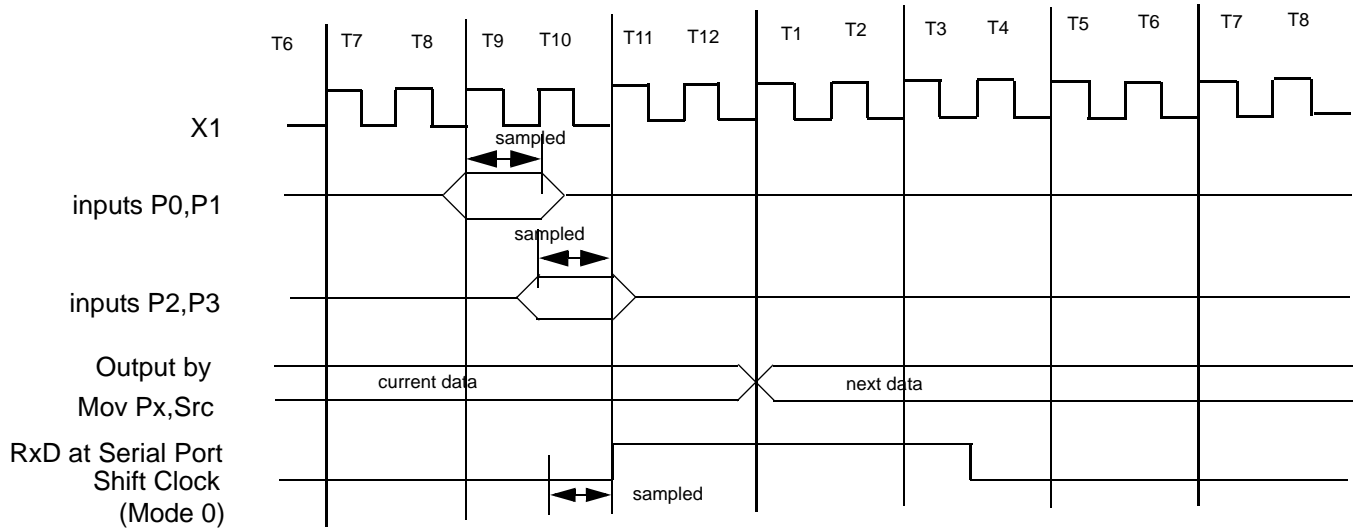
Data Memory Write Cycle Timing



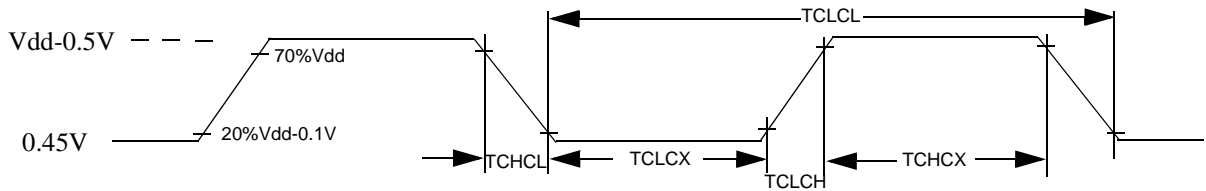
Specifications subject to change without notice, contact your sales representatives for the most recent information.



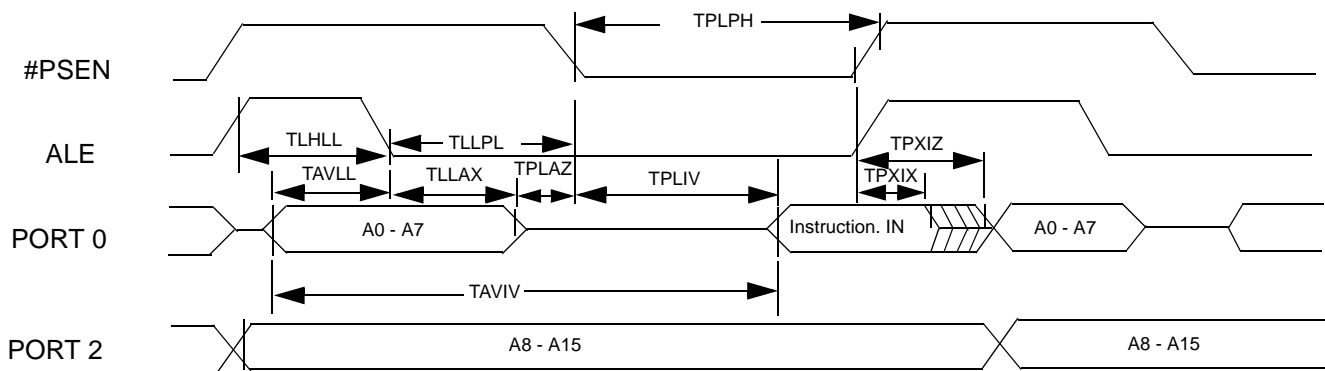
I/O Ports Timing



Timing Critical, Requirement of External Clock (V_{ss}=0.0V is assumed)

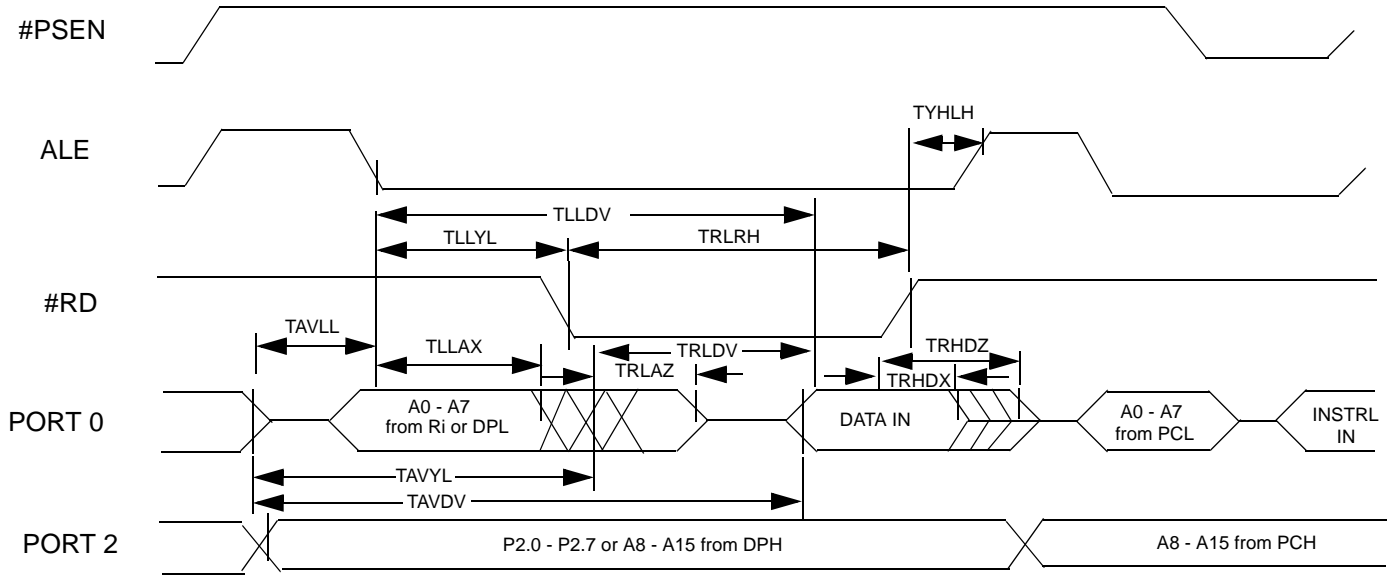


Tm.1 External Program Memory Read Cycle

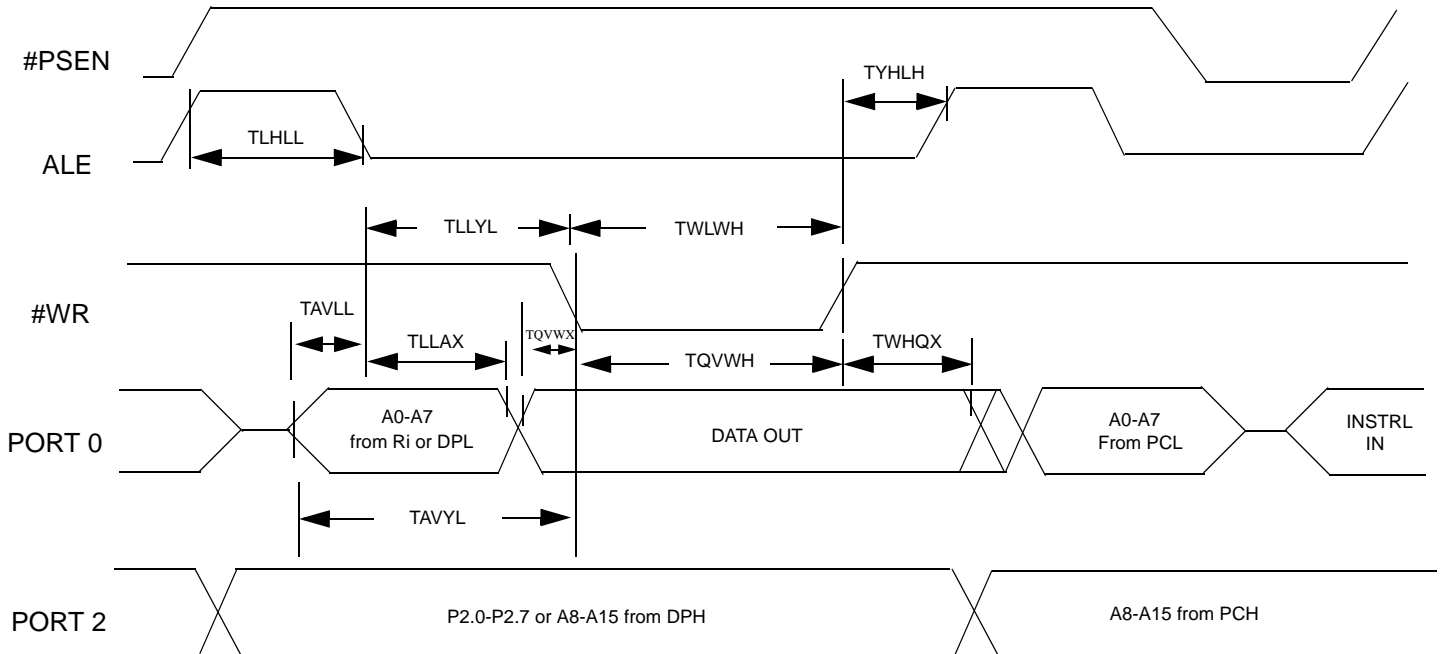




Tm.II External Data Memory Read Cycle

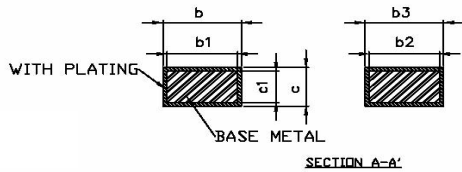
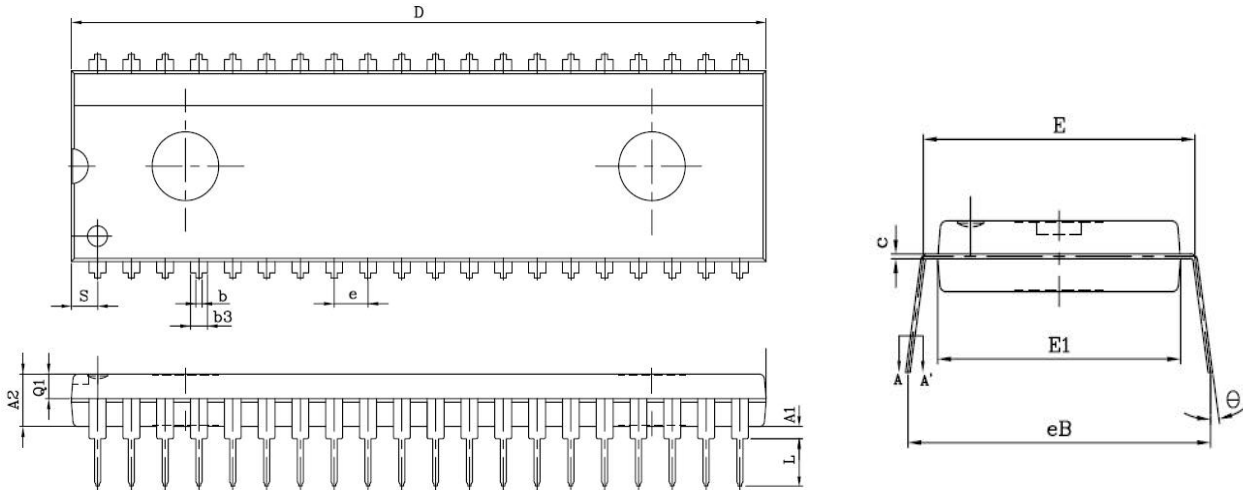


Tm.III External Data Memory Write Cycle





PDIP 40L (600mil) Package Information :



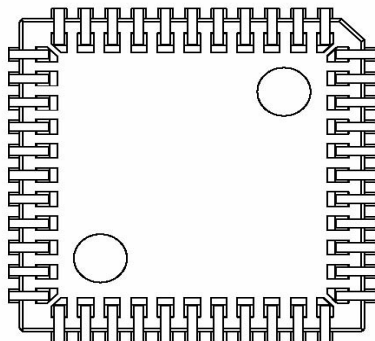
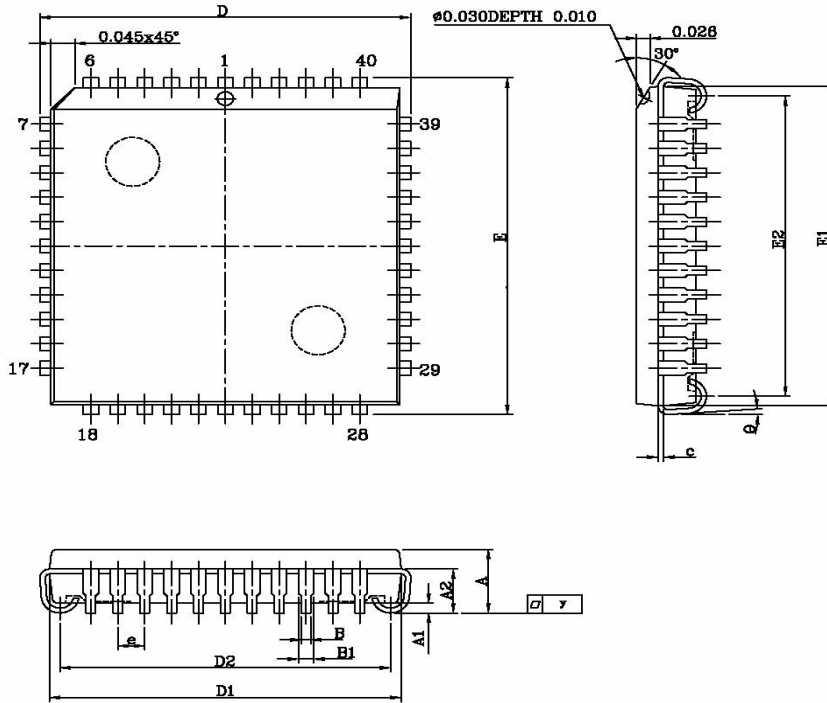
Symbol	Dimension in mm			Dimension in MIL		
	Min	Nom	Max	Min	Nom	Max
A1	0.254	—	—	10	—	—
A2	3.683	3.810	3.937	145	150	155
b	0.356	0.500	0.660	14	20	26
b1	0.356	0.457	0.508	14	18	22
b2	1.016	1.270	1.524	40	50	60
b3	1.016	1.321	1.626	40	52	64
c	0.203	0.254	0.432	8	10	17
c1	0.203	0.254	0.356	8	10	14
D	52.07	52.2	52.32	2050	2055	2060
E	14.99	15.24	15.49	590	600	610
E1	13.69	13.87	13.94	539	546	549
e	—	2.540	—	—	100	—
eB	15.75	16.26	16.76	620	640	660
L	2.921	3.302	3.683	115	130	145
S	1.727	1.981	2.235	68	78	88
Q1	1.651	1.778	1.905	65	70	75
θ	0°	—	10°	0°	—	10°

Note:

1. Refer to JEDEC STD.MS-011(AC).
2. Dimension D and E1 do not include mold protrusion. Allowable protrusion is 0.25 mm per side. D and E1 are maximum plastic body size dimension include mold mismatch.
3. Dimension b3 does not include dambar protrusion. Allowable dambar protrusion shall not cause the lead width to exceed the maximum b3 dimension by more than 0.2mm.



PLCC 44L Package Information :

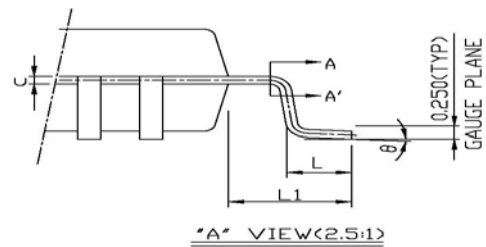
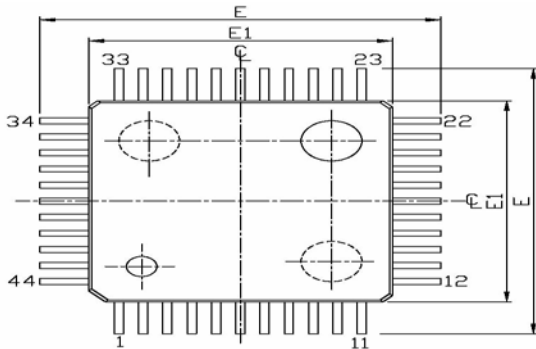
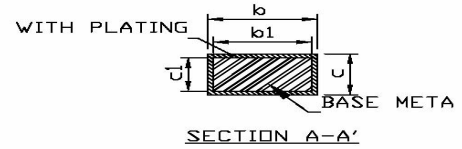
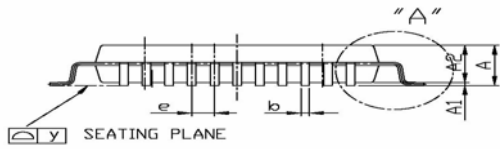


UNIT	INCH(REF)	MM(BASE)
SYMBOL		
A	0.180(MAX)	4.572(MAX)
A1	0.024 ±0.005	0.52 ±0.14
A2	0.105 ±0.005	2.667 ±0.127
B	0.018 + 0.004 - 0.002	0.457 + 0.102 - 0.051
B1	0.028 + 0.004 - 0.002	0.711 + 0.102 - 0.051
c	0.010(TYP)	0.254(TYP)
D	0.690 ±0.010	17.526 ±0.254
D1	0.653 ±0.003	16.586 ±0.076
D2	0.610 ±0.020	15.494 ±0.508
E	0.690 ±0.010	17.526 ±0.254
E1	0.653 ±0.003	16.586 ±0.076
E2	0.610 ±0.010	15.494 ±0.254
e	0.050(TYP)	1.270(TYP)
y	0.003(MAX)	0.076(MAX)
θ	0~5°	0~5°

Specifications subject to change without notice, contact your sales representatives for the most recent information.



QFP 44L (10x10x2.0mm) Package Information :



Note:

1. Refer to JEDC STD.MS-022(AB).
2. Dimension E1 do not include mold protrusion. Allowable protrusion is 0.25mm per side. E1 are maximum plastic body size dimension include mold mismatch .
3. Dimension b does not include dambar protrusion .Allowable dambar protrusion shall not cause the lead width to exceed the maximum b3 dimension by more than 0.1 mm.

Symbol	Dimension in mm			Dimension in MIL		
	Min	Nom	Max	Min	Nom	Max
A	—	—	2.45	—	—	964
A1	0.05	0.15	0.25	2.1	6.0	9.6
A2	1.90	2.00	2.10	74.8	78.7	82.7
b	0.29	0.32	0.45	11.4	12.6	17.7
b1	0.29	0.30	0.41	11.4	11.8	16.1
c	0.11	0.17	0.23	4.3	6.7	9.1
c1	0.11	0.15	0.19	4.3	5.9	7.5
E	13.00	13.20	13.40	512	520	528
E1	9.90	10.00	10.10	390	394	398
[e]	—	0.800	—	—	31.5	—
L	0.73	0.88	1.03	28.7	34.6	40.6
L1	1.50	1.60	1.70	59.1	63.0	66.9
y	—	—	0.076	—	—	3
θ	0°	—	7°	0°	—	7°

Specifications subject to change without notice, contact your sales representatives for the most recent information.



eMCU writer list		
Company	Contact info	Programmer Model Number
<u>Advantech</u> 7F, No.98, Ming-Chung Rd., Shin-Tien City, Taipei, Taiwan, ROC Web site: http://www.aec.com.tw	Tel:02-22182325 Fax:02-22182435 E-mail: aecwebmaster@advantech.com.tw	LabTool - 48 (1 * 1) LabTool - 848 (1*8)
<u>Caprillon</u> P.O. Box 461 KaoHsiung, Taiwan, ROC Web site: http://www.market.net.tw/~ cap/	Tel:07-3865061 Fax:07-3865421 E-mail: cap@market.net.tw	UNIV2000
<u>Hi-Lo</u> 4F, No. 20, 22, LN, 76, Rui Guang Rd., Nei Hu, Taipei, Taiwan, ROC. Web site: http://www.hilosystems.com.tw	Tel:02-87923301 Fax:02-87923285 E-mail: support@hilosystems.com.tw	All - 11 (1*1) Gang - 08 (1*8)
<u>Leap</u> 6th F1-4, Lane 609, Chunghsin Rd., Sec. 5, Sanchung, Taipei Hsien, Taiwan, ROC Web site: http://www.leap.com.tw	Tel:02-29991860 Fax:02-29990015 E-mail: service@leap.com.tw	ChipStation (1*1) SU - 2000 (1*8)
<u>Xeltek Electronic Co., Ltd</u> 338 Hongwu Road, Nanjing, China 210002 Web site: http://www.xeltek-cn.com	Tel:+86-25-4408399, 4543153-206 E-mail: xelclw@jlonline.com , xelgbw@jlonline.com	Superpro/2000 (1*1) Superpro/680 (1*1) Superpro/280 (1*1) Superpro/L+(1*1)