

TOSHIBA Bi-CMOS Integrated Circuit Silicon Monolithic

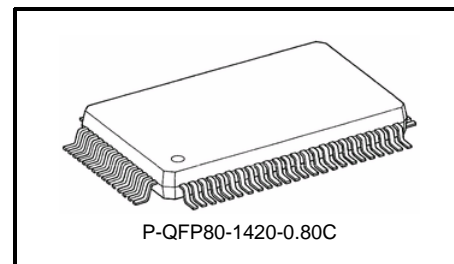
TB1311AFG

Audio SW, Video SW, Sync Separation and H/V Frequency Counter IC for TVs

The TB1311AFG includes audio and video SW blocks, prefilters for A/D converters, sync separators, and an H/V format detector for TV signals.

The TB1311AFG contributes to a reduction in the proportion of the PCB occupied by LCR filters and to the simplification of designs on analog interfaces.

The TB1311AFG has an I²CBUS interface through which various functions can be controlled.



Weight: 1.6 g (typ.)

Features

Audio SW block

- Audio (L/R) inputs
- Audio (L/R) output: 3 channels

Audio block

- Attenuator

Video SW block

- CVBS inputs
- Y/C inputs
- Component video inputs (co-use as RGB inputs)
- SCART inputs
- Output: 2 channels
- Monitor output

Video block

- Gain switching: -3 dB / 0 dB / +3 dB
- Bandwidth filter: prefilter for ADC; 4.5 to 46 MHz variable

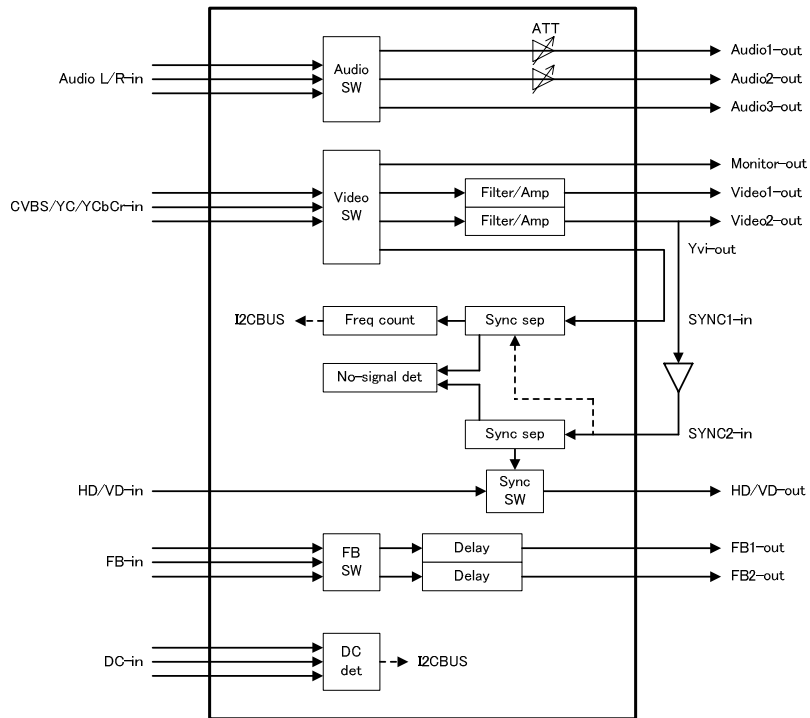
Sync separation block

- Supports 525/30p/60i/60p, 625/50i/50p, 750/50p/60p, 1125/24p/24sf/25p/30p/50i/60i/50p/60p, 1250/50i, VGA @60, SVGA@60, XGA@60, SXGA@60, UXGA@60
- HD/VD input: 1 channel; positive and negative input acceptable
- HD/VD output: positive and negative output selectable
- Masking pseudo-sync for the copyguard signal

Others

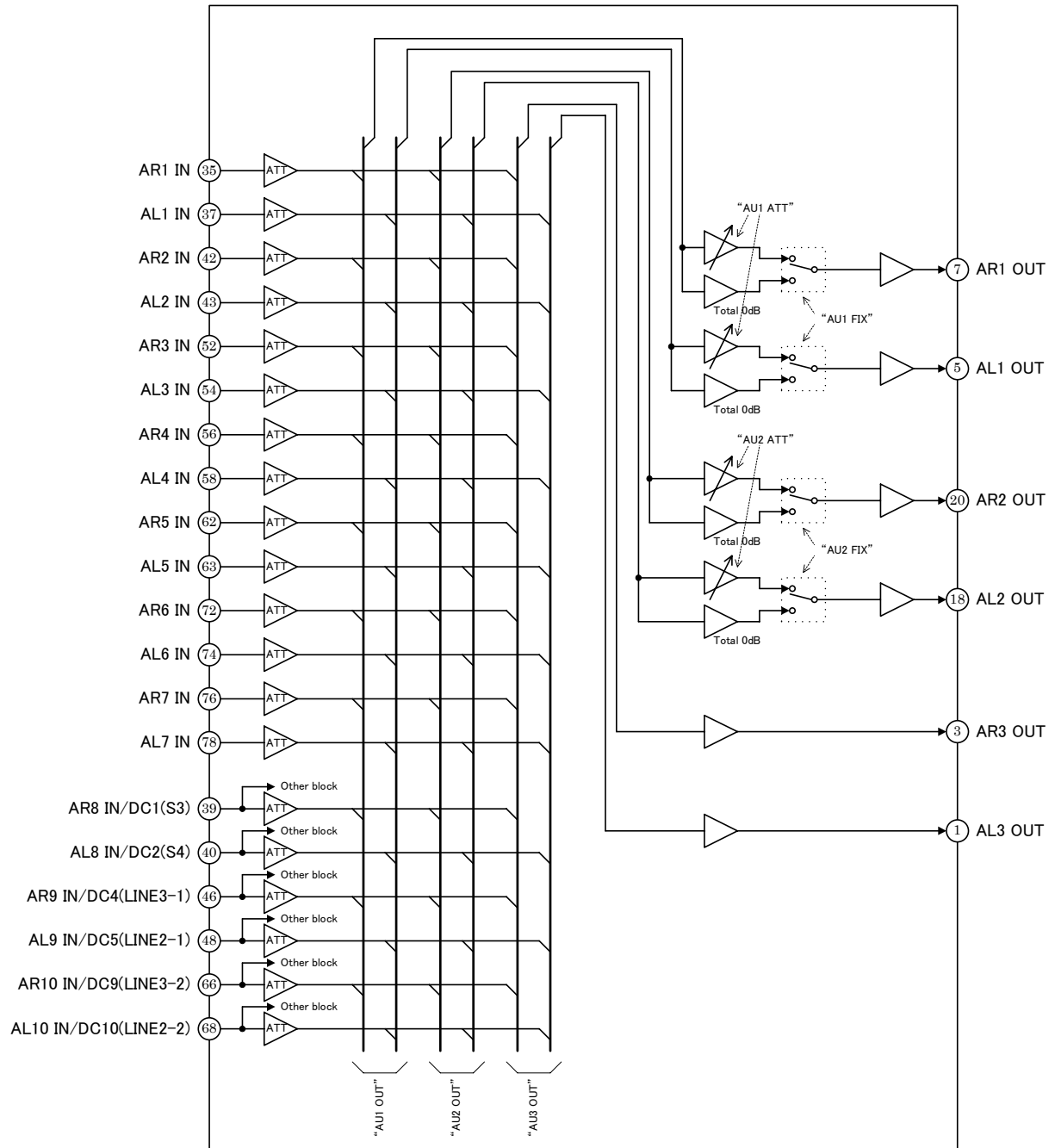
- Line detector for Japanese D-pin
- S2, S1, insertion detection for S-pin
- Horizontal and vertical frequency counter
- Format detection circuit to input signal
- No-input detection
- Automatic sync process switching mode
- Programmable number of audio/video inputs

Block Diagram 1 (Simplified Overview)



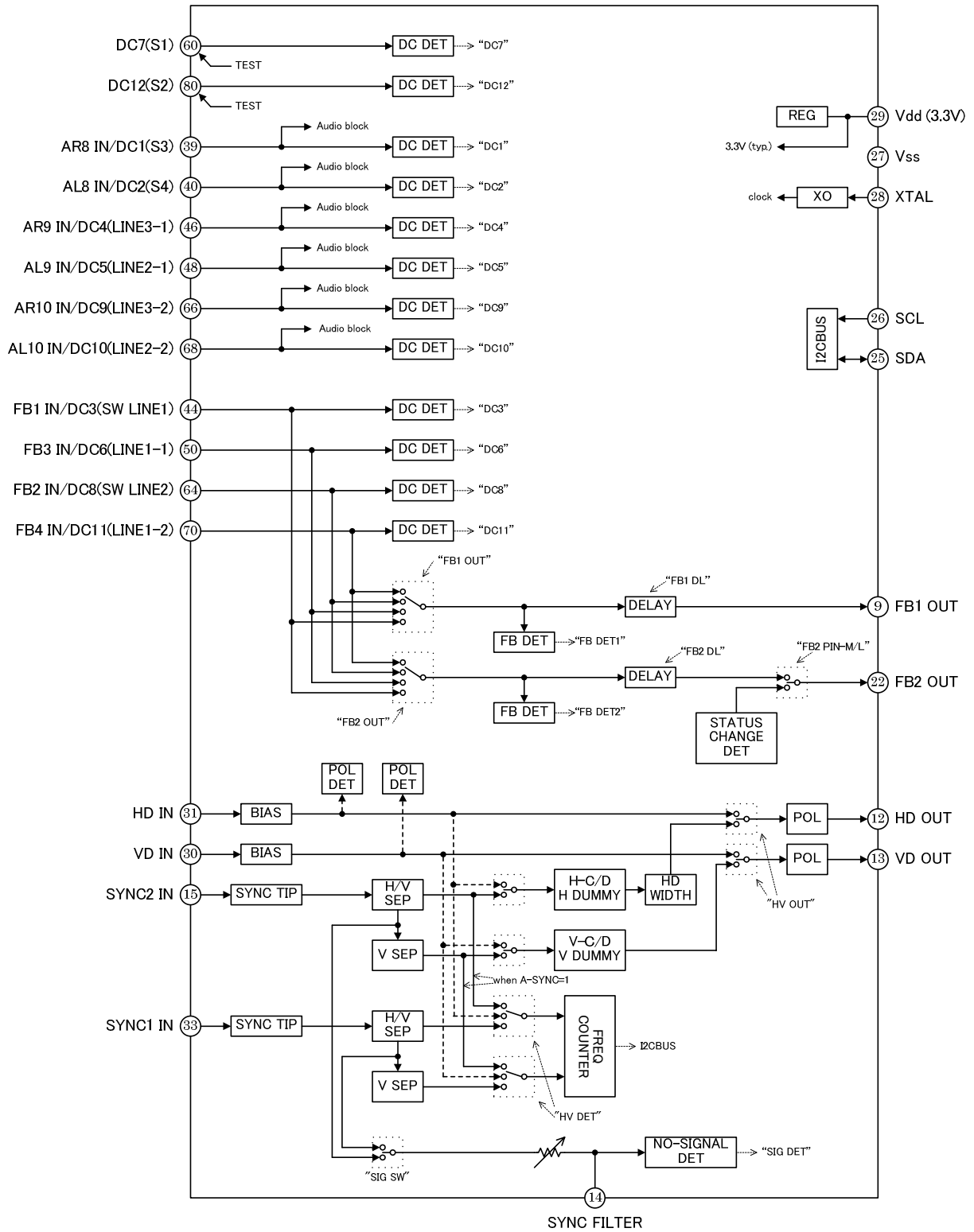
This IC does not support weak signals, ghost signals or other nonstandard signals.
Some functional blocks, circuits, or constants may be omitted or simplified in the block diagram for explanatory purposes.

Block Diagram 3 (Audio Block)



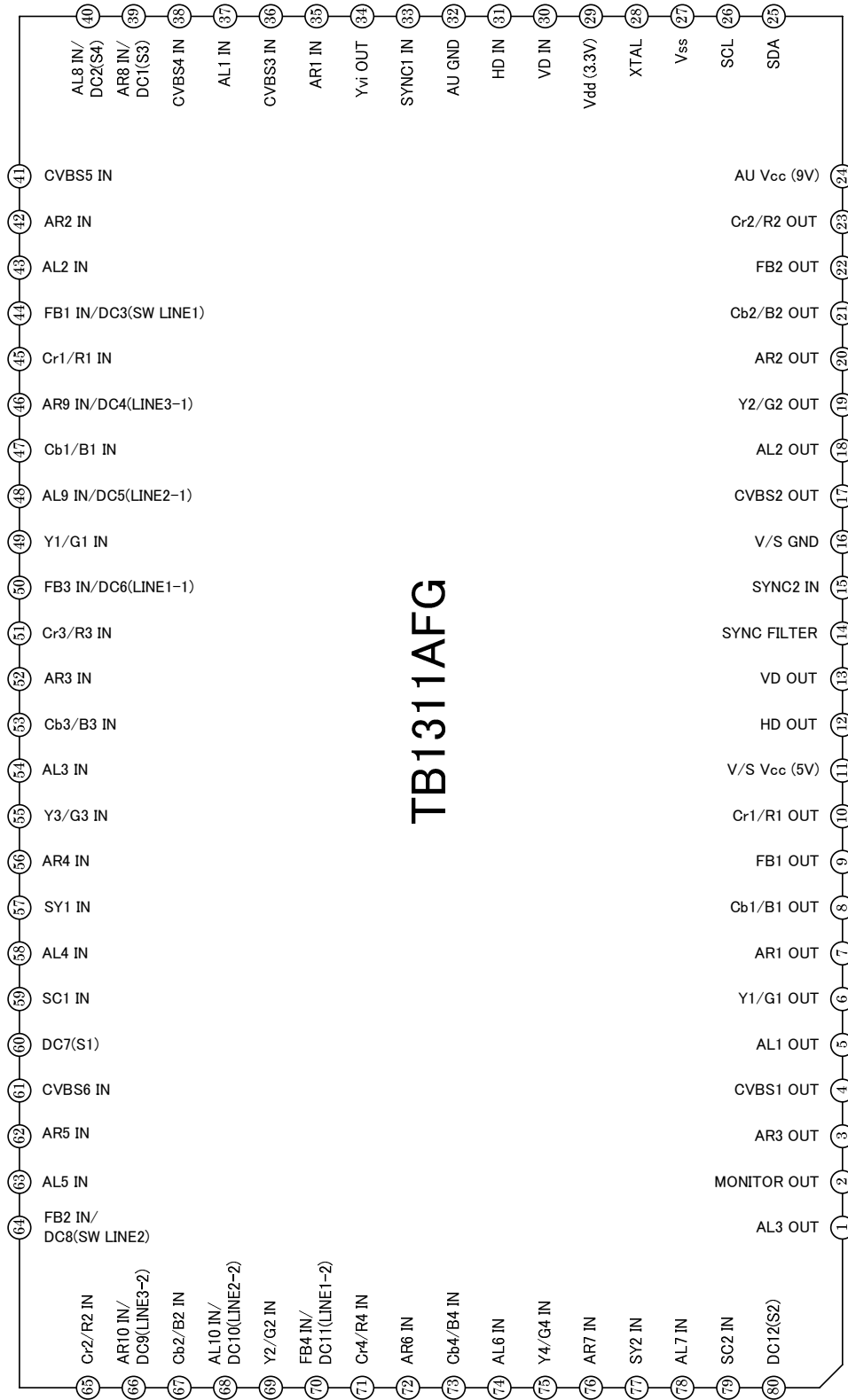
Some functional blocks, circuits, or constants may be omitted or simplified in the block diagram for explanatory purposes.

Block Diagram 4 (Other Blocks)



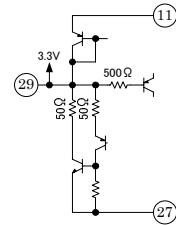
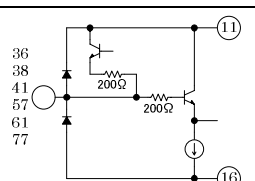
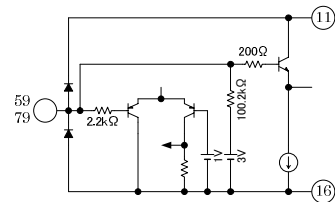
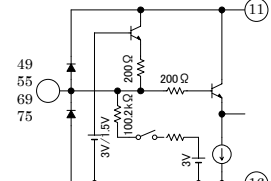
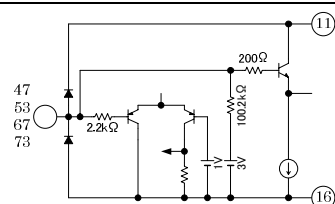
This IC does not support weak signals, ghost signals or other nonstandard signals.
 Some functional blocks, circuits, or constants may be omitted or simplified in the block diagram for explanatory purposes.

Pin Assignment



Pin Functions

The equivalent circuit diagrams may be simplified or some parts of them may be omitted for explanatory purposes.

Pin No.	Pin Name	Function	Interface Circuit	Input Signal/Output Signal
29	V _{dd} (3.3 V)	V _{CC} pin for the logical circuits. Supply power through a resistor from pin 11 as in the Application Circuit. This pin voltage is clipped to 3.3 V (typ.) by the internal regulator.		3.3 V (typ.)
27	V _{ss}	GND pin for the logical circuits.	—	—
11	V/S V _{CC} (5 V)	V _{CC} pin for the sync and video circuits. Connect 5.0 V (typ.)	—	5.0 V (typ.)
16	V/S GND	GND pin for the sync and video circuits.	—	—
24	AU V _{CC} (9 V)	V _{CC} pin for the audio circuits. Connect 9.0 V (typ.)	—	9.0 V (typ.)
32	AU GND	GND pin for the audio circuits.	—	—
36 48 41 61 57 77	CVBS3 IN CVBS4 IN CVBS5 IN CVBS6 IN SY1 IN SY2 IN	CVBS or Y input pin. Input the CVBS or Y signal in NTSC, PAL or SECAM via a clamp capacitor.		Sync tip level: 2.3 V (typ.) Y/CVBS signal amplitude: 1.0 Vp-p (with sync)
59 79	SC1 IN SC2 IN	Chroma signal input pin. Input C signal via a capacitor. The voltage of this pin is detected and the status is returned to the I ² C BUS Read functions, S4 or S8. It is used for detecting whether the S-pin is connected or not.		2.9 V bias (typ.) Burst signal amplitude: 0.3 Vp-p
49 69 55 75	Y1/G1 IN Y2/G2 IN Y3/G3 IN Y4/G4 IN	Y, G or CVBS input pin. Input the signal via a clamp capacitor. The clamp system is selectable by CLAMP1, 2, 3 or 4 registers.		Sync tip level: 2.3 V (typ.) Bias level: 2.9 V (typ.) Y/G/CVBS signal amplitude: 1.0 Vp-p (with sync)
47 67 53 73	Cb1/B1 IN Cb2/B2 IN Cb3/B3 IN Cb4/B4 IN	Cb, B or C input pin. Input the signal via a capacitor.		2.9 V bias (typ.) Cb/B signal amplitude: 0.7 Vp-p (without sync) Burst signal amplitude: 0.3 Vp-p

Pin No.	Pin Name	Function	Interface Circuit	Input Signal/Output Signal
45 65	Cr1/R1 IN Cr2/R2 IN	Cr, R or C input pin. Input the signal via a capacitor.		2.9 V bias (typ.) Cr/R signal amplitude: 0.7 Vp-p (without sync) Burst signal amplitude: 0.3 Vp-p
51 71	Cr3/R3 IN Cr4/R4 IN	Cr, R or CVBS input pin. Input the signal via a capacitor. The clamp system is changed according to CbCr PIN3 or 4 registers.		Sync tip level: 2.3 V (typ.) Bias level: 2.9 V (typ.) Cr/R signal amplitude: 0.7 Vp-p (without sync) CVBS signal amplitude: 1.0 Vp-p (with sync)
35 37 42 43 52 54 56 58 62 63 72 74 76 78	AR1 IN AL1 IN AR2 IN AL2 IN AR3 IN AL3 IN AR4 IN AL4 IN AR5 IN AL5 IN AR6 IN AL6 IN AR7 IN AL7 IN	Audio input pin. Input the signal via a resistor and a capacitor. When the resistor value is 5.6 kΩ, the internal gain becomes 0 dB (typ.).		Bias level: 4.4 V (typ.) Audio input: 2.8 Vp-p (100%)
39 40 46 48 66 68	AR8 IN/DC1 AL8 IN/DC2 AR9 IN/DC4 AL9 IN/DC5 AR10 IN/DC9 AL10 IN/DC10	Audio or DC voltage input pin. The input type is changed by AU8 PIN, AU9 PIN or AU10 PIN. In the case of use as audio input, input the signal via a resistor and a capacitor. When the resistor value is 5.6 kΩ, the internal gain becomes 0 dB (typ.). In the case of use as DC voltage input, input the signal via a resistor for protection.		Bias level: 4.4 V (typ.) Audio input: 2.8 Vp-p (100%)
44 64 50 70	FB1 IN/DC3 FB2 IN/DC8 FB3 IN/DC6 FB4 IN/DC11	FB (Fast Blanking) signal or DC voltage input pin. Connect a resistor between this pin and GND. In the case of use as DC voltage input, input the signal via a resistor for protection.		FB input: Th: 0.75 V (typ.)
60 80	DC7 DC12	DC voltage input. Input the signal via a resistor for protection purposes. This pin is also used as a test signal output pin for shipping only.		DC

Pin No.	Pin Name	Function	Interface Circuit	Input Signal/Output Signal
33 15	SYNC1 IN SYNC2 IN	Composite SYNC input pin to separate into H- and V-SYNC. Input the signal via a clamp capacitor. Remark: SYNC1 IN is not available, when A-SYNC = 1 (ON).		Sync tip level: 1.8 V (typ.)
31 30	HD IN VD IN	HD or VD input pin. Input a separated horizontal or vertical sync signal (1.0 to 2.0 Vp-p) via a resistor and a coupling capacitor. The polarity of the input signal is detected and its leading edge becomes a timing trigger.		1.45 V bias (typ.)
4 6 8 10 17 19 21 23	CVBS1 OUT Y1/G1 OUT Cb1/B1 OUT Cr1/R1 OUT CVBS2 OUT Y2/G2 OUT Cb2/B2 OUT Cr2/R2 OUT	Video signal output pin. Refer to Bus Control Functions for details of the output from each pin.		AC: -3, 0 or +3 dB (typ.)
5 7 18 20 1 3	AL1 OUT AR1 OUT AL2 OUT AR2 OUT AL3 OUT AR3 OUT	Audio signal output pin. Refer to Bus Control Functions for details of the output from each pin.		
2	MONITOR OUT	Video signal output pin for a monitor output. Refer to Bus Control Functions for details of the output from the pin.		AC: +6 dB (typ.)
34	Yvi OUT	Video signal output pin for the sync separation circuit. Refer to Bus Control Functions for details of the output from the pin.		AC: 0 dB (typ.)
12 13	HD OUT VD OUT	HD or VD output pin. The polarity of the output is selectable by HV-POL register. The trailing edge of the VD-OUT has a jitter. Use the leading edge only.		-1.2 V (typ.) 0.1 V (typ.) or -1.2 V (typ.) 0.1 V (typ.)
9 22	FB1 OUT FB2 OUT	FB output pin. Note: If necessary, a resistor can be added between the pin and GND to improve the transient of the falling edge. The value of the resistor must be 440 Ω or more. However, when the resistor is added, the leak pulse from FB edges to video signals is also increased.		-1.2 V (typ.) 0.1 V (typ.)
14	SYNC FILTER	A filter pin for sync detection. Connect a capacitor between this pin and GND.		—

Pin No.	Pin Name	Function	Interface Circuit	Input Signal/Output Signal
28	XTAL	Crystal connection pin. Connect a 3.579545 MHz crystal for NTSC demodulation to generate internal clocks.		—
25	SDA	SDA pin for I ² CBUS.		<p> Th: 2.1 V (typ.) Th: 1.3 V (typ.) H to L: 1.3 V (typ.) L to H: 2.1 V (typ.) </p>
26	SCL	SCL pin for I ² CBUS.		<p> Th: 2.1 V (typ.) Th: 1.3 V (typ.) H to L: 1.3 V (typ.) L to H: 2.1 V (typ.) </p>

BUS Control Map

Write Mode Slave Address: DE_H

SA	D7	D6	D5	D4	D3	D2	D1	D0	PRESET
00	CVBS1OUT		fc HALF1		YCbCr1OUT				00000000
01	CVBS2OUT		fc HALF2		YCbCr2OUT				00000000
02	(0)	FILPASS2	FILPASS1	YC MIX	MON OUT				00000000
03	f0 SW1	BANDWIDTH1							00000000
04	f0 SW2	BANDWIDTH2							00000000
05	CVBS2 GAIN		YCbCr2 GAIN		CVBS1 GAIN		YCbCr1 GAIN		00000000
06	CbCr PIN4	CbCr PIN3	CbCr PIN2	CbCr PIN1	CLAMP4	CLAMP3	CLAMP2	CLAMP1	00000000
07	FB2 DL	FB2 MUTE	FB2 OUT		FB1 DL	FB1 MUTE	FB1 OUT		00000000
08	AU2 OUT				AU1 OUT				00010001
09	AU1 FIX	AU1 ATT							00000000
0A	AU2 FIX	AU2 ATT							00000000
0B	AU10 PIN	AU9 PIN	AU8 PIN	(0)	AU3 OUT				00000001
0C	HV-SEP2		HV-SEP1		(0)	(0)	SYNC LPF2	SYNC LPF1	00000000
0D	A-SYNC	SIG LPF	(0)	(0)	Yvi OUT				00000000
0E	(0)	PS MASK	V-DET	HD WIDTH	HV POL	(0)	HV DET	HV OUT	00000000
0F	H DMY	V DMY	FB2 PIN-M	HV FREQ2					00000000
10	H COUNT MAX				(0)	H COUNT MIN			00000000
11	SIG DET N				SIG RESET N				00000000
12	(0)TEST1	FB2 PIN-L	SIG RESET	SIG SW	SIG DET IMPE		SIG DET LVL		00000000
13	(00000000) TEST2								00000000
14	(00000000) TEST3								00000000

Remark: SA = Sub-address.

NOTE: Set 0 (zero) on bits written as (0).

Read Mode Slave Address: DF_H

	D7	D6	D5	D4	D3	D2	D1	D0
0	POR	H FM2	V FM2	H IN	V IN	V-SYNC-W	HD-POL	VD-POL
1	H FORMAT				V FORMAT			*
2	FB DET2	FB DET1	SIG DET	HV-OUT FORMAT				
3	DC4		DC3		DC2		DC1	
4	DC8		DC7		DC6		DC5	
5	DC12		DC11		DC10		DC9	
6	S8	S7	S6	S5	S4	S3	S2	S1
7	H FREQ DET							
8	V FREQ DET							

*: Undefined

Bus Control Functions

Write Mode

Register Name	Function	Preset Value
CVBS1(2)OUT	<p>Selects the output from CVBS1(2) OUT (pin 4 (17)) for SCART connector.</p> <p>000: Mute 001: Outputs the same Y, selected by YCbCr1(2) OUT 010: CVBS3 (pin 36) 011: CVBS4 (pin 38) 100: CVBS5 (pin 41) 101: CVBS6 (pin 61) 110: Cr3 (as CVBS) (pin 51) 111: Cr4 (as CVBS) (pin 71)</p>	Mute (000)
fc HALF1(2)	<p>Switches the frequency of bandwidth limit filters for Cb/Cr</p> <p>The cutoff frequency of bandwidth limit filters for Cb/Cr is 1/2 to Y.</p> <p>0: OFF (same for 3 outputs) 1: ON (1/2 fc for Cb/Cr)</p>	OFF (0)
YCbCr1(2)OUT	<p>Selects the output from Y/Cb/Cr OUT1(2) (pins 6, 8, 10 (19, 21, 23)).</p> <p>(Y OUT, Cb OUT, Cr OUT) = 0000: Mute (mute, mute, mute) 0001: SY1 (pin 57), SC1 (pin 59), mute 0010: SY2 (pin 77), SC2 (pin 79), mute 0011: CVBS3 (pin 36), mute, mute 0100: CVBS4 (pin 38), mute, mute 0101: CVBS5 (pin 41), mute (Cr1; pin 45, when CbCr PIN1 = 1), mute 0110: CVBS6 (pin 61), mute (Cr2; pin 65, when CbCr PIN2 = 1), mute 0111: Y1 (pin 49), Cb1 (pin 47), Cr1; pin 45 (mute, when CbCr PIN1 = 1) 1000: Y2 (pin 69), Cb2 (pin 67), Cr2; pin 65 (mute, when CbCr PIN2 = 1) 1001: Y3 (pin 55), Cb3 (pin 53), Cr3; pin 51 (mute, when CbCr PIN3 = 1) 1010: Y4 (pin 75), Cb4 (pin 73), Cr4; pin 71 (mute, when CbCr PIN4 = 1) 1011: Cr3 (as CVBS) (pin 51), mute, mute 1100: Cr4 (as CVBS) (pin 71), mute, mute 1101 to 1111: Not available</p> <p>Refer also to Function Descriptions.</p>	Mute (0000)
FILPASS1(2)	<p>Switches the bandwidth limit filter 1 (2).</p> <p>0: OFF (filters active) 1: ON (bypass)</p>	OFF (0)
YC MIX	<p>Mixes Y with C for MONITOR OUT (pin 2).</p> <p>0: OFF (for CVBS) 1: MIX (Y+C)</p>	OFF (0)
MON OUT	<p>Selects the output from MONITOR OUT (pin 2).</p> <p>When YC MIX = 1, a mixed signal is output.</p> <p>0000: Mute 0001: SY1 (pin 57) (+SC1 (pin 59)) 0010: SY2 (pin 77) (+SC2 (pin 79)) 0011: CVBS3 (pin 36) 0100: CVBS4 (pin 38) 0101: CVBS5 (pin 41) (+Cr1 (pin 45), when CbCr PIN1 = 1) 0110: CVBS6 (pin 61) (+Cr2 (pin 65), when CbCr PIN2 = 1) 0111: Y1 (pin 49) (+Cb1 (pin 47)) 1000: Y2 (pin 69) (+Cb2 (pin 67)) 1001: Y3 (pin 55) (+Cb3 (pin 53)) 1010: Y4 (pin 75) (+Cb4 (pin 73)) 1011: Cr3 (CVBS) (pin 51)) 1100: Cr4 (CVBS) (pin 71)) 1101 to 1111: Not available</p> <p>Refer also to Function Descriptions.</p>	Mute (0000)
f0 SW1(2)	<p>Switches the f0 of the bandwidth limit filter for YCbCr(RGB)</p> <p>0: LOW 1: HIGH</p> <p>Note: This function is not valid for the filter for CVBS. For the CVBS filter, this data is fixed to 0: LOW.</p>	LOW (0)
BANDWIDTH1(2)	<p>Switches the f0 of the bandwidth limit filter for YCbCr(RGB) and CVBS</p> <p>0000000: MIN (low) 1111111: MAX (high)</p> <p>Note: While HD, VD or FB-out is output, according as the f0 is set to lower, the crosstalk from HD, VD, FB or SYNC-in to video-outs becomes bigger.</p>	MIN (0000000)

Register Name	Function	Preset Value
CVBS1(2) GAIN	Switches output gain. Gain of CVBS1(2)-OUT output (pin 4 (17)) is controlled. 00: 0 dB 01: -3 dB 10: +3 dB 11: Not available	0 dB (00)
YCbCr1(2) GAIN	Switches output gain. Gain of YCbCr1(2)-OUT outputs (pins 6,8,10 (19, 21, 23)) are controlled. 00: 0 dB 01: -3 dB 10: +3 dB 11: Not available Remark: GAIN = 01 (-3 dB) is recommended for the 1125/50p/60p format since this offers superior frequency characteristics to those of other modes.	0 dB (00)
CbCr PIN1	Changes CbCr1-IN pins function. 0: Component Cb/Cr input (pin 49: Y/G, pin 47: Cb/B, pin 45: Cr/R, pin 41: CVBS) 1: Separated C input (pin 49: Y, pin 47: C, pin 41: Y, pin 45: C)	Cb/Cr input (0)
CbCr PIN2	Changes CbCr2-IN pins function. 0: Component Cb/Cr input (pin 69: Y/G, pin 67: Cb/B, pin 65: Cr/R, pin 61: CVBS) 1: Separated C input (pin 69: Y, pin 67: C, pin 61: Y, pin 65: C)	Cb/Cr input (0)
CbCr PIN3	Changes CbCr3-IN pins function. 0: Component Cb/Cr input (pin 55: Y/G, pin 53: Cb/B, pin 51: Cr/R) 1: Separated C input (pin 55: Y, pin 53: C, pin 51: CVBS)	Cb/Cr input (0)
CbCr PIN4	Changes CbCr4-IN pins function. 0: Component Cb/Cr input (pin 75: Y/G, pin 73: Cb/B, pin 71: Cr/R) 1: Separated C input (pin 75: Y, pin 73: C, pin 71: CVBS)	Cb/Cr input (0)
CLAMP1(2,3,4)	Switches Y1 (2, 3, 4) clamping mode. The clamping mode for pin 49 (69, 55, 75) is set. 0: SYNC TIP CLAMP (for Y/G with sync) 1: BIAS (for RGB without sync)	SYNC TIP (0)
FB1(2) DL	Turns on the delay to FB1 (2)-OUT (pin 9 (22)). 0: OFF 1: ON (+30 ns)	OFF (0)
FB1(2) MUTE	Mutes FB1 (2)-OUT (pin 9 (22)). 0: OFF 1: MUTE	OFF (0)
FB1(2) OUT	Switches the output from FB1(2)-OUT (pin 9 (22)). 00: FB1 (pin 44) 01: FB2 (pin 64) 10: FB3 (pin 50) 11: FB4 (pin 70)	FB1 (00)
AU1(2,3) OUT	Switches audio outputs from AL/AR1 (2,3)-OUT (pins 5/7 (18/20, 1/3)). 0000: MUTE 0001: AL/AR1 (pins 37/35) 0010: AL/AR2 (pins 43/42) 0011: AL/AR3 (pins 54/52) 0100: AL/AR4 (pins 58/56) 0101: AL/AR5 (pins 63/62) 0110: AL/AR6 (pins 74/72) 0111: AL/AR7 (pins 78/76) 1000: AL/AR8 (pins 40/39) 1001: AL/AR9 (pins 48/46) 1010: AL/AR10 (pins 68/66) 1011 to 1111: Not available	AL/AR1 (0001)

Register Name	Function	Preset Value
AU1(2) FIX	Sets audio volume to AL/AR1 (2)-OUT (pin 5/7 (18/20)) fixed. 0: Fixed gain (0 dB) 1: OFF (Attenuated by AU1(2) ATT) Note: The DC offset on audio outputs occurs when this function is turned on or off. While audio outputs are valid, switching of this function is not available. Remark: The gain is defined where the series-connected resistor is 5.6 kΩ.	Fixed (0)
AU1(2) ATT	Attenuates audio volume to AL/AR1(2)-OUT (pins 5/7 (18/20)). 0000000: MIN 1111111: MAX	MIN (0000000)
AU8 PIN	Changes the AL/AR8-IN pin function. 0: DC input for S-pin (pin 39: DC1(S3), pin 40: DC2(S4)) 1: Audio-IN8 (pin 39: AR8, pin 40: AL8)	DC (0)
AU9 PIN	Changes the AL/AR9-IN pin function. 0: DC input for D-pin (pin 46: DC4(LINE2), pin 48: DC5(LINE1)) 1: Audio-IN9 (pin 46: AR9, pin 48: AL9)	DC (0)
AU10 PIN	Changes the AL/AR10-IN pin function. 0: DC input for D-pin (pin 66: DC9(LINE2), pin 68: DC10(LINE1)) 1: Audio-IN10 (pin 66: AR10, pin 68: AL10)	DC (0)
HV-SEP1(2)	Switches the separation level. The H/V sync separation level to SYNC1(2)-IN (pin 33 (15)) is switched. 00: LOW 11: HIGH Remark: The separation level is changed according to a ratio of negative sync width per 1H period.	LOW (00)
SYNC LPF1(2)	Turns on the LPF for the sync-tip clamp. SYNC LPF1(2) for SYNC1(2)-IN pin changes the speed of the sync-tip clamp response. Turn this function on for no-input detection. 0: OFF 1: ON	OFF (0)
A-SYNC	Automatic sync processing mode. Sync processing mode is changed in accordance with the results obtained by the internal format detection circuits. Format detection is performed for SYNC2-IN or HD/VD-IN signal selected by HV DET. The result of detection is returned to H FORMAT, V FORMAT, H FM2 and V FM2. HV FREQ setting is invalid when this mode is active. 0: OFF (Manual switching mode by HV FREQ2 setting) 1: ON Remark: SYNC1-IN (pin 33) is not available when A-SYNC = 1 (ON). Format detection and H/V separation are then executed for SYNC2-IN (pin 15).	OFF (0)
SIG LPF	Turns on the LPF for the sync input pin (pin 33; SYNC1-IN). When no-input detection for weak strength signals is required, turn this function on to reduce noise on the input. Turn this function off for detections such as H FORMAT, V FORMAT, H FREQ DET and V FREQ DET. 0: OFF 1: ON	OFF (0)
Yvi OUT	Switches the output from Yvi-OUT (pin 34). 0000: MUTE 0001: SY1 (pin 57) 0010: SY2 (pin 77) 0011: CVBS3 (pin 36) 0100: CVBS4 (pin 38) 0101: CVBS5 (pin 41) 0110: CVBS6 (pin 61) 0111: Y1 (pin 49) 1000: Y2 (pin 69) 1001: Y3 (pin 55) 1010: Y4 (pin 75) 1011: Cr3 (as CVBS) (pin 51) 1100: Cr4 (as CVBS) (pin 71) 1101 to 1111: Not available	MUTE (0000)
PS MASK	Switches the mask mode for pseudo-sync. 0: ON (Normal) 1: OFF (for "Sync on G") (1) OFF mode is used for "Sync on G" input.	ON (0)

Register Name	Function	Preset Value															
V-DET	Switches the V format detection mode. 0: 50/60Hz only 1: Full detection	50/60 only (0)															
HD WIDTH	Switches the width of HD-OUT (pin 12) from SYNC2-IN (pin 15). 0: WIDE 1: NARROW Remark: HD WIDTH = 1 (NARROW) is recommended for the 1125/50p/60p format owing to crosstalk from HD-OUT to video signals so that spike noises on video signals will occur.	WIDE (0)															
HV-POL	Switches the polarity of HD/VD output. The polarity of HD/VD OUT (pin 12, 13) is set. 0: Positive 1: Negative	Positive (0)															
HV DET	Selects the input for format detection. When A-SYNC = 0 (Manual Mode) 0: SYNC1-IN (pin 33) 1: HD/VD-IN (pins 31/30) When A-SYNC = 1 (Automatic Mode) This function is invalid. The input is selected by HV OUT.	SYNC (0)															
HV OUT	Switches the outputs from HD/VD-OUT (pin 12/13). 0: SYNC2-IN (pin 15) 1: HD/VD-IN (pins 31/30)	SYNC2-IN (0)															
H DMY	Outputs the dummy HD at no input. The frequency of the dummy HD output depends on the HV FREQ2 setting (when A-SYNC = OFF) or HV-OUT FORMAT (when A-SYNC = ON). No-input detection is based on H IN result. 0: OFF 1: ON (Dummy HD output at no input) Note: The HD output does not synchronize with input sync, when A-SYNC = OFF and when a sync is input.	OFF (0)															
V DMY	Outputs the dummy VD at no input. The frequency of the dummy VD output depends on HV FREQ2 setting (when A-SYNC = OFF) or HV-OUT FORMAT (when A-SYNC = ON). No-input detection is based on the V IN result. 0: OFF 1: ON (Dummy VD output at no input) Note: The VD output does not synchronize with input sync, when A-SYNC = OFF and when a sync is input.	OFF (0)															
FB2 PIN-M, L	Changes FB2-OUT pin (pin 22) function. In FB2 PIN-M/L = ON, the level of pin 22 becomes HIGH when the Read registers below change. The level of pin 22 becomes LOW after the I ² CBUS reading. The pin voltage is used for a sign to detect input signal changes for a microprocessor. For FB2 PIN-M/L = ON, set A-SYNC = 1 (ON) and FB2 MUTE = 1 (MUTE). <table border="1" style="margin-left: auto; margin-right: auto;"> <thead> <tr> <th>FB2 PIN-M</th> <th>FB2 PIN-L</th> <th>Mode</th> </tr> </thead> <tbody> <tr> <td>0</td> <td>0</td> <td>OFF (FB2-OUT)</td> </tr> <tr> <td>0</td> <td>1</td> <td>Mode 1 for no-input detection</td> </tr> <tr> <td>1</td> <td>0</td> <td>Mode 2 for format detection</td> </tr> <tr> <td>1</td> <td>1</td> <td>Not available</td> </tr> </tbody> </table> Referential Read registers for FB2 PIN-M/L = Mode 1: FB-DET1, SIG-DET Referential Read registers for FB2 PIN-M/L = Mode 2: H-FM2, V-FM2, H-IN, V-IN, HV-OUT FORMAT	FB2 PIN-M	FB2 PIN-L	Mode	0	0	OFF (FB2-OUT)	0	1	Mode 1 for no-input detection	1	0	Mode 2 for format detection	1	1	Not available	OFF (00)
FB2 PIN-M	FB2 PIN-L	Mode															
0	0	OFF (FB2-OUT)															
0	1	Mode 1 for no-input detection															
1	0	Mode 2 for format detection															
1	1	Not available															

Register Name	Function	Preset Value
HV FREQ2	<p>Input format setting.</p> <p>Set the horizontal and vertical mode according to the format that is input. When A-SYNC = ON mode, this setting is invalid.</p> <p>00000: 15.625 kHz, 50 Hz (625i) 00001: 15.75 kHz, 60 Hz (525i) 00010: 31.25 kHz, 50 Hz (625p) 00011: 31.5 kHz, 60 Hz (525p, VGA @60 Hz) 00100: 28.125 kHz, 50 Hz (1125/50i) 00101: 33.75 kHz, 60 Hz (1125/60i) 00110: 37.5 kHz, 50 Hz (750/50p) 00111: 45 kHz, 60 Hz (750/60p, XGA @60 Hz) 01000: 31.25 kHz, 50 Hz (1250i) 01001: 37.9 kHz, 60 Hz (SVGA @60 Hz) 01010: 64 kHz, 60 Hz (1125/60p, SXGA @60 Hz) 01011: 75 kHz, 60 Hz (UXGA @60 Hz) 01100: 56.25 kHz, 50 Hz (1125/50p) 01101 to 01111: Not available 10000: 15.734 kHz, 30 Hz (525/30p) 10001: 27 kHz, 24 Hz (1125/24p) 10010: 28.125 kHz, 25 Hz (1125/25p) 10011: 33.75 kHz, 30 Hz (1125/30p) 10100: 27 kHz, 48 Hz (1125/24sf) 10101 to 11111: Not available</p>	15.625 kHz, 50 Hz (00000)
H COUNT MAX	<p>Selects the H-sync count number for the higher threshold for the no-input detection.</p> <p>0000: 32 counts 1111: 62 counts (2 counts / step)</p>	32 counts (0000)
H COUNT MIN	<p>Selects the H-sync count number for the lower threshold for the no-input detection.</p> <p>000: 16 counts 111: 30 counts (2 counts / step)</p>	16 counts (000)
SIG DET N	<p>Selects the number of signal detections for the input existence threshold of the no-input detection.</p> <p>0000: 1 count 0001: 2 counts to 1111: 30 counts (2 counts / step)</p>	1 count (0000)
SIG RESET N	<p>Selects the number of signal detection for input non-existence threshold of the no-input detection.</p> <p>0000: 1 count 0001: 2 counts to 1111: 30 counts (2 counts / step)</p>	1 count (0000)
SIG RESET	<p>Resets the counter for no-input detection.</p> <p>When 1 is sent, the counter for no-input detection is cleared at that time.</p> <p>0: Normal 1: Reset</p>	Normal (0)
SIG SW	<p>Selects the input to the counter for no-input detection.</p> <p>0: SYNC2-IN (pin 15) 1: SYNC1-IN (pin 33)</p>	SYNC2-IN (0)
SIG DET IMPE	<p>Changes the internal impedance for no-input detection.</p> <p>The time constant of LPF for no-input detection is changed by this function and the capacitor value of SYNC FILTER (pin 14).</p> <p>00: 20 kΩ 01: 15 kΩ 10: 10 kΩ 11: 6 kΩ</p>	20 kΩ (00)
SIG DET LVL	<p>Changes the threshold for no-input detection.</p> <p>00: 0.55 V 01: 0.80 V 10: 1.05 V 11: 1.30 V</p>	0.55 V (00)
TEST1,2,3	Test modes for shipping test. Set all zero.	all 0

Register Name	Function																												
HV-OUT FORMAT	<p>Format detection result. H and V dummy output frequencies depend on this result.</p> <table border="0"> <tr> <td>00000: 15.625 kHz, 50 Hz (625i)</td> <td>00001: 15.75 kHz, 60 Hz (525i)</td> </tr> <tr> <td>00010: 31.25 kHz, 50 Hz (625p)</td> <td>00011: 31.5 kHz, 60 Hz (525p, VGA @60 Hz)</td> </tr> <tr> <td>00100: 28.125 kHz, 50 Hz (1125/50i)</td> <td>00101: 33.75 kHz, 60 Hz (1125/60i)</td> </tr> <tr> <td>00110: 37.5 kHz, 50 Hz (750/50p)</td> <td>00111: 45 kHz, 60 Hz (750/60p, XGA @60 Hz)</td> </tr> <tr> <td>01000: 31.25 kHz, 50 Hz (1250i)</td> <td>01001: 37.9 kHz, 60 Hz (SVGA @60 Hz)</td> </tr> <tr> <td>01010: 64 kHz, 60 Hz (1125/60p, SXGA @60 Hz)</td> <td>01011: 75 kHz, 60 Hz (UXGA @60 Hz)</td> </tr> <tr> <td>01100: 56.25 kHz, 50 Hz (1125/50p)</td> <td></td> </tr> <tr> <td>01101 to 01111: Not available</td> <td></td> </tr> <tr> <td>10000: 15.734 kHz, 30 Hz (525/30p)</td> <td>10001: 27 kHz, 24 Hz (1125/24p)</td> </tr> <tr> <td>10010: 28.125 kHz, 25 Hz (1125/25p)</td> <td>10011: 33.75 kHz, 30 Hz (1125/30p)</td> </tr> <tr> <td>10100: 27 kHz, 48 Hz (1125/24sf)</td> <td></td> </tr> <tr> <td>10101 to 11111: Not available</td> <td></td> </tr> </table>	00000: 15.625 kHz, 50 Hz (625i)	00001: 15.75 kHz, 60 Hz (525i)	00010: 31.25 kHz, 50 Hz (625p)	00011: 31.5 kHz, 60 Hz (525p, VGA @60 Hz)	00100: 28.125 kHz, 50 Hz (1125/50i)	00101: 33.75 kHz, 60 Hz (1125/60i)	00110: 37.5 kHz, 50 Hz (750/50p)	00111: 45 kHz, 60 Hz (750/60p, XGA @60 Hz)	01000: 31.25 kHz, 50 Hz (1250i)	01001: 37.9 kHz, 60 Hz (SVGA @60 Hz)	01010: 64 kHz, 60 Hz (1125/60p, SXGA @60 Hz)	01011: 75 kHz, 60 Hz (UXGA @60 Hz)	01100: 56.25 kHz, 50 Hz (1125/50p)		01101 to 01111: Not available		10000: 15.734 kHz, 30 Hz (525/30p)	10001: 27 kHz, 24 Hz (1125/24p)	10010: 28.125 kHz, 25 Hz (1125/25p)	10011: 33.75 kHz, 30 Hz (1125/30p)	10100: 27 kHz, 48 Hz (1125/24sf)		10101 to 11111: Not available					
00000: 15.625 kHz, 50 Hz (625i)	00001: 15.75 kHz, 60 Hz (525i)																												
00010: 31.25 kHz, 50 Hz (625p)	00011: 31.5 kHz, 60 Hz (525p, VGA @60 Hz)																												
00100: 28.125 kHz, 50 Hz (1125/50i)	00101: 33.75 kHz, 60 Hz (1125/60i)																												
00110: 37.5 kHz, 50 Hz (750/50p)	00111: 45 kHz, 60 Hz (750/60p, XGA @60 Hz)																												
01000: 31.25 kHz, 50 Hz (1250i)	01001: 37.9 kHz, 60 Hz (SVGA @60 Hz)																												
01010: 64 kHz, 60 Hz (1125/60p, SXGA @60 Hz)	01011: 75 kHz, 60 Hz (UXGA @60 Hz)																												
01100: 56.25 kHz, 50 Hz (1125/50p)																													
01101 to 01111: Not available																													
10000: 15.734 kHz, 30 Hz (525/30p)	10001: 27 kHz, 24 Hz (1125/24p)																												
10010: 28.125 kHz, 25 Hz (1125/25p)	10011: 33.75 kHz, 30 Hz (1125/30p)																												
10100: 27 kHz, 48 Hz (1125/24sf)																													
10101 to 11111: Not available																													
DC1 to 12	<p>DC voltage detection for D-pin or S-pin</p> <table border="0"> <tr> <td>00: Low (0 V)</td> <td>01: Mid (2.2 V)</td> <td>10: Undefined</td> <td>11: High (5 V)</td> </tr> </table> <p>Remark 1: See below for the relationship between this function number and the pin number. DC1 - pin 39, DC2 - pin 40, DC3 - pin 44, DC4 - pin 46, DC5 - pin 48, DC6 - pin 50, DC7 - pin 60, DC8 - pin 64, DC9 - pin 66, DC10 - pin 68, DC11 - pin 70, DC12 - pin 80</p> <p>Remark 2: D-pin</p> <table border="0"> <tr> <td>SW LINE:</td> <td>00: Connected</td> <td>01: ---</td> <td>10: ---</td> <td>11: Not connected</td> </tr> <tr> <td>LINE1:</td> <td>00: 525 (480)</td> <td>01: 750 (720)</td> <td>10: ---</td> <td>11: 1125 (1080)</td> </tr> <tr> <td>LINE2:</td> <td>00: Interlace</td> <td>01: ---</td> <td>10: ---</td> <td>11: Progressive</td> </tr> <tr> <td>LINE3:</td> <td>00: 4:3</td> <td>01: 4:3 letter box</td> <td>10: ---</td> <td>11: 16:9</td> </tr> </table> <p>Remark 3; about S-pin</p> <table border="0"> <tr> <td>00: 4:3</td> <td>01: 4:3 letter box</td> <td>10: ---</td> <td>11: 16:9</td> </tr> </table>	00: Low (0 V)	01: Mid (2.2 V)	10: Undefined	11: High (5 V)	SW LINE:	00: Connected	01: ---	10: ---	11: Not connected	LINE1:	00: 525 (480)	01: 750 (720)	10: ---	11: 1125 (1080)	LINE2:	00: Interlace	01: ---	10: ---	11: Progressive	LINE3:	00: 4:3	01: 4:3 letter box	10: ---	11: 16:9	00: 4:3	01: 4:3 letter box	10: ---	11: 16:9
00: Low (0 V)	01: Mid (2.2 V)	10: Undefined	11: High (5 V)																										
SW LINE:	00: Connected	01: ---	10: ---	11: Not connected																									
LINE1:	00: 525 (480)	01: 750 (720)	10: ---	11: 1125 (1080)																									
LINE2:	00: Interlace	01: ---	10: ---	11: Progressive																									
LINE3:	00: 4:3	01: 4:3 letter box	10: ---	11: 16:9																									
00: 4:3	01: 4:3 letter box	10: ---	11: 16:9																										
S1 to 8	<p>Detects whether S-pin is connected or not.</p> <table border="0"> <tr> <td>0: Low (not connected)</td> <td>1: Open (connected)</td> </tr> </table> <p>Remark 1: An external circuit is necessary to use this function. Refer to the Function description.</p> <p>Remark 2: See below for the relationship between this function number and the pin number. S1 - pin 45, S2 - pin 47, S3 - pin 53, S4 - pin 59, S5 - pin 65, S6 - pin 67, S7 - pin 73, S8 - pin 79</p>	0: Low (not connected)	1: Open (connected)																										
0: Low (not connected)	1: Open (connected)																												
V FREQ DET	<p>Counts the vertical frequency of an input selected by SYNC SW.</p> <p>When V-DET = 0:</p> <table border="0"> <tr> <td>00000000: over 3.5 kHz</td> <td>01001111: 44 Hz or less</td> </tr> <tr> <td>01010000 to 11111111: No input</td> <td></td> </tr> </table> <p>When V-DET = 1:</p> <table border="0"> <tr> <td>00000000: over 3.5 kHz</td> <td>10011001: 23 Hz or less</td> </tr> <tr> <td>10011010 to 11111111: No input</td> <td></td> </tr> </table> <p>How to calculate a vertical frequency (Y):</p> <p>Convert data read from V FREQ DET into a decimal value and call it X.</p> $\text{Vertical frequency (Y)} = 1 \div (X \times 2.8607 \times 10^{-4}) \text{ [Hz]}$ <p>The error range of X is -1 to +1.</p>	00000000: over 3.5 kHz	01001111: 44 Hz or less	01010000 to 11111111: No input		00000000: over 3.5 kHz	10011001: 23 Hz or less	10011010 to 11111111: No input																					
00000000: over 3.5 kHz	01001111: 44 Hz or less																												
01010000 to 11111111: No input																													
00000000: over 3.5 kHz	10011001: 23 Hz or less																												
10011010 to 11111111: No input																													
H FREQ DET	<p>Counts the horizontal frequency of an input selected by SYNC SW.</p> <p>When for SYNC-IN;</p> <table border="0"> <tr> <td>00000001: No input</td> <td>11111111: over 85 kHz</td> </tr> </table> <p>When for HD/VD-IN;</p> <table border="0"> <tr> <td>00000000: No input</td> <td>11111111: over 85 kHz</td> </tr> </table> <p>How to calculate a horizontal frequency (Y):</p> <p>Convert data read from H FREQ DET into a decimal value and call it X.</p> $\text{Horizontal frequency (Y)} = 1 \div (0.003 \div X) \text{ [Hz]}$ <p>The error range of X is -1 to +1.</p>	00000001: No input	11111111: over 85 kHz	00000000: No input	11111111: over 85 kHz																								
00000001: No input	11111111: over 85 kHz																												
00000000: No input	11111111: over 85 kHz																												

Note 1: In determining the decision algorithms (detection range, detection times, and so on) for H/V frequency detection, it is necessary to take into account both previously mentioned cautions and other factors such as signal conditions and I²CBUS data transmission in the course of prototype TV set evaluation.

Note 2: The READ BUS flags indicate that a certain signal is detected at a given moment. However, the detection result will not be very reliable if only one flag is checked. To obtain accuracy, it is recommended that a judgment should be made on the basis of confirming several times and verifying agreement among the majority of flags read in a sequence and/or at the same time.

Function Descriptions

Output selections

Outputs are switched by I2CBUS registers, as in the following tables.

YCbCr1 OUT

Register Settings					Outputs			Available Input		
YCbCr1 OUT	CbCr PIN4	CbCr PIN3	CbCr PIN2	CbCr PIN1	Y1/G1 OUT (Pin 6)	Cb1/B1 OUT (Pin 8)	Cr1/R1 OUT (Pin 10)	CVBS	YC	YCbCr RGB
0000	*	*	*	*	Mute	Mute	Mute			
0001	*	*	*	*	SY1 (pin 57)	SC1 (pin 59)	Mute	y	y	
0010	*	*	*	*	SY2 (pin 77)	SC2 (pin 79)	Mute	y	y	
0011	*	*	*	*	CVBS3 (pin 36)	Mute	Mute	y		
0100	*	*	*	*	CVBS4 (pin 38)	Mute	Mute	y		
0101	*	*	*	0	CVBS5 (pin 41)	Mute	Mute	y		
	*	*	*	1	CVBS5 (pin 41)	Cr1 (pin 45)	Mute	y	y	
0110	*	*	0	*	CVBS6 (pin 61)	Mute	Mute	y		
	*	*	1	*	CVBS6 (pin 61)	Cr2 (pin 65)	Mute	y	y	
0111	*	*	*	0	Y1 (pin 49)	Cb1 (pin 47)	Cr1 (pin 45)	y	y	y
	*	*	*	1	Y1 (pin 49)	Cb1 (pin 47)	Mute	y	y	
1000	*	*	0	*	Y2 (pin 69)	Cb2 (pin 67)	Cr2 (pin 65)	y	y	y
	*	*	1	*	Y2 (pin 69)	Cb2 (pin 67)	Mute	y	y	
1001	*	0	*	*	Y3 (pin 55)	Cb3 (pin 53)	Cr3 (pin 51)	y	y	y
	*	1	*	*	Y3 (pin 55)	Cb3 (pin 53)	Mute	y	y	
1010	0	*	*	*	Y4 (pin 75)	Cb4 (pin 73)	Cr4 (pin 71)	y	y	y
	1	*	*	*	Y4 (pin 75)	Cb4 (pin 73)	Mute	y	y	
1011	*	*	*	*	Cr3 (pin 51)	Mute	Mute	y		
1100	*	*	*	*	Cr4 (pin 71)	Mute	Mute	y		
1101 to 1111	*	*	*	*	Not available					

*: Don't care

YCbCr2 OUT

Register Settings					Outputs			Available Input		
YCbCr1 OUT	CbCr PIN4	CbCr PIN3	CbCr PIN2	CbCr PIN1	Y2/G2 OUT (Pin 19)	Cb2/B2 OUT (Pin 21)	Cr2/R2 OUT (Pin 23)	CVBS	YC	YCbCr RGB
0000	*	*	*	*	Mute	Mute	Mute			
0001	*	*	*	*	SY1 (pin 57)	SC1 (pin 59)	Mute	y	y	
0010	*	*	*	*	SY2 (pin 77)	SC2 (pin 79)	Mute	y	y	
0011	*	*	*	*	CVBS3 (pin 36)	Mute	Mute	y		
0100	*	*	*	*	CVBS4 (pin 38)	Mute	Mute	y		
0101	*	*	*	0	CVBS5 (pin 41)	Mute	Mute	y		
	*	*	*	1	CVBS5 (pin 41)	Cr1 (pin 45)	Mute	y	y	
0110	*	*	0	*	CVBS6 (pin 61)	Mute	Mute	y		
	*	*	1	*	CVBS6 (pin 61)	Cr2 (pin 65)	Mute	y	y	
0111	*	*	*	0	Y1 (pin 49)	Cb1 (pin 47)	Cr1 (pin 45)	y	y	y
	*	*	*	1	Y1 (pin 49)	Cb1 (pin 47)	Mute	y	y	
1000	*	*	0	*	Y2 (pin 69)	Cb2 (pin 67)	Cr2 (pin 65)	y	y	y
	*	*	1	*	Y2 (pin 69)	Cb2 (pin 67)	Mute	y	y	
1001	*	0	*	*	Y3 (pin 55)	Cb3 (pin 53)	Cr3 (pin 51)	y	y	y
	*	1	*	*	Y3 (pin 55)	Cb3 (pin 53)	Mute	y	y	
1010	0	*	*	*	Y4 (pin 75)	Cb4 (pin 73)	Cr4 (pin 71)	y	y	y
	1	*	*	*	Y4 (pin 75)	Cb4 (pin 73)	Mute	y	y	
1011	*	*	*	*	Cr3 (pin 51)	Mute	Mute	y		
1100	*	*	*	*	Cr4 (pin 71)	Mute	Mute	y		
1101 to 1111	*	*	*	*	Not available					

*: Don't care

MONITOR OUT

Register Settings						Outputs	Available Input	
MON OUT	YC MIX	CbCr PIN4	CbCr PIN3	CbCr PIN2	CbCr PIN1	MONITOR OUT (Pin 2)	CVBS	YC
0000	*	*	*	*	*	Mute		
0001	0	*	*	*	*	SY1 (pin 57)	y	
	1					SY1 (pin 57) + SC1 (pin 59)		y
0010	0	*	*	*	*	SY2 (pin 77)	y	
	1					SY2 (pin 77) + SC2 (pin 79)		y
0011	*	*	*	*	*	CVBS3 (pin 36)	y	
0100	*	*	*	*	*	CVBS4 (pin 38)	y	
0101	*	*	*	*	0	CVBS5 (pin 41)	y	
	0	*	*	*	1	CVBS5 (pin 41)	y	
	1					CVBS5 (pin 41) + Cr1 (pin 45)		y
0110	*	*	*	0	*	CVBS6 (pin 61)	y	
	0	*	*	1	*	CVBS6 (pin 61)	y	
	1					CVBS6 (pin 61) + Cr2 (pin 65)		y
0111	0	*	*	*	*	Y1 (pin 49)	y	
	1					Y1 (pin 49) + Cb1 (pin 47)		y
1000	0	*	*	*	*	Y2 (pin 69)	y	
	1					Y2 (pin 69) + Cb2 (pin 67)		y
1001	0	*	*	*	*	Y3 (pin 55)	y	
	1					Y3 (pin 55) + Cb3 (pin 53)		y
1010	0	*	*	*	*	Y4 (pin 75)	y	
	1					Y4 (pin 75) + Cb4 (pin 73)		y
1011	*	*	*	*	*	Cr3 (pin 51)	y	
1100	*	*	*	*	*	Cr4 (pin 71)	y	
1101 to 1111	*	*	*	*	*	Not available		

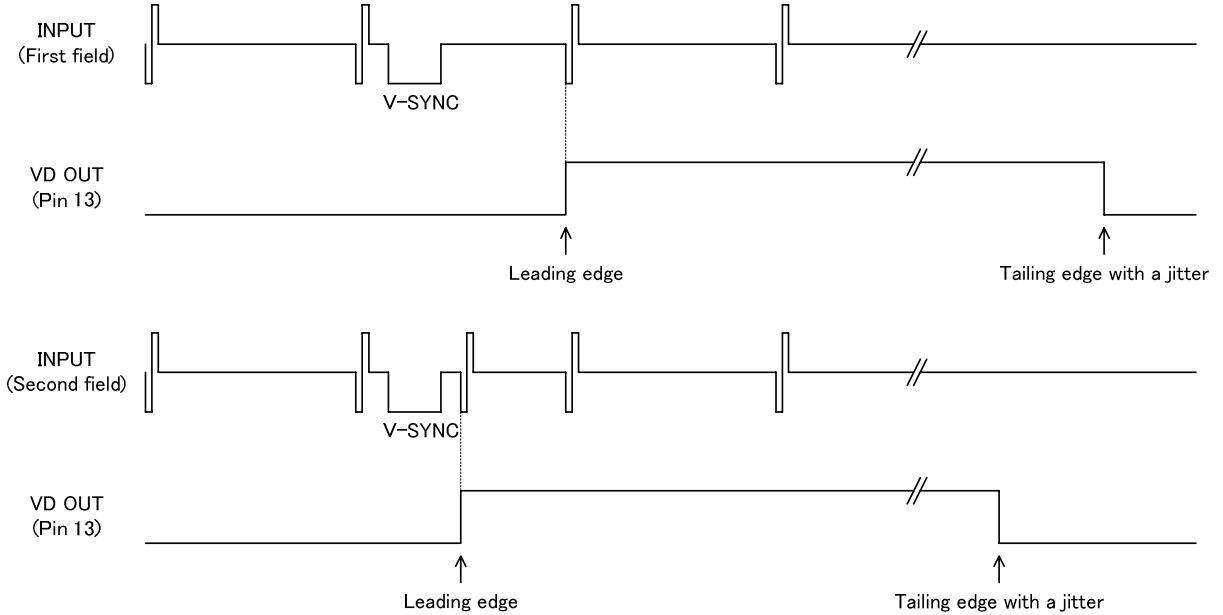
*: Don't care

Vertical sync separation for 1250i/50

When HV FREQ2 = 01000, the vertical sync separation for the 1250i/50 is accomplished through the use of a special circuit. The phase of the VD-out (pin 13) depends on the H-SYNC timing shown in the figure below. There is no VD-out when there is no H-SYNC input.

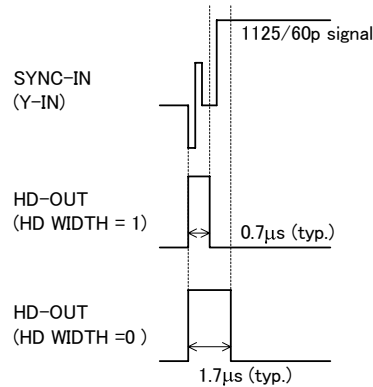
In the manual sync processing mode (A-SYNC = OFF), use READ BUS functions, V-SYNC-W and H, V FORMAT (or H, V FREQ DET) to detect the 1250i/50.

Note: The trailing edge of the VD-OUT has a jitter. Use the leading edge only.



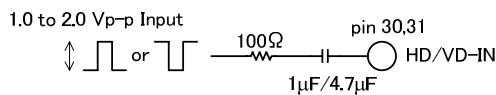
HD width

HD-OUT width is selectable by HD WIDTH as below. A setting in which HD WIDTH = 1 (NARROW) is recommended for the 1125/50p/60p format owing to crosstalk from HD-OUT to video signals causing spike noise on video signals.

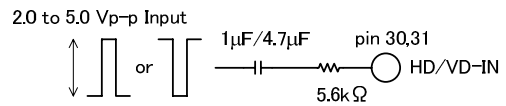


HD/VD input amplitude

When a 5.6 kΩ is added before the input pin like the following figure, 5.0 Vp-p pulse input is allowed. However, the acceptable minimum amplitude then becomes 2.0 Vp-p.



Normal application



For large-input application

Automatic sync processing mode (A-SYNC)

Counted horizontal and vertical frequency data to input signal are returned to READ BUS functions, H, V FREQ DET. Also, the detected format is returned to H, V FORMAT and H, V FM2 when the H/V frequencies are in internal defined ranges. Input detection results for H, V-SYNC or HD,VD, which indicate whether or not input exists, are returned to H,V IN. HV-OUT FORMAT indicates the active mode.

In automatic sync processing mode (when A-SYNC = ON), this device operates as indicated in the following table according to these READ data. Then, the SYNC1-IN pin is not used for format detection.

Input Condition	HV-OUT FORMAT, H, V FORMAT Status	H, V FM2 Status	H, V IN Status	HD, VD Outputs
Standard format	The format as input	Known	Signal	The separated sync as input
Nonstandard format	The status indicates not the current condition but the last detected format.	Unknown	Signal	The separated sync as input
No input	The status indicates not the current condition but the last detected format.	Known: The status indicates not the current condition but the last detected format.	No input	Dummy HD and VD, of which the frequency depends on the HV-OUT FORMAT status

Note 3: Dummy HD and VD may become unstable while the mode is changing from one format to another.

Manual sync processing mode (A-SYNC = OFF)

In this mode, the SYNC1-IN pin is used only for detecting the input format and the SYNC2-IN pin is used only for separating H and V syncs for HD and VD outputs. It is possible to detect some input formats by means of time-sharing while separating syncs to another input.

The following is an example of how to detect H/V frequency when A-SYNC = OFF.

1. Input the signal from Yvi-OUT pin into the SYNC1-IN pin.
2. Read data such as H, V FREQ DET and H, V FORMAT.
3. Detect the H/V frequency by microprocessor or similar means, depending on the data obtained.
4. Input the detected signal into the SYNC2-IN pin and set HV FREQ2 and so on for the SYNC2-IN pin to the detected mode.
5. Continue to monitor the obtained data for the SYNC1-IN pin, such as H, V FREQ DET and H, V FORMAT. When any alterations are recognized, re-set HV FREQ2 and so on for the SYNC2-IN pin.

Decision algorithms (for detection range, detection times and so on) for H/V frequency detection should be determined taking into account the above-mentioned errors in measuring H/V frequencies and other factors such as signal conditions and I²CBUS data transmission in the course of prototype TV set evaluation.

By the way, in A-SYNC = OFF and H, V DMY = ON mode, dummy HD and VD are output according to the HV FREQ2 setting when there is no input.

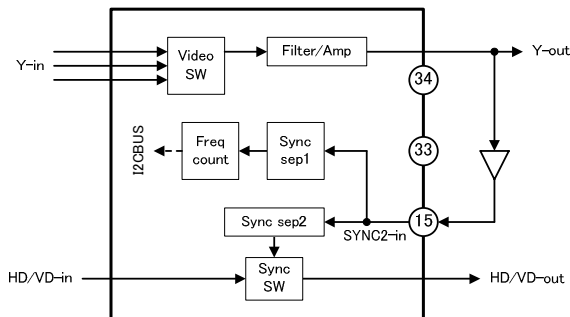


Fig. Signal route when A-SYNC = ON

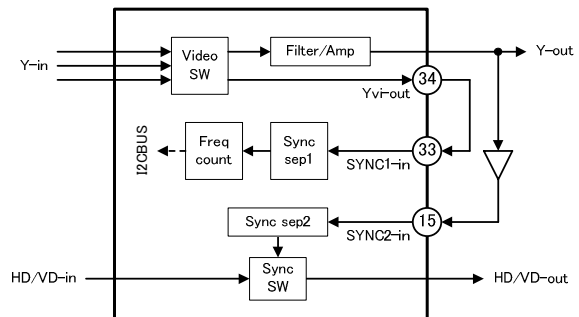


Fig. Signal route when A-SYNC = OFF

Sync separation level

The sync separation level is changed according to the ratio of H-sync width to one line. Typical sync separation levels for each format are as follows.

HV-SEP data	00	01	10	11
625/50i	18	26	31	43
525/60i	18	26	31	43
625/50p	19	27	32	44
525/60p	19	27	32	44
1125/50i	27	34	40	52
1125/60i	25	33	38	50
750/50p	25	32	38	50
750/60p	24	31	36	49
1250/50i	22	30	36	48
1125/50p	28	36	41	52
1125/60p	27	34	39	52
525/30p	18	26	31	43
1125/24p	27	34	40	52
1125/25p	27	34	40	52
1125/30p	26	32	38	50
1125/24sf	28	34	40	52
VGA/60	20	26	32	43
SVGA/60	20	27	33	44
XGA/60	20	27	33	44
SXGA/60	22	29	34	45

Expressed as percentages, where 286 mVp-p sync applies to 525/60i and 300 mVp-p sync applies otherwise

The format detection and sync separation performances are changed due to the separation level set by HV-SEP setting and the connected coupling capacitor value. The careful evaluations are required to set the separation level under consideration of expected input conditions such as a suppressed sync input, an input with V-sag, and APL (Average Picture Level) fluctuations.

For "Sync on G" signal, HD-OUT is not output during the V-sync period because there is no H-sync during the V-sync period.

(Note) Cross-talk from HD, VD, FB or SYNC-in to Video-outs

The edges of HD/VD/FB-out leaks into video-outs when HD-out, VD-out and/or FB-out is output. If the video-out is not synchronized with the HD/VD/FB-out, (e.g. desynchronized videos between main- and sub-picture like PinP or Double window), the edges look as desynchronized noise. The crosstalk level will be improved when the BANDWIDTH frequency will be set to higher.

Please use this device under consideration of the cross-talk.

No-input detection

This function detects whether there is input or not. It is useful for detecting no-input of 525i or 625i even if which is a weakened signal strength.

(1) 0 (no-input) → 1 (detected)

When $N_{min} \leq N1 \leq N_{max}$, and when $N2 \geq N_{det}$, SIG DET returns 1.

Where, N_{min} : the number set by H COUNT MIN

N_{max} : the number set by H COUNT MAX

N_{det} : the number set by SIG DET N

$N1$: the number of the H-sync count in the counter during an internal window (approx. 2 ms)

$N2$: the number of conditions that " $N_{min} \leq N1 \leq N_{max}$ " is detected

(2) 1 (detected) → 0 (no-input)

When $N1 \leq N_{min}$, $N1 \geq N_{max}$, and when $N3 \geq N_{reset}$, SIG DET returns 0.

Where, N_{reset} : the number set by SIG RESET N

$N3$: the number of conditions that " $N1 \leq N_{min}$ and $N1 \geq N_{max}$ " is detected

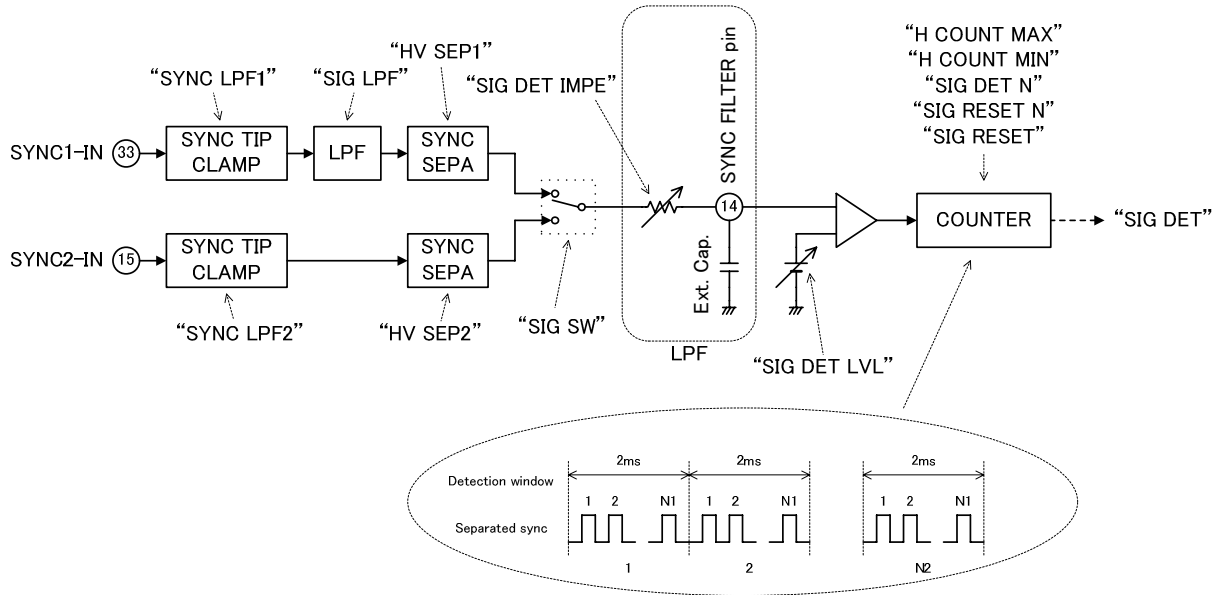


Fig. Block diagram for no-input detection

Decide how to use no-input detection after making a thorough evaluation using a prototype TV set.

S-pin insertion detection

C-IN pins detect the DC level to determine whether the S-pin is inserted or not.

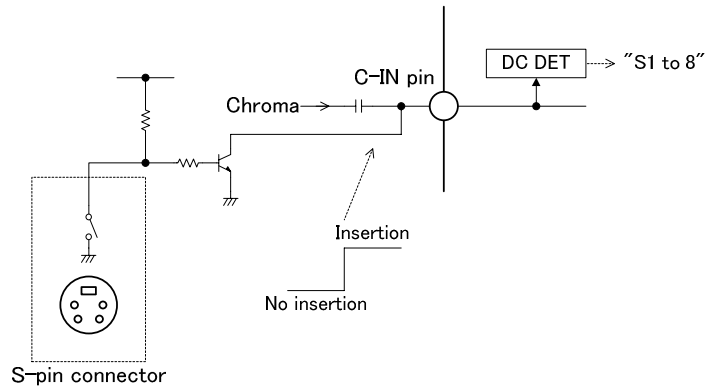
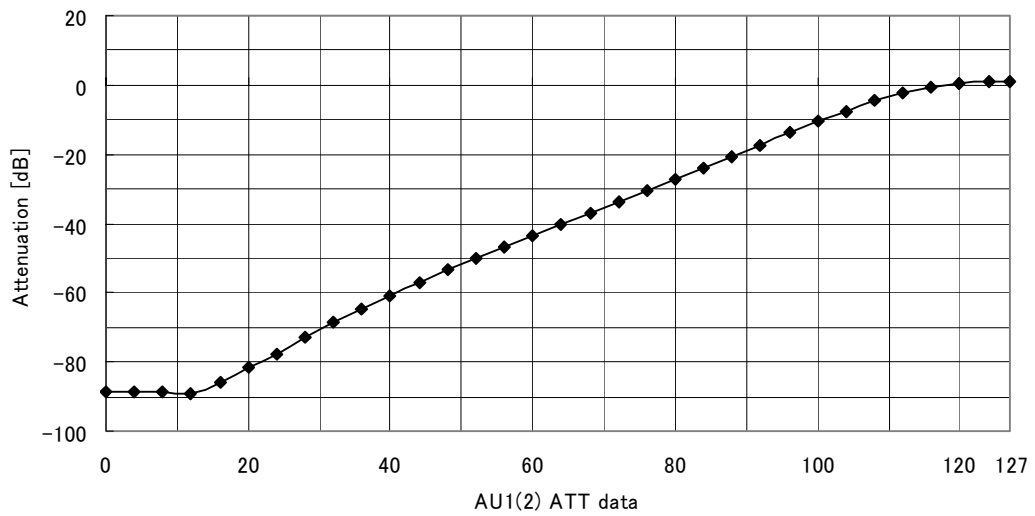


Fig. Application of S-pin insertion detection

Audio gain

Audio gain is controlled by AU1(2) ATT. The following figure shows the typical characteristic, where the series-connected resistor is 5.6 kΩ.



Typical characteristics

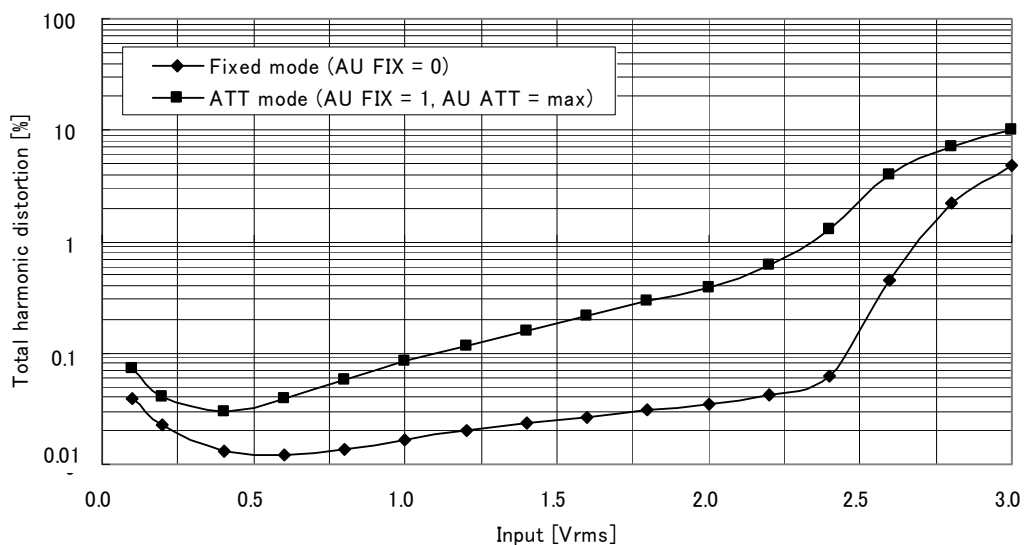


Fig. Audio total harmonic distortion (input resistance: 5.6 kΩ)

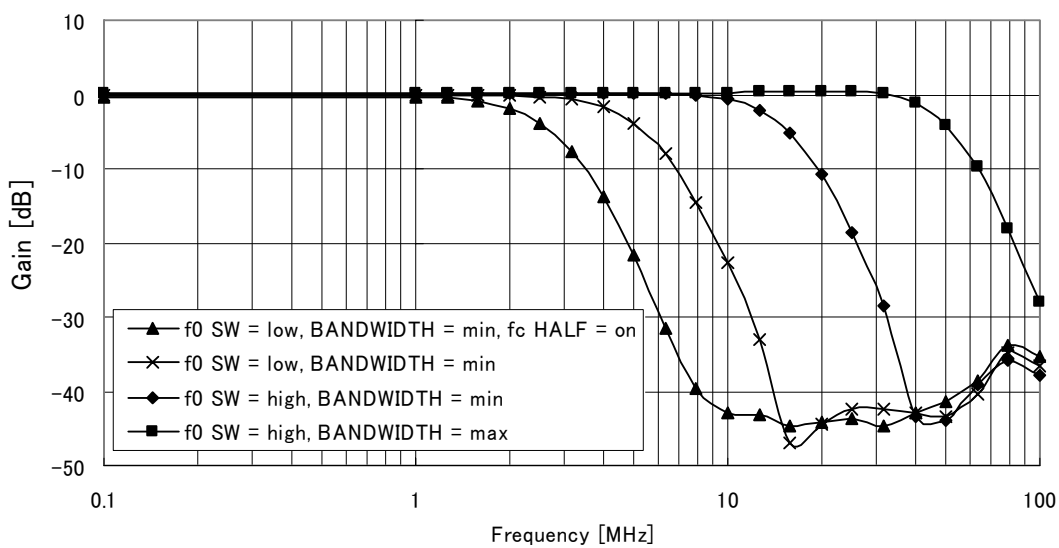


Fig. Typical prefilter frequency characteristics

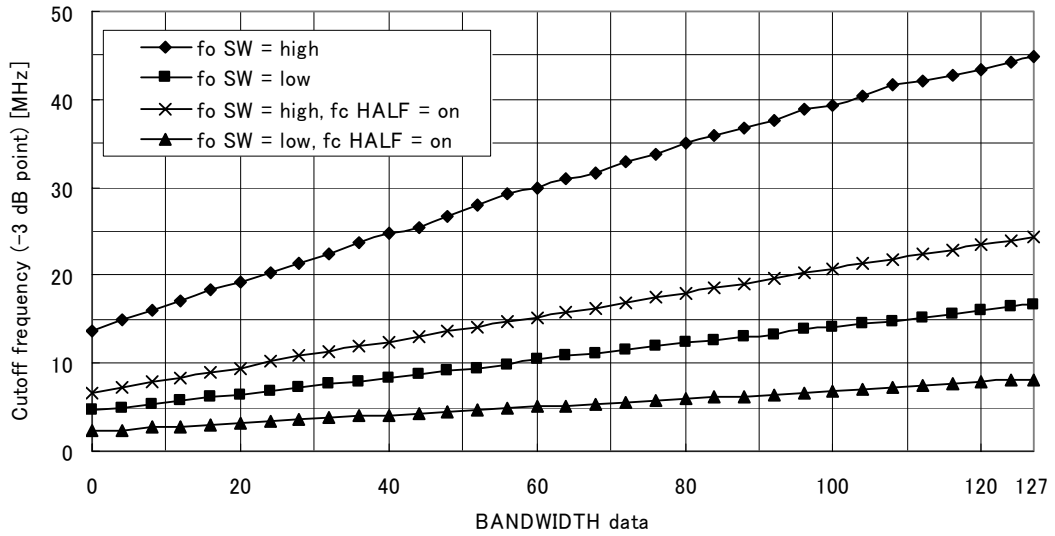


Fig. Typical cutoff frequency (-3 dB point) characteristics of prefilter

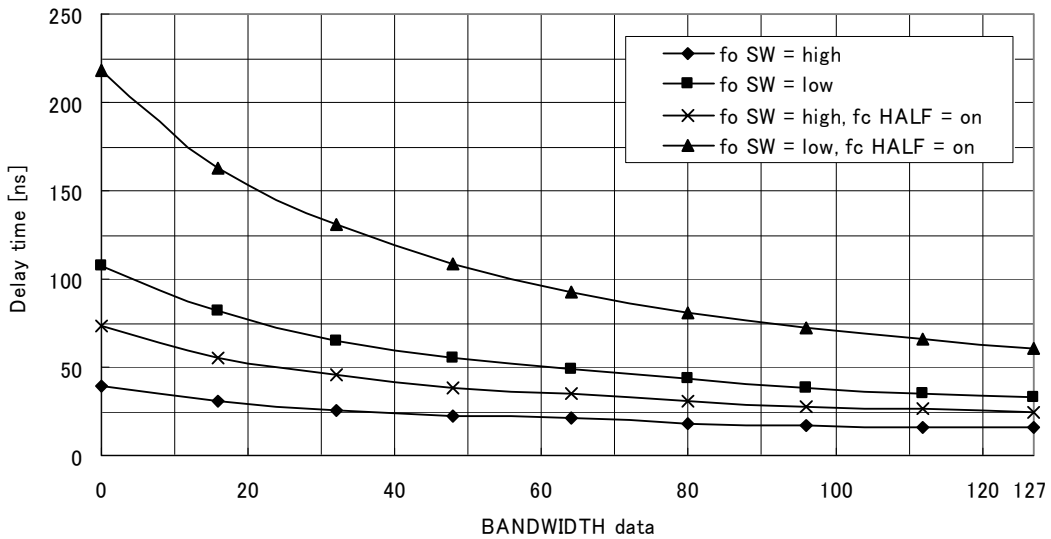


Fig. Typical delay-time (group delay @ 1 MHz) characteristics of prefilter

Recommended crystal oscillator

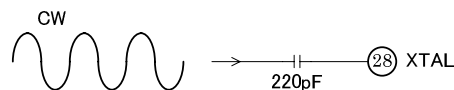
When a connected crystal oscillator is used for the XO, the following oscillation specifications are required.
 Oscillation frequency (fundamental): 3.579545 MHz (for NTSC decoding)
 Frequency tolerance: +/- 50 ppm

External CW input into crystal oscillator pin

Instead of connecting a crystal oscillator, it is possible to input an external CW (Continual Wave) into pin 28 through a capacitor as below.

The required specs on the CW are as follows.

Input frequency (fundamental): 3.579545 MHz +/- 50 ppm
 Input amplitude: 1.0Vp-p +/- 0.5Vp-p



How to deal with unused pins

Unused pins should be dealt with as below. Pins not mentioned below should be connected properly.

Pin No.	Pin Name	Procedure	Pin No.	Pin Name	Procedure
1	AL3 OUT	Procedure 3	46	AR9 IN/DC4	Procedure 1
2	MONITOR OUT	Procedure 3	47	Cb1/B1 IN	Procedure 1
3	AR3 OUT	Procedure 3	48	AL9 IN/DC5	Procedure 1
4	CVBS1 OUT	Procedure 3	49	Y1/G1 IN	Procedure 1
5	AL1 OUT	Procedure 3	50	FB3 IN/DC6	Procedure 2
6	Y1/G1 OUT	Procedure 3	51	Cr3/R3 IN	Procedure 1
7	AR1 OUT	Procedure 3	52	AR3 IN	Procedure 1
8	Cb1/B1 OUT	Procedure 3	53	Cb3/B3-IN	Procedure 1
9	FB1 OUT	Procedure 3	54	AL3 IN	Procedure 1
10	Cr1/R1 OUT	Procedure 3	55	Y3/G3 IN	Procedure 1
12	HD OUT	Procedure 3	56	AR4 IN	Procedure 1
13	VD OUT	Procedure 3	57	SY1 IN	Procedure 1
14	SYNC FILTER	Procedure 3	58	AL4 IN	Procedure 1
15	SYNC2 IN	Procedure 1	59	SC1 IN	Procedure 1
17	CVBS2 OUT	Procedure 3	60	DC7	Procedure 2
18	AL2 OUT	Procedure 3	61	CVBS6 IN	Procedure 1
19	Y2/G2 OUT	Procedure 3	62	AR5 IN	Procedure 1
20	AR2 OUT	Procedure 3	63	AL5 IN	Procedure 1
21	Cb2/B2 OUT	Procedure 3	64	FB2 IN/DC8	Procedure 2
22	FB2 OUT	Procedure 3	65	Cr2/R2 IN	Procedure 1
23	Cr2/R2 OUT	Procedure 3	66	AR10 IN/DC9	Procedure 1
30	VD IN	Procedure 4	67	Cb2/B2 IN	Procedure 1
31	HD IN	Procedure 4	68	AL10 IN/DC10	Procedure 1
33	SYNC1 IN	Procedure 1	69	Y2/G2 IN	Procedure 1
34	Yvi OUT	Procedure 3	70	FB4 IN/DC11	Procedure 2
35	AR1 IN	Procedure 1	71	Cr4/R4 IN	Procedure 1
36	CVBS3 IN	Procedure 1	72	AR6 IN	Procedure 1
37	AL1 IN	Procedure 1	73	Cb4/B4-IN	Procedure 1
38	CVBS4 IN	Procedure 1	74	AL6 IN	Procedure 1
39	AR8 IN/DC1	Procedure 1	75	Y4/G4 IN	Procedure 1
40	AL8 IN/DC2	Procedure 1	76	AR7 IN	Procedure 1
41	CVBS5 IN	Procedure 1	77	SY2 IN	Procedure 1
42	AR2 IN	Procedure 1	78	AL7 IN	Procedure 1
43	AL2 IN	Procedure 1	79	SC2 IN	Procedure 1
44	FB1 IN/DC3	Procedure 2	80	DC12	Procedure 2
45	Cr1/R1 IN	Procedure 1	—	—	—

Procedure 1: Connect a 0.01 μ F capacitor between this pin and GND.

Procedure 2: Connect to GND.

Procedure 3: Leave open.

Procedure 4: Connect a 10 k Ω resistor between this pin and GND.

How to start the I²C BUS

After power on, send bus data as follows. Use software to handle the procedure.

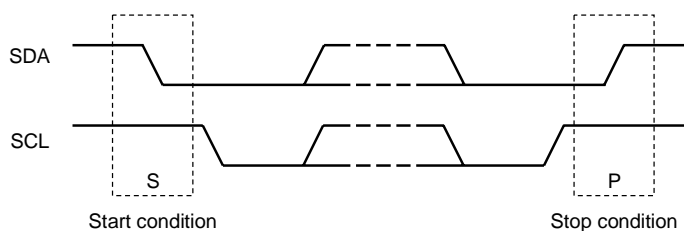
1. Turn on the power.
2. Transmit all the write data.

How to transmit/receive via the I²C BUS

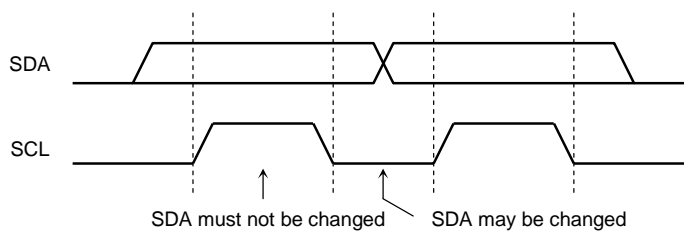
Slave Address: DE_H / DF_H

A6	A5	A4	A3	A2	A1	A0	W/R
1	1	0	1	1	1	1	0/1

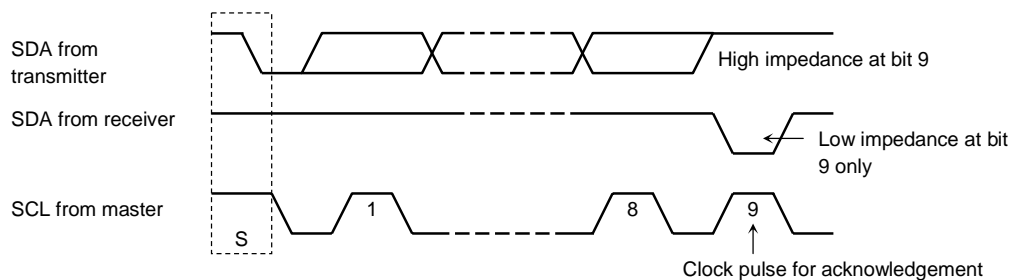
Start and Stop Conditions



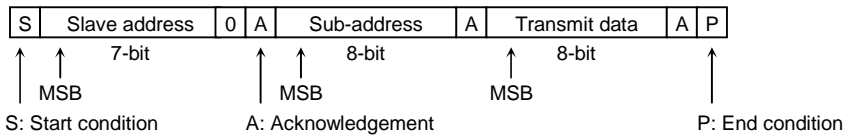
Bit Transmission



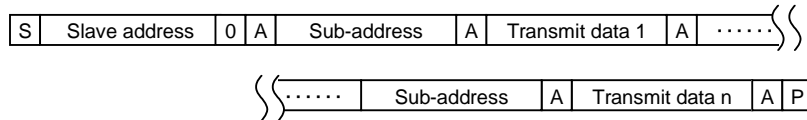
Acknowledgement



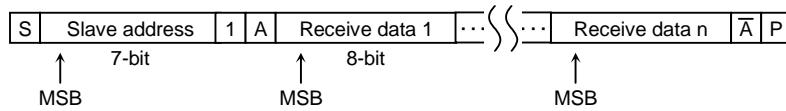
Data Transmit Format 1



Data Transmit Format 2



Data Receive Format



To receive data, the master transmitter changes to a receiver immediately after the first acknowledgement. The slave receiver changes to a transmitter. The end condition is always created by the master.

Optional Data Transmit Format (Automatic Increment Mode)



In this way, sub-addresses are automatically incremented from the specified sub-address and data are set.

I²CBUS Conditions

Parameter	Symbol	Min	Typ.	Max	Unit
Low level input voltage	V _{IL}	0	–	1.1	V
High level input voltage	V _{IH}	2.4	–	V/S-V _{CC}	V
Hysteresis of Schmitt trigger inputs	V _{hys}	–	0.7	–	V
Low level output voltage at 3 mA sink current	V _{OL1}	0	–	0.4	V
Input current each I/O pin with an input voltage between 0.1 V _{DD} and 0.9 V _{DD}	I _i	-10	–	10	μA
Capacitance for each I/O pin	C _i	–	–	10	pF
SCL clock frequency	f _{SCL}	0	–	400	kHz
Hold time START condition	t _{HD,STA}	0.6	–	–	μs
Low period of SCL clock	t _{LOW}	1.3	–	–	μs
High period of SCL clock	t _{HIGH}	0.6	–	–	μs
Set-up time for a repeated START condition	t _{SU,STA}	0.6	–	–	μs
Data hold time	t _{HD,DAT}	0	–	–	ns
Data set-up time	t _{SU,DAT}	100	–	–	ns
Set-up time for STOP condition	t _{SU,STO}	0.6	–	–	μs
Bus free time between a STOP and START condition	t _{BUF}	1.3	–	–	μs

Note: This parameter is not tested during production and is provided only as information to assist the design of applications.

Absolute Maximum Ratings (Ta = 25°C)

Characteristic	Symbol	Rating	Unit
Supply voltage	9 V Vcc	V _{CCmax9}	12.0
	5 V Vcc	V _{CCmax5}	6.0
	3.3 V Vcc	V _{CCmax3}	6.0
Input pin voltage	V _{in}	GND – 0.3 to Vcc + 0.3	V
Y or Sync input amplitude (pin 15, 33, 36, 38, 41, 49, 51, 55, 57, 61, 69, 71, 75, 77)	Y _{in}	2.0	Vp-p
Power dissipation	P _D (Note 4)	2451	mW
Power dissipation reduction rate	1/θja	19.6	mW/°C
Operating temperature	T _{opr}	–20 to 75	°C
Storage temperature	T _{stg}	–55 to 150	°C

Note 4: Refer to the figure below. Note, however, that the condition applies only where the device is mounted on a board 114.3 x 76.2 x t:1.6 mm, Cu 20%. Mount the device on a board which is larger than it.

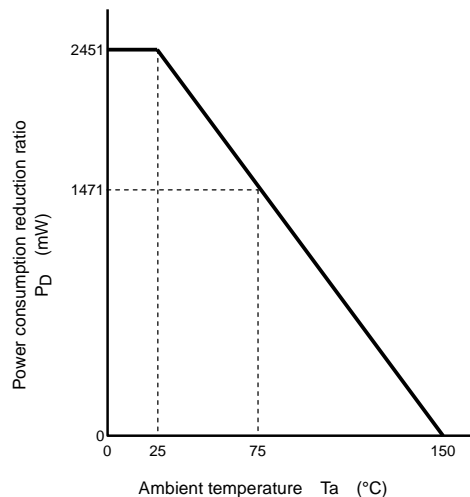


Figure PD - Ta Curve

Note 5: Install the product correctly. Otherwise, it may result in break down, damage and/or degradation to the product or equipment.

The absolute maximum ratings of a semiconductor device are a set of specified parameter values, which must not be exceeded during operation, even for an instant.

If any of these rating would be exceeded during operation, the device electrical characteristics may be irreparably altered and the reliability and lifetime of the device can no longer be guaranteed.

Moreover, these operations with exceeded ratings may cause break down, damage and/or degradation to any other equipment. Applications using the device should be designed such that each maximum rating will never be exceeded in any operating conditions.

Before using, creating and/or producing designs, refer to and comply with the precautions and conditions set forth in this documents.

Operating conditions

Characteristic		Description	Min	Typ.	Max	Unit	
Supply voltage (V _{CC})	Pin 24		8.5	9.0	9.5	V	
	Pin 11		4.7	5.0	5.3		
	Pin 29; Supply power from V/S V _{CC} (pin 11) via a resistor.		3.1	3.3	3.5		
Y/G signal input amplitude	Pins 49, 55, 69, 75; with sync		—	1.0	—	V _{p-p}	
CVBS/SY input amplitude	Pins 36, 38, 41, 49, 55, 57, 61, 69, 75, 77 (51, 71); with sync		—	1.0	—	V _{p-p}	
Y/G signal input frequency	Pins 49, 55, 69, 75		0	—	60	MHz	
CVBS/SY input frequency	Pins 36, 38, 41, 49, 55, 57, 61, 69, 75, 77 (51, 71)		0	—	8	MHz	
SC (Chroma) signal input amplitude	Pin 59, 79 (45, 47, 53, 65, 67, 73)		—	—	2	V _{p-p}	
Cb, Cr, Pb, Pr signal input amplitude	Pins 45, 47, 51, 53, 65, 67, 71, 73; 100% color bar signal		—	0.7	—	V _{p-p}	
Cb, Cr, Pb, Pr signal input frequency	Pins 45, 47, 51, 53, 65, 67, 71, 73		0	—	60	MHz	
R, G, B signal input amplitude	Pins 45, 47, 49, 51, 53, 55, 65, 67, 69, 71, 73, 75; 100% white signal without sync		—	0.7	—	V _{p-p}	
R, G, B signal input frequency	Pins 45, 47, 49, 51, 53, 55, 65, 67, 69, 71, 73, 75		0	—	60	MHz	
HD, VD signal input amplitude	Pins 30, 31		1.0	—	2.0	V _{p-p}	
HD input frequency	Pins 31 for freq counter		0	—	85	kHz	
VD input frequency	Pins 30 for freq counter		23	—	3500	Hz	
FB input level	Pins 44, 50, 64, 70	H	1.0	—	3.0	V	
		L	GND	—	0.4		
FB input width	Pins 44, 50, 64, 70		80	—	—	ns	
DC detection input voltage	DC1 to 12	Pins 39, 40, 44, 46, 48, 50, 60, 64, 66, 68, 70, 80	H	3.5	—	V/S V _{CC}	V
			M	1.4	2.2	2.4	
			L	GND	—	0.6	
	S1 to 8	Pins 45, 47, 53, 59, 65, 67, 73, 79	L	GND	—	0.6	V
SDA input current	Pins 25		—	—	3	mA	

 Remark: Supply power to all V_{CC} pins (pin 11, 24, 29).

Electrical Characteristics

(Unless otherwise specified, AU $V_{CC} = 9\text{ V}$, V/S $V_{CC} = 5\text{ V}$, $V_{dd} = 3.3\text{ V}$, $T_a = 25^\circ\text{C}$, I²CBUS data: preset values)

Current Consumption (AU8/9/10 PIN = 1, f₀ SW1/2 = 1, BANDWIDTH1/2 = max)

Pin Name	Symbol	Test Conditions	Min	Typ.	Max	Unit
AU V_{CC} (pin 24)	I_{CCAU}	—	7.5	9.5	12.5	mA
V/S V_{CC} (pin 11)	I_{CCVS}	—	100	125	165	
V_{dd} (pin 29)	I_{CCD}	Resistance to 5 V; R = 180 Ω	6.3	9.4	12.8	

Pin Voltage (test condition: no signal input)

Pin No.	Pin Name	Symbol	Test Conditions	Min	Typ.	Max	Unit
1	AL3 OUT	V_1	—	3.8	4.1	4.4	V
2	MONITOR OUT	V_2	—	0.9	1.2	1.5	
3	AR3 OUT	V_3	—	3.8	4.1	4.4	
4	CVBS1 OUT	V_4	—	1.0	1.3	1.6	
5	AL1 OUT	V_5	—	3.8	4.1	4.4	
6	Y1/G1 OUT	V_6	—	1.0	1.3	1.6	
7	AR1 OUT	V_7	—	3.8	4.1	4.4	
8	Cb1/B1 OUT	V_8	—	1.0	1.3	1.6	
10	Cr1/R1 OUT	V_{10}	—	1.0	1.3	1.6	
14	SYNC FILTER	V_{14}	—	3.0	3.3	3.6	
15	SYNC2 IN	V_{15}	—	1.5	1.8	2.1	
17	CVBS2 OUT	V_{17}	—	1.0	1.3	1.6	
18	AL2 OUT	V_{18}	—	3.8	4.1	4.4	
19	Y2/G2 OUT	V_{19}	—	1.0	1.3	1.6	
20	AR2 OUT	V_{20}	—	3.8	4.1	4.4	
21	Cb2/B2 OUT	V_{21}	—	1.0	1.3	1.6	
23	Cr2/R2 OUT	V_{23}	—	1.0	1.3	1.6	
28	XTAL	V_{28}	—	3.8	4.05	4.3	
30	VD IN	V_{30}	—	1.2	1.45	1.7	
31	HD IN	V_{31}	—	1.2	1.45	1.7	
33	SYNC1 IN	V_{33}	—	1.5	1.8	2.1	
34	Yvi OUT	V_{34}	—	1.9	2.2	2.5	
35	AR1 IN	V_{35}	—	4.2	4.4	4.6	
36	CVBS3 IN	V_{36}	—	2.0	2.3	2.6	
37	AL1 IN	V_{37}	—	4.2	4.4	4.6	
38	CVBS4 IN	V_{38}	—	2.0	2.3	2.6	
39	AR8 IN/DC1	V_{39}	—	4.2	4.4	4.6	
40	AL8 IN/DC2	V_{40}	—	4.2	4.4	4.6	

Pin No.	Pin Name	Symbol	Test Conditions	Min	Typ.	Max	Unit
41	CVBS5 IN	V ₄₁	–	2.0	2.3	2.6	V
42	AR2 IN	V ₄₂	–	4.2	4.4	4.6	
43	AL2 IN	V ₄₃	–	4.2	4.4	4.6	
45	Cr1/R1 IN	V ₄₅	–	2.6	2.9	3.2	
46	AR9 IN/DC4	V ₄₆	–	4.2	4.4	4.6	
47	Cb1/B1 IN	V ₄₇	–	2.6	2.9	3.2	
48	AL9 IN/DC5	V ₄₈	–	4.2	4.4	4.6	
49	Y1/G1 IN	V ₄₉	–	2.0	2.3	2.6	
51	Cr3/R3 IN	V ₅₁	–	2.6	2.9	3.2	
52	AR3 IN	V ₅₂	–	4.2	4.4	4.6	
53	Cb3/B3 IN	V ₅₃	–	2.6	2.9	3.2	
54	AL3 IN	V ₅₄	–	4.2	4.4	4.6	
55	Y3/G3 IN	V ₅₅	–	2.0	2.3	2.6	
56	AR4 IN	V ₅₆	–	4.2	4.4	4.6	
57	SY1 IN	V ₅₇	–	2.0	2.3	2.6	
58	AL4 IN	V ₅₈	–	4.2	4.4	4.6	
59	SC1 IN	V ₅₉	–	2.6	2.9	3.2	
61	CVBS6 IN	V ₆₁	–	2.0	2.3	2.6	
62	AR5 IN	V ₆₂	–	4.2	4.4	4.6	
63	AL5 IN	V ₆₃	–	4.2	4.4	4.6	
65	Cr2/R2 IN	V ₆₅	–	2.6	2.9	3.2	
66	AR10 IN/DC9	V ₆₆	–	4.2	4.4	4.6	
67	Cb2/B2 IN	V ₆₇	–	2.6	2.9	3.2	
68	AL10 IN/DC10	V ₆₈	–	4.2	4.4	4.6	
69	Y2/G2 IN	V ₆₉	–	2.0	2.3	2.6	
71	Cr4/R4 IN	V ₇₁	–	2.6	2.9	3.2	
72	AR6 IN	V ₇₂	–	4.2	4.4	4.6	
73	Cb4/B4 IN	V ₇₃	–	2.6	2.9	3.2	
74	AL6 IN	V ₇₄	–	4.2	4.4	4.6	
75	Y4/G4 IN	V ₇₅	–	2.0	2.3	2.6	
76	AR7 IN	V ₇₆	–	4.2	4.4	4.6	
77	SY2 IN	V ₇₇	–	2.0	2.3	2.6	
78	AL7 IN	V ₇₈	–	4.2	4.4	4.6	
79	SC2 IN	V ₇₉	–	2.6	2.9	3.2	

Audio Block

Characteristic		Symbol	Test Conditions	Min	Typ	Max	Unit
I/O gain for Fixed mode (AL/AR1, AL/AR2, AL/AR3)		Gauf	Input = 2.8 Vp-p, 1 kHz, input resistance 5.6 kΩ	-1.0	0	1.0	dB
I/O gain for ATT mode (AL/AR1, AL/AR2)	AU ATT = min	Gaumin		—	-90	-80	
	AU ATT = max	Gaumax		0	1.0	2.0	
I/O frequency characteristic		fau	-3 dB point, Note A	100	—	—	kHz
Total harmonic distortion Fixed mode (AL/AR1, AL/AR2, AL/AR3)		thdf	input = 2.8 Vp-p 1 kHz, Note A	—	0.02	0.05	%
Total harmonic distortion for ATT mode (AL/AR1, AL/AR2)		AU ATT = max thdmax		—	0.1	0.3	
Input dynamic range		Vdyau	Note A, Note B	5.6	6.5	—	Vp-p
Output offset voltage		Vauswof	Offset on AU1(2,3) OUT between AU1(2,3) OUT = 0000 to 1010	-30	0	30	mV
ATT Control offset		Vattof	Offset on AU1(2) OUT between AU1(2) ATT = max to min	-100	0	100	mV
Ripple rejection ratio		Vrrr	100 Hz and 100 mVp-p ripple is added to AU Vcc, Note A	30	45	—	dB
Mute mode attenuation		Gaumute	Input = 2.8Vp-p, 1 kHz, Note A	75	85	—	dB
Crosstalk among inputs		Gaucrs	Input = 2.8Vp-p, 1 kHz, Note A	75	85	—	dB
S/N ratio		Gausn	Input = 2.8Vp-p, 1 kHz, Note A	80	90	—	dB
Input impedance of input pins		Imau1	Pins 35, 37, 42, 43, 52, 54, 56, 58, 62, 63, 72, 74, 76, 78	65	87	109	kΩ
		Imau2	AU8/9/10 = 1 (Audio input mode), Pins 39, 40, 46, 48, 66, 68	65	87	109	
		Imaudc	AU8/9/10 = 0 (DC input mode), Pins 39, 40, 46, 48, 66, 68	122	163	204	

Note A: This parameter is not tested during production and is provided only as information to assist the design of applications.

Note B: Input = 1 kHz. The amplitude when the total harmonic distortion becomes 1%.

Video Block

Characteristic		Symbol	Test Conditions	Min	Typ.	Max	Unit
Input dynamic range	Sync-tip clamp mode	Vdsync	FILPASS = 0, BANDWIDTH = max, Sine wave input for Bias mode, Y with sync for others.	1.5	1.7	—	Vp-p
	Bias mode	Vdbias		1.4	2.1	—	
	Monitor out	Vdmoni		1.35	1.5	—	
I/O gain	GAIN = -3 dB	G-3	CVBS-OUT, YCbCr-OUT	-3.5	-3.0	-2.5	dB
	GAIN = 0 dB	G0	FILPASS = 0/1, input = 0.2Vp-p 10 kHz, BANDWIDTH = cnt, f0 SW = 1	-0.5	0	0.5	
	GAIN = +3 dB	G+3		2.5	3.0	3.5	
	GAIN = +6 dB	G+6	MONITOR OUT	5.5	6.0	6.5	
	Yvi-OUT	Gyvi	Yvi-OUT	-0.5	0	0.5	
YC MIX gain		Gycmy	SY-IN to MONITOR-OUT, no input into SC-IN, YC MIX = 1	5.5	6.0	6.5	dB
		Gycmc	SC-IN to MONITOR-OUT, no input into SY-IN, YC MIX = 1	5.5	6.0	6.5	

Characteristic		Symbol	Test Conditions	Min	Typ.	Max	Unit
I/O frequency characteristic 1-1 (YCbCr)	YCbCr GAIN = -3 dB	fg-3	FILPASS = 1, 0.2 Vp-p input, -3 dB point, Note A	80	100	—	MHz
	YCbCr GAIN = 0 dB	fg0		80	100	—	
	YCbCr GAIN = +3 dB	fg+3		80	100	—	
I/O frequency characteristic 1-2 (YCbCr)	BANDWIDTH = max	fLmax	FILPASS = 0, GAIN = 00, f0 SW = 0, 0.2 Vp-p input, -3 dB point, Note A	14.0	16.5	18.0	MHz
	BANDWIDTH = cnt	fLcnt		9.5	10.5	11.5	
	BANDWIDTH = min	fLmin		4.2	4.7	5.2	
I/O frequency characteristic 1-3 (YCbCr)	BANDWIDTH = max	fHmax	FILPASS = 0, GAIN = 00, f0 SW = 1, 0.2 Vp-p input, -3 dB point, Note A	41	46	51	MHz
	BANDWIDTH = cnt	fHcnt		27	30.3	34	
	BANDWIDTH = min	fHmin		12	13.4	15	
I/O frequency characteristic 1-4 (CbCr)	BANDWIDTH = max	fhfLmax	FILPASS = 0, GAIN = 00, f0 SW = 0, fc HALF = 1, -3 dB point, Note A	7.4	8.3	9.1	MHz
	BANDWIDTH = cnt	fhfLcnt		4.6	5.2	5.8	
	BANDWIDTH = min	fhfLmin		2.1	2.4	2.6	
I/O frequency characteristic 1-5 (CbCr)	BANDWIDTH = max	fhfHmax	FILPASS = 0, GAIN = 00, f0 SW = 1, fc HALF = 1, 0.2 Vp-p input, -3 dB point, Note A	21	24.1	27	MHz
	BANDWIDTH = cnt	fhfHcnt		14	15.7	18	
	BANDWIDTH = min	fhfHmin		6.0	6.8	8.0	
Differential 1-1 of frequency characteristic among YCbCr outputs	YCbCr GAIN = -3 dB	fdg-3	FILPASS = 1, 0.2 Vp-p input, -3 dB point, Note A	—	0	—	MHz
	YCbCr GAIN = 0 dB	fdg0		—	0	—	
	YCbCr GAIN = +3 dB	fdg+3		—	0	—	
Differential 1-2 of frequency characteristic among YCbCr outputs	BANDWIDTH = max	fdHmax	FILPASS = 0, f0 SW = 0, 0.2 Vp-p input, -3 dB point, Note A	-0.90	0	0.90	MHz
	BANDWIDTH = cnt	fdLcnt		-0.5	0	0.5	
	BANDWIDTH = min	fdHmin		-0.23	0	0.23	
Differential 1-3 of frequency characteristic among YCbCr outputs	BANDWIDTH = max	fdHmax	FILPASS = 0, f0 SW = 1, 0.2 Vp-p input, -3 dB point, Note A	-3.2	0	3.2	MHz
	BANDWIDTH = cnt	fdHcnt		-1.05	0	1.05	
	BANDWIDTH = min	fdHmin		-0.70	0	0.70	
I/O delay time 1-1 (YCbCr)	YCbCr GAIN = -3 dB	TdL-3	FILPASS = 1, 1 MHz, Note A	—	4	10	ns
	YCbCr GAIN = 0 dB	TdL0		—	4	10	
	YCbCr GAIN = +3 dB	TdL+3		—	4	10	
I/O delay time 1-2 (YCbCr)	BANDWIDTH = max	TdLmax	FILPASS = 0, GAIN = 00, f0 SW = 0, 1 MHz, Note A	28	33	38	ns
	BANDWIDTH = cnt	TdLcnt		45	48	55	
	BANDWIDTH = min	TdLmin		96	107	120	
I/O delay time 1-3 (YCbCr)	BANDWIDTH = max	TdHmax	FILPASS = 0, GAIN = 00, f0 SW = 1, 1 MHz, Note A	10	16	20	ns
	BANDWIDTH = cnt	TdHcnt		15	20	25	
	BANDWIDTH = min	TdHmin		35	39	45	

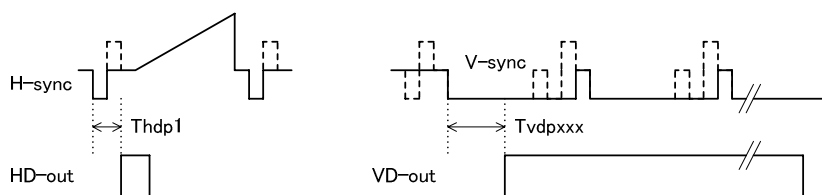
Characteristic		Symbol	Test Conditions	Min	Typ.	Max	Unit
I/O delay time 1-4 (CbCr)	BANDWIDTH = max	TdhfLmax	FILPASS = 0, GAIN = 00, f0 SW = 0, fc HALF = 1, 1 MHz, Note A	55	60	65	ns
	BANDWIDTH = cnt	TdhfLcnt		80	91	100	
	BANDWIDTH = min	TdhfLmin		190	220	260	
I/O delay time 1-5 (CbCr)	BANDWIDTH = max	TdhfHmax	FILPASS = 0, GAIN = 00, f0 SW = 1, fc HALF = 1, 1 MHz, Note A	20	24	30	ns
	BANDWIDTH = cnt	TdhfHcnt		29	34	39	
	BANDWIDTH = min	TdhfHmin		66	72	80	
Differential 1-1 of delay time among YCbCr outputs	YCbCr GAIN = -3 dB	Tddg-3	FILPASS = 1, 1 MHz, Note A	-10	0	10	ns
	YCbCr GAIN = 0 dB	Tddg0		-10	0	10	
	YCbCr GAIN = +3 dB	Tddg+3		-10	0	10	
Differential 1-2 of delay time among YCbCr outputs	BANDWIDTH = max	TddHmax	FILPASS = 0, f0 SW = 0, 1 MHz, Note A	-10	0	10	ns
	BANDWIDTH = cnt	TddHcnt		-10	0	10	
	BANDWIDTH = min	TddHmin		-10	0	10	
Differential 1-3 of delay time between Y and Cb/Cr outputs	BANDWIDTH = max	TddHmax	FILPASS = 0, f0 SW = 1, fc HALF = 1, 1 MHz, Note A	0	8	20	ns
	BANDWIDTH = cnt	TddHcnt		5	14	20	
	BANDWIDTH = min	TddHmin		25	33	45	
Differential 1-4 of delay time between Cb and Cr outputs	BANDWIDTH = max	TddHmax	FILPASS = 0, f0 SW = 0, fc HALF = 1, 1 MHz, Note A	-10	0	10	ns
	BANDWIDTH = cnt	TddHcnt		-10	0	10	
	BANDWIDTH = min	TddHmin		-20	0	20	
I/O frequency characteristic 2-1 (CVBS)	CVBS GAIN = -3 dB	fg-3c	FILPASS = 1, 0.2 Vp-p input, -3 dB point, Note A	60	80	—	MHz
	CVBS GAIN = 0 dB	fg0c		60	80	—	
	CVBS GAIN = +3 dB	fg+3c		60	80	—	
I/O frequency characteristic 2-2 (CVBS)	BANDWIDTH = max	fmaxc	FILPASS = 0, GAIN = 00, 0.2 Vp-p input, -3 dB point, Note A	14.0	16.4	18.0	MHz
	BANDWIDTH = cnt	fcntc		9.5	10.6	11.5	
	BANDWIDTH = min	fminc		4.1	4.6	4.9	
I/O delay time 2-1 (CVBS)	CVBS GAIN = -3 dB	TdL-3	FILPASS = 1, 1 MHz, Note A	—	5	10	ns
	CVBS GAIN = 0 dB	TdL0		—	5	10	
	CVBS GAIN = +3 dB	TdL+3		—	5	10	
I/O delay time 2-2 (CVBS)	BANDWIDTH = max	Tdmaxc	FILPASS = 0, GAIN = 00, 1 MHz, Note A	30	34	40	ns
	BANDWIDTH = cnt	Tdcntc		45	49	55	
	BANDWIDTH = min	Tdminc		100	108	120	
I/O frequency characteristic 3 (MONITOR)		fgm	0.2 Vp-p input, -3 dB point, Note A	60	80	—	MHz
I/O frequency characteristic 4 (Yvi)		fgm	0.2 Vp-p input, -3 dB point, Note A	80	100	—	MHz
Mute mode attenuation		Gmute	5 MHz sin wave input, Note A	—	-70	-60	dB
Crosstalk	Among input channels	Gcrschs	5 MHz sin wave input, Note A	—	-70	-60	dB
	Among inputs in a channel	Gcrsins		—	-60	-55	
		HD, VD, FB or SYNC-in to Video-outs	Gcrsync	While HD, VD or FB-out is output. BANDWIDTH=min, NOTE A	—	3	—

Synchronization Block (Test Condition: A-SYNC = 1 (ON))

Characteristic		Symbol	Test Conditions	Min	Typ	Max	Unit
H/V-sync separation level	525/60i	Vsep100	HV-SEP = 00, Note A, Note C	12	18	24	%
		Vsep101	HV-SEP = 01, Note A, Note C	20	26	32	
		Vsep110	HV-SEP = 10, Note A, Note C	26	31	38	
		Vsep111	HV-SEP = 11, Note A, Note C	38	43	50	
	1125/60i	Vsep200	HV-SEP = 00, Note A, Note C	20	25	30	%
		Vsep201	HV-SEP = 01, Note A, Note C	28	33	38	
		Vsep210	HV-SEP = 10, Note A, Note C	33	38	43	
		Vsep211	HV-SEP = 11, Note A, Note C	45	50	55	
	SVGA/60	Vsep300	HV-SEP = 00, Note A, Note C	14	20	26	%
		Vsep301	HV-SEP = 01, Note A, Note C	21	27	33	
		Vsep310	HV-SEP = 10, Note A, Note C	27	33	39	
		Vsep311	HV-SEP = 11, Note A, Note C	38	44	50	
Threshold amplitude for HD input		VthHD	HV OUT = 1	0.8	—	—	Vp-p
Threshold amplitude for VD input		VthVDn	HV OUT = 1	0.9	—	—	Vp-p
HD-OUT voltage		VhdH	High level	1.0	1.2	1.4	V
		VhdL	Low level	—	0.1	0.4	
HD-OUT width		Thdw0	HD WIDTH = 0	1.6	1.7	1.8	μs
		Thdw1	HD WIDTH = 1	0.6	0.7	0.8	
HD-OUT phase	H sync-in to HD-out	Thdp1	HV OUT = 0, 1125/60p input, Note D	70	90	110	ns
	HD-in to HD-out	Thdp2	HV OUT = 1, Note A	25	34	40	ns
VD-OUT voltage		VvdH	High level	1.0	1.2	1.4	V
		VvdL	Low level	—	0.1	0.4	
VD-OUT width	Sync sep	Tvdws	Separated VD-OUT	—	290	—	μs
	1250i ODD	Tvdwodd	When 1250i input	—	285	—	μs
	1250i EVEN	Tvdweven		—	270	—	
	Free-run 1	Tvdwfi	Free-run VD-OUT in interlace mode	—	4	—	H
	Free-run 2	Tvdwfp	Free-run VD-OUT in progressive mode	—	8	—	
VD-OUT phase	V sync-in to VD-out	Tvdp	Except 1250/50i input, Note D	0.15	0.20	0.25	H
	H sync-in to VD-out	Tvdp1250	1250/50i input, H sync-in to VD-out, Note D	310	320	330	ns
	VD-in to VD-out	Tvdphv	HV OUT = 1, Note A	25	34	40	ns

Note C: 286 mVp-p sync input for 525/60i, 0.3 Vp-p sync input for 1125/60i and SVGA/60.

Note D: See the figures below.



Characteristic	Symbol	Test Conditions	Min	Typ.	Max	Unit
Dummy HD-OUT frequency	fh156	HV FREQ2 = 00000, H DMY = 1	—	15.564	—	kHz
	fh157/60i	HV FREQ2 = 00001, H DMY = 1	—	15.701	—	
	fh312	HV FREQ2 = 00010, H DMY = 1	—	31.401	—	
	fh315	HV FREQ2 = 00011, H DMY = 1	—	31.401	—	
	fh281/50i	HV FREQ2 = 00100, H DMY = 1	—	27.966	—	
	fh337/60i	HV FREQ2 = 00101, H DMY = 1	—	33.771	—	
	fh375	HV FREQ2 = 00110, H DMY = 1	—	37.288	—	
	fh450	HV FREQ2 = 00111, H DMY = 1	—	44.746	—	
	fh1250	HV FREQ2 = 01000, H DMY = 1	—	31.401	—	
	fh379	HV FREQ2 = 01001, H DMY = 1	—	37.288	—	
	fh640	HV FREQ2 = 01010, H DMY = 1	—	66.288	—	
	fh750	HV FREQ2 = 01011, H DMY = 1	—	74.577	—	
	fh562	HV FREQ2 = 01100, H DMY = 1	—	55.932	—	
	fh157/30p	HV FREQ2 = 10000, H DMY = 1	—	15.700	—	
	fh270	HV FREQ2 = 10001, H DMY = 1	—	27.117	—	
	fh281/25p	HV FREQ2 = 10010, H DMY = 1	—	27.965	—	
	fh337/30p	HV FREQ2 = 10011, H DMY = 1	—	33.769	—	
	fh270/48sf	HV FREQ2 = 10100, H DMY = 1	—	27.117	—	
Dummy VD-OUT frequency	fv625i	HV FREQ2 = 00000, V DMY = 1	—	312.5	—	H
	fv525i	HV FREQ2 = 00001, V DMY = 1	—	262.5	—	
	fv625p	HV FREQ2 = 00010, V DMY = 1	—	625	—	
	fv525p	HV FREQ2 = 00011, V DMY = 1	—	525	—	
	fv1125i50	HV FREQ2 = 00100, V DMY = 1	—	562.5	—	
	fv1125i60	HV FREQ2 = 00101, V DMY = 1	—	562.5	—	
	fv750p50	HV FREQ2 = 00110, V DMY = 1	—	750	—	
	fv750p60	HV FREQ2 = 00111, V DMY = 1	—	750	—	
	fv1250iO	HV FREQ2 = 01000, V DMY = 1, ODD	—	624.5	—	
	fv1250iE	HV FREQ2 = 01000, V DMY = 1, EVEN	—	625.5	—	
	fvsvga	HV FREQ2 = 01001, V DMY = 1	—	628	—	
	fvsvga	HV FREQ2 = 01010, V DMY = 1	—	1066	—	
	fvuxga	HV FREQ2 = 01011, V DMY = 1	—	1250	—	
	fv1125p50	HV FREQ2 = 01100, V DMY = 1	—	1125	—	
	fv525p30	HV FREQ2 = 10000, V DMY = 1	—	525	—	
	fv1125p24	HV FREQ2 = 10001, V DMY = 1	—	1125	—	
	fv1125p25	HV FREQ2 = 10010, V DMY = 1	—	1125	—	
	fv1125p30	HV FREQ2 = 10011, V DMY = 1	—	1125	—	
fv1125s24	HV FREQ2 = 10100, V DMY = 1	—	562.5	—		

Other Blocks

Characteristic	Symbol	Test Conditions	Min	Typ.	Max	Unit	
XTAL oscillation amplitude	Vosc	Note A, Note E	—	0.4	—	Vp-p	
FB input threshold voltage	VthFB	Pins 44, 50, 64, 70	0.6	0.75	0.9	V	
FB-OUT voltage	VfbH	High level	1.0	1.2	1.4	V	
	VfbL	Low level	—	0.1	0.4		
I/O delay time for FB	DL OFF	Tfbdoff FB DL = 0	20	40	60	ns	
	DL ON	Tfbdon FB DL = 1	50	70	90		
No signal detection filter	tnsfil1	SIG LPF = 1, Note F, Note A	0.5	1.3	1.8	μs	
Impedance for no-signal detection filter	Imnsfil200	SIG DET IMPE = 00, Note G	14	20	26	kΩ	
	Imnsfil201	SIG DET IMPE = 01, Note G	11	15	19		
	Imnsfil210	SIG DET IMPE = 10, Note G	7	10	13		
	Imnsfil211	SIG DET IMPE = 11, Note G	4.2	6.0	7.8		
No signal detection threshold voltage	Vthns00	SIG DET LVL = 00, Note H	0.45	0.55	0.65	V	
	Vthns01	SIG DET LVL = 01, Note H	0.70	0.80	0.90		
	Vthns10	SIG DET LVL = 10, Note H	0.95	1.05	1.15		
	Vthns11	SIG DET LVL = 11, Note H	1.20	1.30	1.40		
DC detection threshold (DC)	L⇄M	VdcthLM	Pins 39, 40, 44, 46, 48, 50, 60, 64, 66, 68, 70, 80	0.8	1.0	1.2	V
	M⇄H	VdcthMH		2.8	3.0	3.2	
DC detection threshold (S)	VdcthS	Pins 45, 47, 53, 59, 65, 67, 73, 79	0.8	1.0	1.2	V	

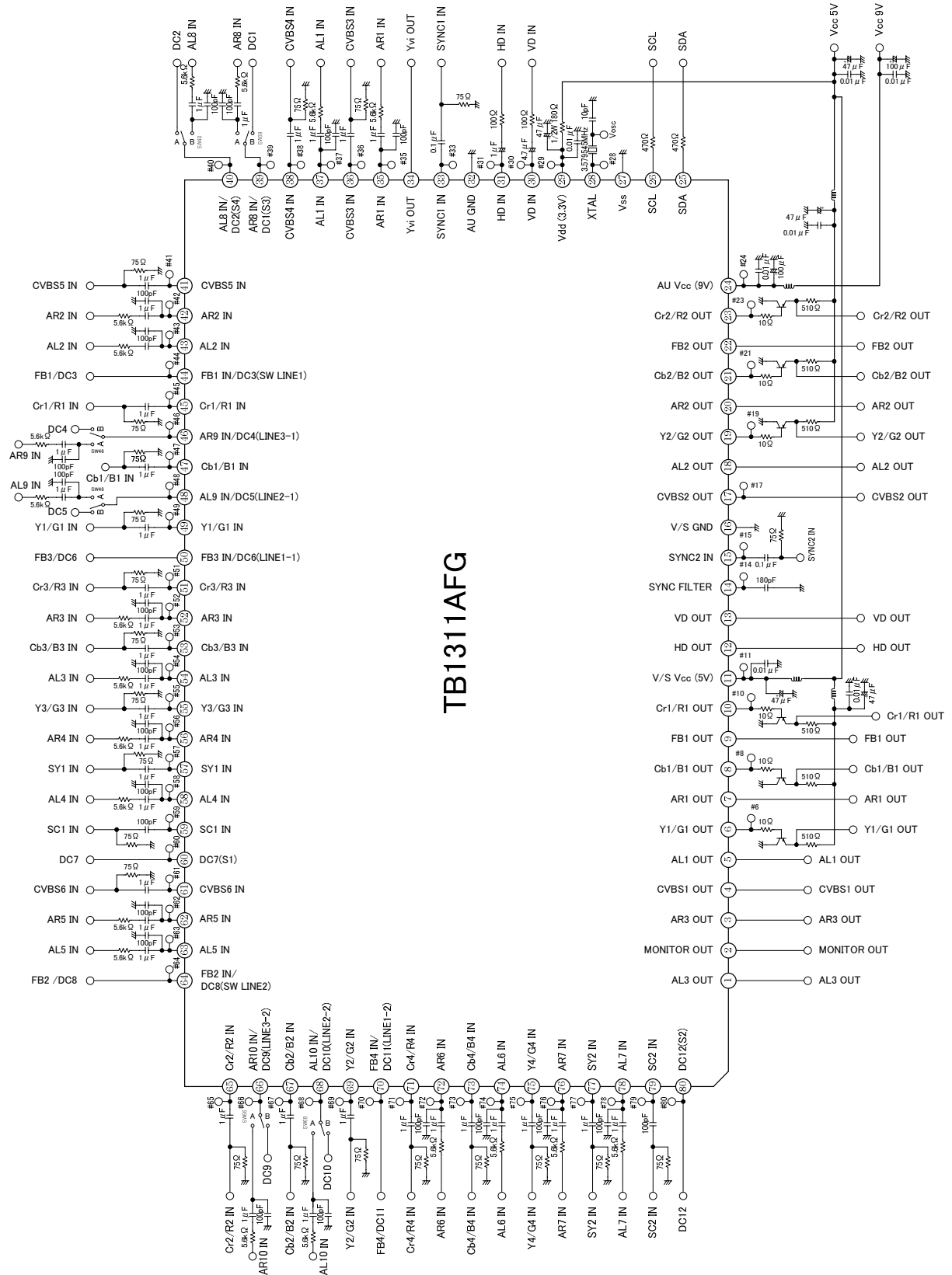
Note E: This is the amplitude of the oscillation wave at the point between the crystal and the series capacitor.

Note F: Remove the external capacitor connected with the SYNC FILTER pin (pin 14), HV SEP1 = 00, SIG DET IMPE = 11. The delay time from SYNC1-IN input (525/60i) to the SYNC FILTER waveform.

Note G: Remove the external capacitor connected with the SYNC FILTER pin (pin 14). Connect 10 kΩ resistor between the SYNC FILTER pin and GND. No input into SYNC1-IN. Measure the current (Ir) on the resistor. $Imnsfil2xx = 3.3 / Ir - 10$ kΩ.

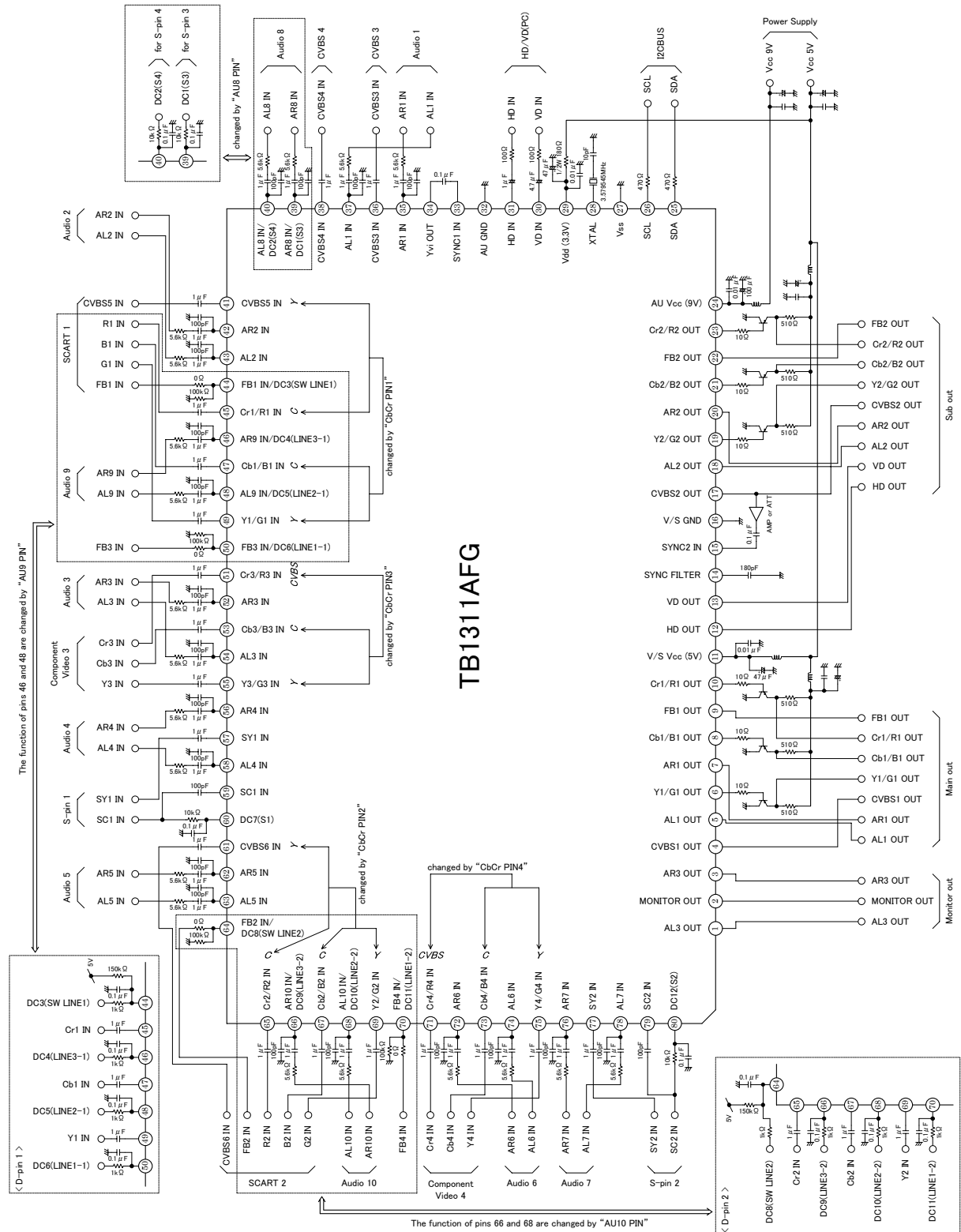
Note H: Remove the external capacitor connected with the SYNC FILTER pin (pin 14). Input a 0 V - Vthnsxx [V] pulse of 15.7 kHz into the SYNC FILTER pin. The pulse voltage during SIG DET status changes.

Test Circuit



Components in test circuits are used only to obtain and confirm the device characteristics. These components and circuits are not guaranteed to prevent malfunction or failure in the application equipment.

Application Circuit 1 (Typical Values)

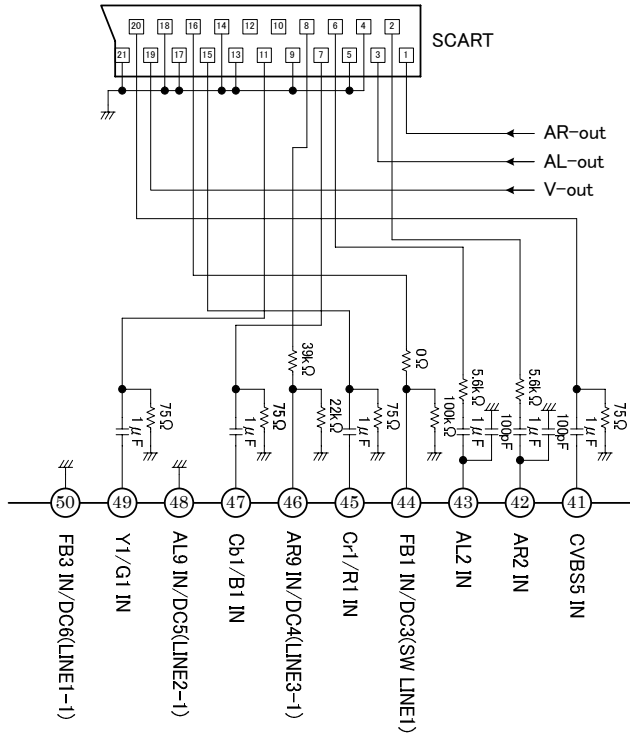


TB1311AFG

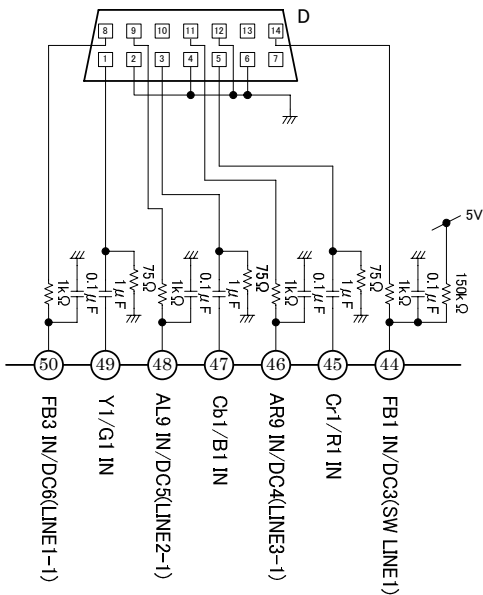
Input video signals driven with low impedance.

The application circuits shown in this document are examples provided for reference purposes only. Thorough evaluation is required in the mass production design phase. By furnishing these examples of application circuits, Toshiba does not grant the use of any industrial property rights.

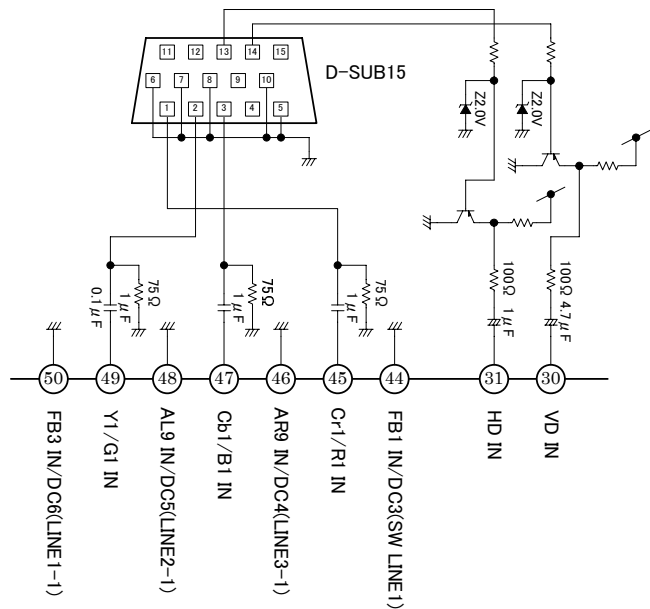
Application Circuit 2 (Examples of Connectors)



SCART connector



D-pin

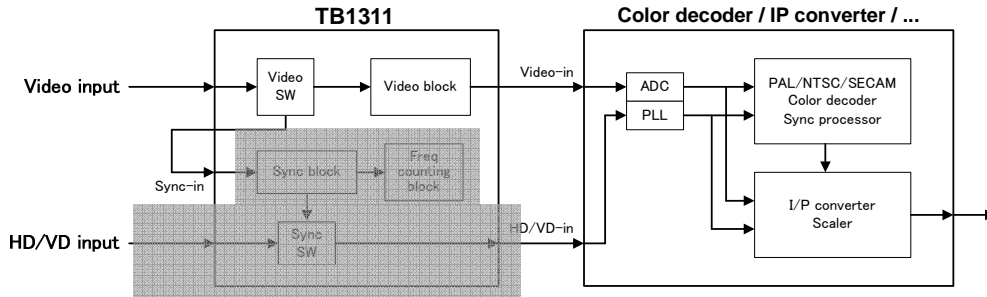


D-SUB15

The application circuits shown in this document are examples provided for reference purposes only. Thorough evaluation is required in the mass production design phase. By furnishing these examples of application circuits, Toshiba does not grant the use of any industrial property rights.

Application Circuit 3 (System Configuration)

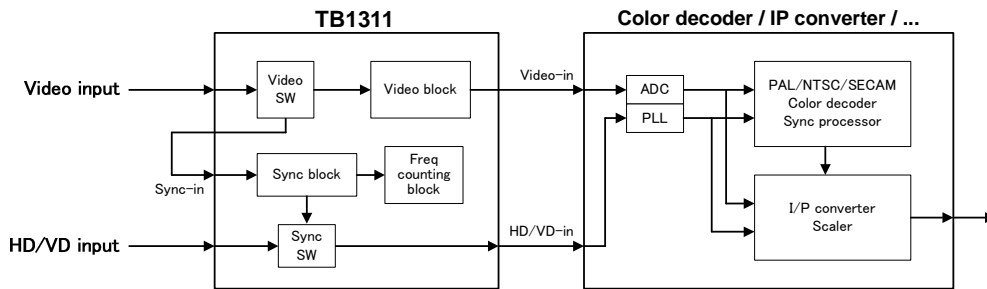
(1) For nonstandard signals such as CVBS, YC (S-video), 525i, 625i or so.



The TB1311AFG does not support weak signals, ghost signals or other nonstandard signals. Therefore, these signals should be dealt with through the use of another device capable of handling these signals, such as a color-decoder. In these cases, the signal switcher and the video circuits of the TB1311AFG can be used. In some cases, “no-input detection” can be also used for these signals.

The TB1311AFG cannot distinguish between component and RGB video. The different kinds of input signal should be separated through the use of different signal-specific input pins; for example, specific-purpose pins for RGB video input only or component video input only.

(2) For standard component video (SMPTE STANDARD) and standard RGB video (VESA STANDARD)



The TB1311AFG can detect a format type for standard signal inputs.

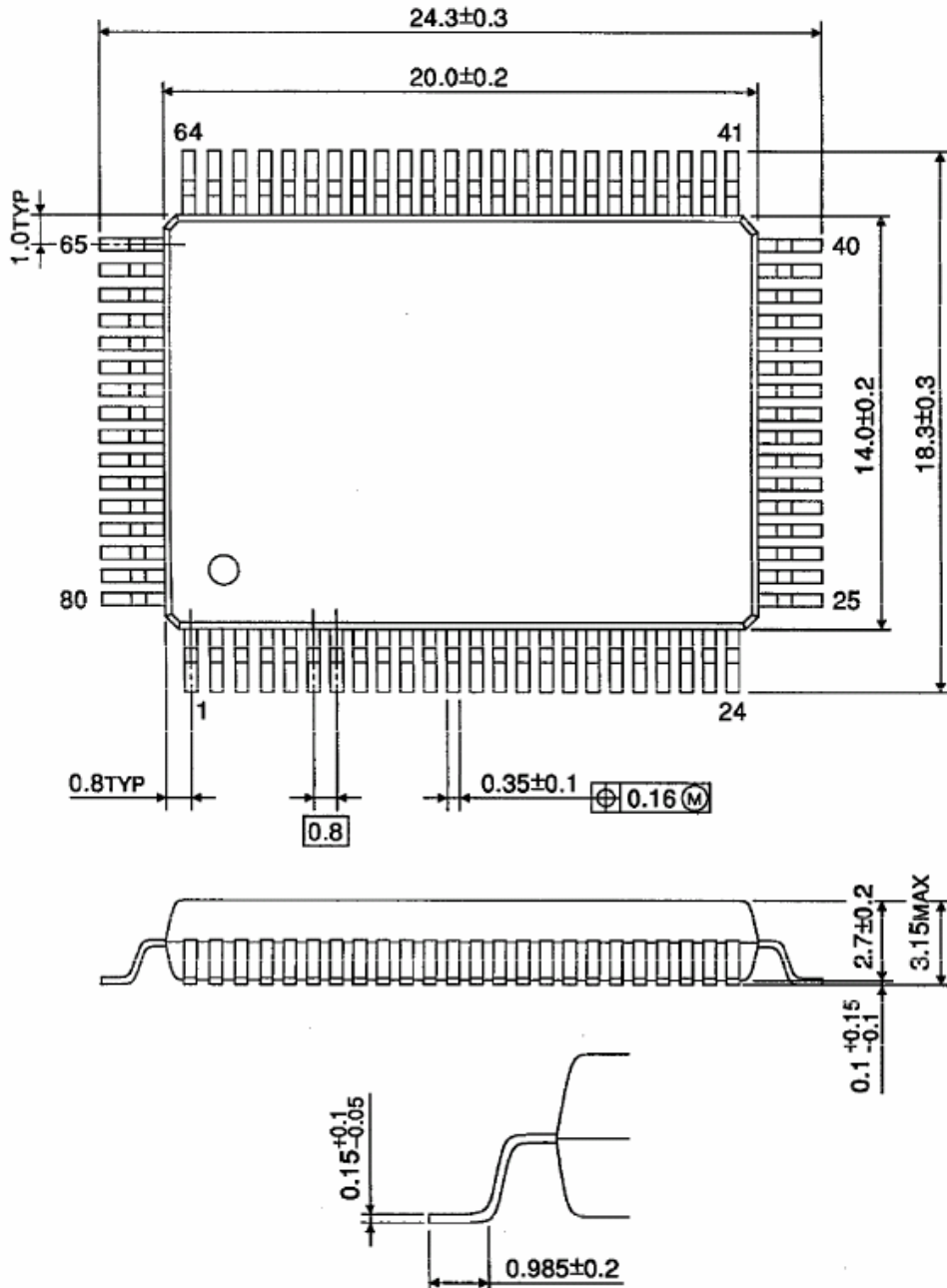
The application circuits shown in this document are examples provided for reference purposes only. Thorough evaluation is required in the mass production design phase.

By furnishing these examples of application circuits, Toshiba does not grant the use of any industrial property rights.

Package Dimensions

P-QFP80-1420-0.80C

Unit: mm



Weight: 1.6 g (typ.)

About solderability, following conditions were confirmed

- Solderability
 - (1) Use of Sn-37Pb solder Bath
 - solder bath temperature = 230°C
 - dipping time = 5 seconds
 - the number of times = once
 - use of R-type flux
 - (2) Use of Sn-3.0Ag-0.5Cu solder Bath
 - solder bath temperature = 245°C
 - dipping time = 5 seconds
 - the number of times = once
 - use of R-type flux

RESTRICTIONS ON PRODUCT USE

060116EBA

- The information contained herein is subject to change without notice. 021023_D
- TOSHIBA is continually working to improve the quality and reliability of its products. Nevertheless, semiconductor devices in general can malfunction or fail due to their inherent electrical sensitivity and vulnerability to physical stress. It is the responsibility of the buyer, when utilizing TOSHIBA products, to comply with the standards of safety in making a safe design for the entire system, and to avoid situations in which a malfunction or failure of such TOSHIBA products could cause loss of human life, bodily injury or damage to property.
In developing your designs, please ensure that TOSHIBA products are used within specified operating ranges as set forth in the most recent TOSHIBA products specifications. Also, please keep in mind the precautions and conditions set forth in the "Handling Guide for Semiconductor Devices," or "TOSHIBA Semiconductor Reliability Handbook" etc. 021023_A
- The TOSHIBA products listed in this document are intended for usage in general electronics applications (computer, personal equipment, office equipment, measuring equipment, industrial robotics, domestic appliances, etc.). These TOSHIBA products are neither intended nor warranted for usage in equipment that requires extraordinarily high quality and/or reliability or a malfunction or failure of which may cause loss of human life or bodily injury ("Unintended Usage"). Unintended Usage include atomic energy control instruments, airplane or spaceship instruments, transportation instruments, traffic signal instruments, combustion control instruments, medical instruments, all types of safety devices, etc. Unintended Usage of TOSHIBA products listed in this document shall be made at the customer's own risk. 021023_B
- The products described in this document shall not be used or embedded to any downstream products of which manufacture, use and/or sale are prohibited under any applicable laws and regulations. 060106_Q
- The information contained herein is presented only as a guide for the applications of our products. No responsibility is assumed by TOSHIBA for any infringements of patents or other rights of the third parties which may result from its use. No license is granted by implication or otherwise under any patent or patent rights of TOSHIBA or others. 021023_C
- The products described in this document are subject to the foreign exchange and foreign trade laws. 021023_E