

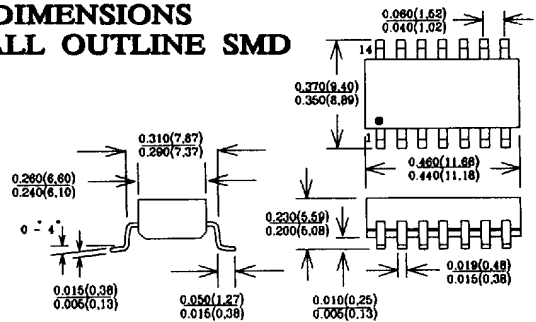
ALLEN AVIONICS, INC.

**14ST | ACTIVE DELAY LINES
16ST | 5 TAPS SURFACE MOUNT**

FEATURES

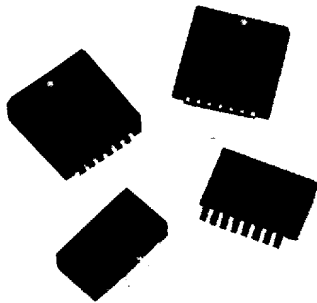
- Stable Precise Delay
- Fast Rise Times
- Small-Outline Packages
- Compatible with Pick and Place Equipment
- Operating Temperature Range: 0 °C to +70 °C
- Max. Temperature Coefficient 100ppm/ °C
- DTL and TTL Compatible
- Meets IR and Vapor Phase Requirements
- .050" Lead Spacing

**PACKAGE DIMENSIONS
14 PIN SMALL OUTLINE SMD**

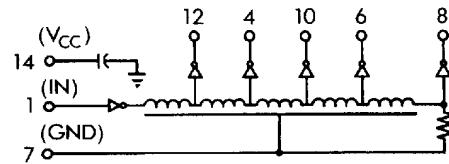


Notes:

- A. Dimensions in inches (mm)
- B. The lead contact points are planar to within 0.004 (0.10).
- C. All leads are shown for dimensional purposes. Unused leads may be omitted on the actual part.

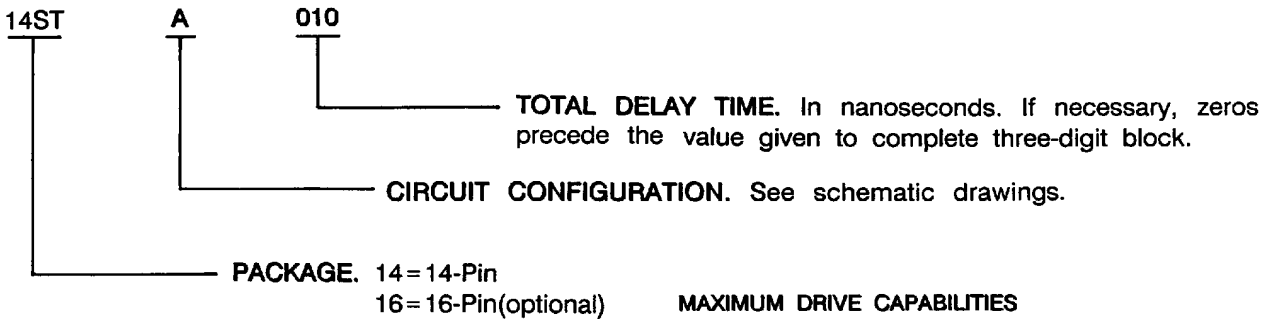


CIRCUIT DIAGRAM AND PIN-OUT



Note: Another Pin Configuration Welcomed

PART NUMBERING SYSTEM



ELECTRICAL CHARACTERISTICS

Supply Voltage, Vcc	4.5 to 5.5 V
Logic 1 Input Voltage	2.0 to 5.5 V
Maximum Logic 1 Input Current (VIN=2.0V)	50 μ A
Maximum Logic 0 Input Voltage	0.8V
Maximum Logic 0 Input Current	-2.0mA
Maximum Logic 1 Output Voltage	2.4V
Maximum Logic 0 Output Voltage	0.5V
Maximum Rise Time	4.0ns (0.75V to 2.4V)

INPUT TEST CONDITIONS

Pulse Voltage	3.2V
Rise Time	3.0ns
Typical Supply Current	60mA
Minimum Pulse Width	0.4td

MAXIMUM DRIVE CAPABILITIES

Logic 1 Output (TTL)	10 Loads/Unit
Logic 0 Output (TTL)	5 Loads/Unit
(TTL)	10 Loads/Unit

Package	Catalog Part Number	Total Delay (ns)	Tap Delay (ns)
14-Pin	14STA025	25	5.0
	14STA030	30	6.0
	14STA040	40	8.0
	14STA045	45	9.0
	14STA050	50	10.0
	14STA060	60	12.0
	14STA070	70	14.0
	14STA100	100	20.0
	14STA125	125	25.0
	14STA150	150	30.0
14STA175	175	35.0	
14STA200	200	40.0	
14STA250	250	50.0	

NOTES: Delay Tolerance: \pm 5% or 2 ns whichever is greater.