

**PLEASE CHECK WWW.MOLEX.COM FOR LATEST PART INFORMATION**

**Part Number:** [0476150001](#)  
**Status:** **Active**  
**Overview:** [battery connectors](#)  
**Description:** 2.00mm (.079") Pitch Battery Connector, SMT, Contact Width 0.67mm (.026"), 4 Circuits, Lead-free

**Documents:**

[3D Model](#) [Product Specification PS-47615-001 \(PDF\)](#)  
[Drawing \(PDF\)](#) [RoHS Certificate of Compliance \(PDF\)](#)

**General**

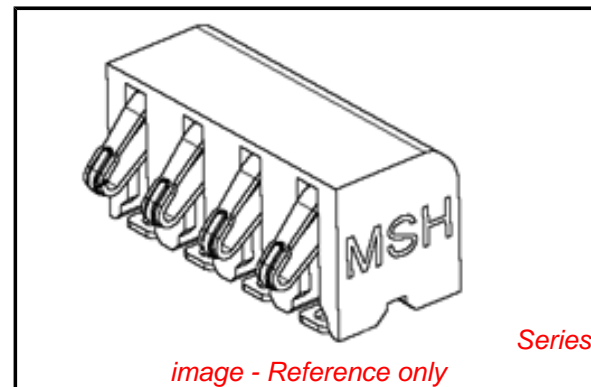
Product Family	PCB Headers
Series	<a href="#">47615</a>
Application	Board-to-Board
Overview	<a href="#">battery connectors</a>
Product Name	Battery Connector

**Physical**

Breakaway	No
Circuits (Loaded)	4
Circuits (maximum)	4
Color - Resin	Black
Durability (mating cycles max)	5,000
First Mate / Last Break	No
Glow-Wire Compliant	No
Guide to Mating Part	No
Keying to Mating Part	None
Lock to Mating Part	None
Material - Metal	Beryllium Copper
Material - Plating Mating	Gold
Material - Plating Termination	Gold
Material - Resin	High Temperature Thermoplastic
Number of Rows	1
Orientation	Right Angle
PCB Locator	No
PCB Retention	Yes
Packaging Type	Embossed Tape on Reel
Pitch - Mating Interface (in)	0.079 In
Pitch - Mating Interface (mm)	2.00 mm
Pitch - Term. Interface (in)	0.079 In
Pitch - Term. Interface (mm)	2.00 mm
Plating min: Mating (µin)	30
Plating min: Mating (µm)	0.75
Plating min: Termination (µin)	3
Plating min: Termination (µm)	0.08
Polarized to Mating Part	Yes
Polarized to PCB	No
Shrouded	No
Stackable	No
Temperature Range - Operating	-40°C to +85°C
Termination Interface: Style	Surface Mount

**Electrical**

Current - Maximum per Contact	1A
Voltage - Maximum	200V (RMS)



*image - Reference only*

**EU RoHS**

**ELV and RoHS Compliant**  
**REACH SVHC Contains SVHC: No**  
**Halogen-Free Status**

**China RoHS**



**Need more information on product environmental compliance?**

Email [productcompliance@molex.com](mailto:productcompliance@molex.com)  
 For a multiple part number RoHS Certificate of Compliance, [click here](#)

Please visit the [Contact Us](#) section for any non-product compliance questions.

**Search Parts in this Series**  
[47615Series](#)

**Solder Process Data**

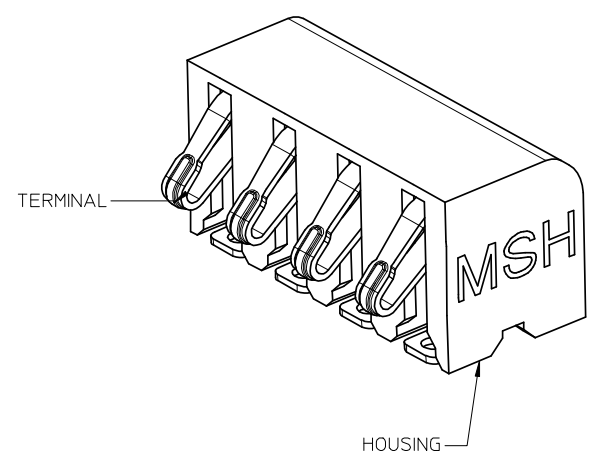
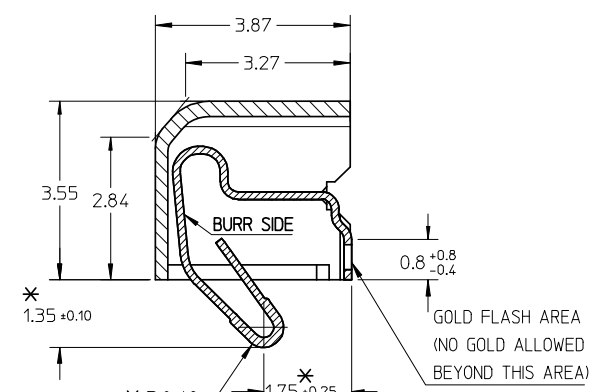
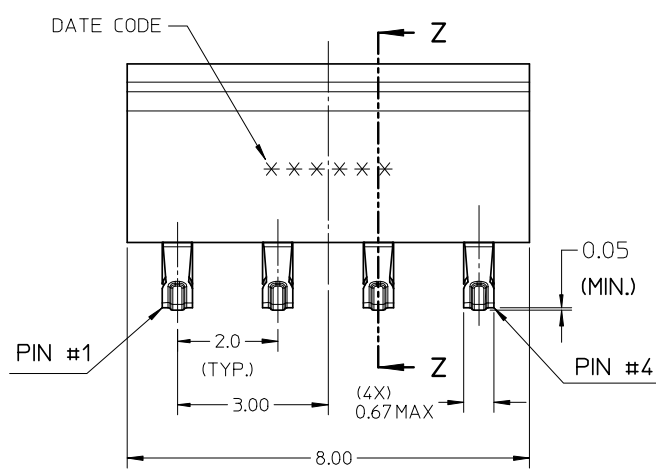
Duration at Max. Process Temperature (seconds)	10
Lead-free Process Capability	Reflow Capable (SMT only)
Max. Cycles at Max. Process Temperature	3
Process Temperature max. C	255

**Material Info****Reference - Drawing Numbers**

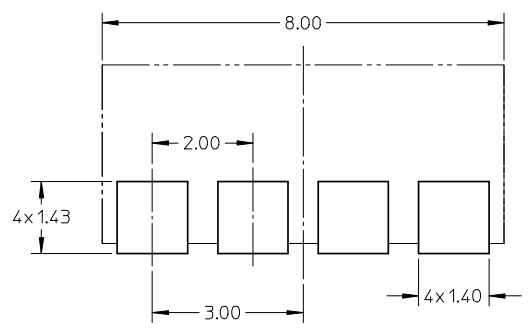
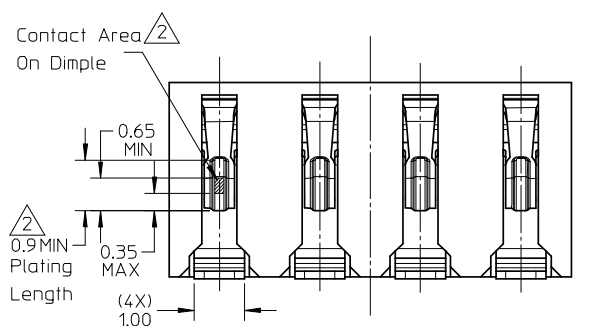
Packaging Specification	PK-47615-001
Product Specification	PS-47615-001
Sales Drawing	SD-47615-001
Test Summary	TS-47615-001

This document was generated on 05/26/2010

**PLEASE CHECK [WWW.MOLEX.COM](http://WWW.MOLEX.COM) FOR LATEST PART INFORMATION**

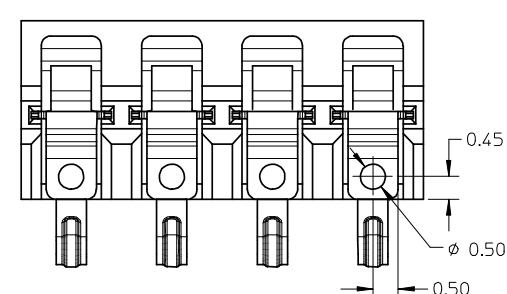


SECTION Z-Z  
 "\*" DIMENSIONS WILL BE REPORTED ON PIN#1 AND PIN#4 ONLY



RECOMMENDED PCB LAYOUT  
 (DEFAULT TOLERANCE: ±0.05)

- NOTE:
- MATERIAL:  
 HOUSING: LCP, 30% GLASS-FILLED, UL 94V-0, COLOR IS BLACK  
 TERMINAL: COPPER ALLOY, 0.15 MM BeCu C17200 290 TM06.
  - FINISH:  
 CONTACT AREA ON DIMPLE: 30 MICRO INCHES MIN GOLD PLATING OVER 50 MICRO INCHES MINI NICKEL.  
 GOLD FLASH ON PLATING LENGTH  
 SOLDER AREA: GOLD FLASH OVER 50 MICRO MINI INCHES NICKEL  
 REST AREA: 50 MICRO INCHES MINI NICKEL
  - RECOMMENED WORKING RANGE 1.05 ~ 0.55 MM.
  - COPLANARITY: 0.08 MAX AMONG THESE SOLDER TAILS.
  - PRODUCT SPECIFICATION: PS-47615-001.
  - DATE CODE: \*\* \*\* \*\* (6 DIGITS)  
 DAY  
 MONTH  
 YEAR



NEW RELEASE EC NO: DRWN: JYANG13 CHKD: APPR:	2007/12/18	DESCRIPTION	QUALITY SYMBOLS	GENERAL TOLERANCES (UNLESS SPECIFIED)		DIMENSION STYLE		SCALE	DESIGN UNITS	THIRD ANGLE PROJECTION
			▽=0	mm	INCH	10:1	METRIC	☉		
			∇=0	DRAWN BY: YLZHU02		DATE: 2007/5/17	TITLE			
				CHECKED BY: XIXU		DATE: 2007/5/17	SALES DRAWING			
			APPROVED BY: HWWANG		DATE: 2007/5/17	4 CKTS BATTERY CONNECTOR				
			MATERIAL NO. 476150001		DOCUMENT NO. SD-47615-001	MOLEX INCORPORATED				
			DRAFT WHERE APPLICABLE MUST REMAIN WITHIN DIMENSIONS		SIZE A3	THIS DRAWING CONTAINS INFORMATION THAT IS PROPRIETARY TO MOLEX INCORPORATED AND SHOULD NOT BE USED WITHOUT WRITTEN PERMISSION				
										SHEET NO. 1 OF 1