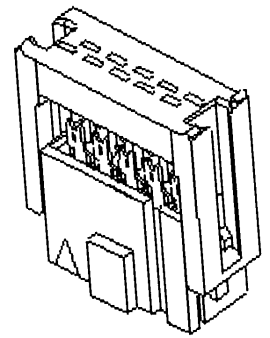
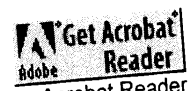


Part Detail Page

352-5880 190mm Series 90635 .. 92321-3410
 352-5958 200mm
 352-6021 300mm
 352-6094 400mm
 92321



[Click here for 2D](#)



Download free Acrobat Reader to view PDF files.

1.27mm (.050") QF 50™, Vertical, MIL/DIN Version Receptacle 90635

This product was designed in millimeters
 Designed in dimensions refer to the 2-D drawing shown below.
[Click Here to view in inches.](#)

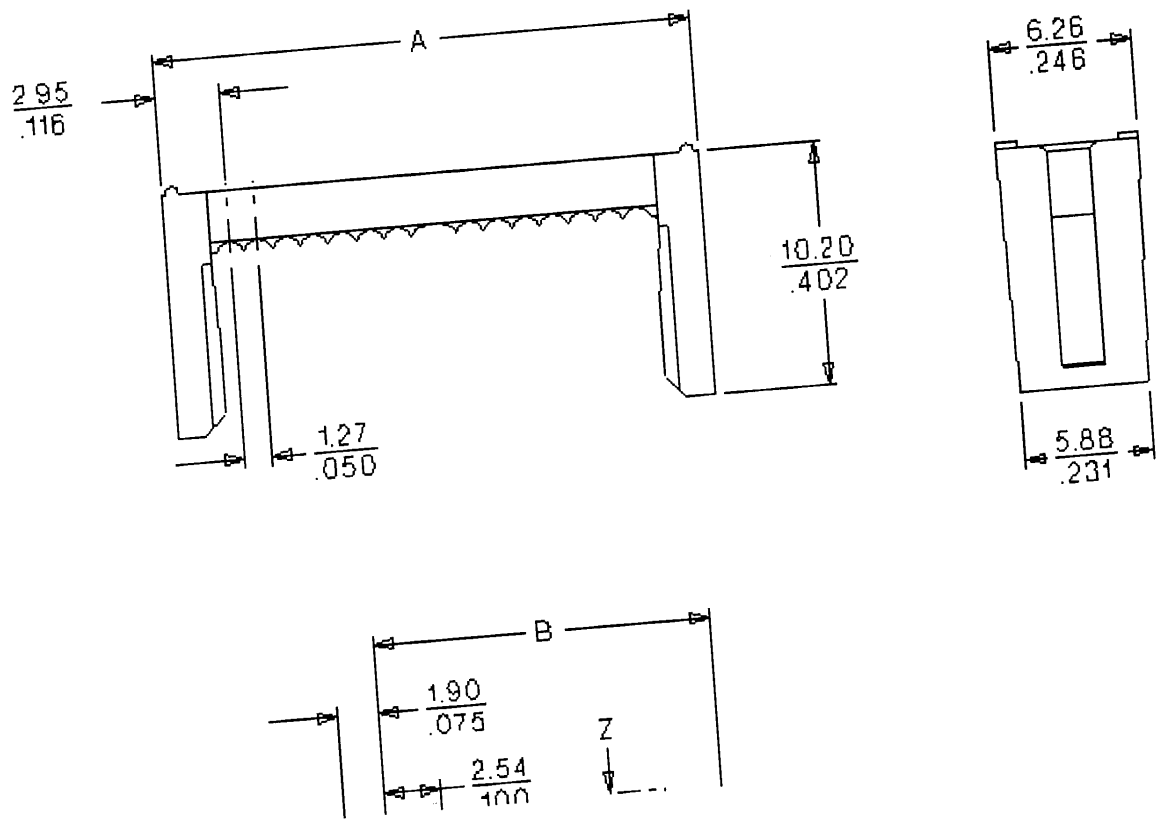
Warning: Converting to inches may cause rounding errors. Please see sales drawing for more detailed information.

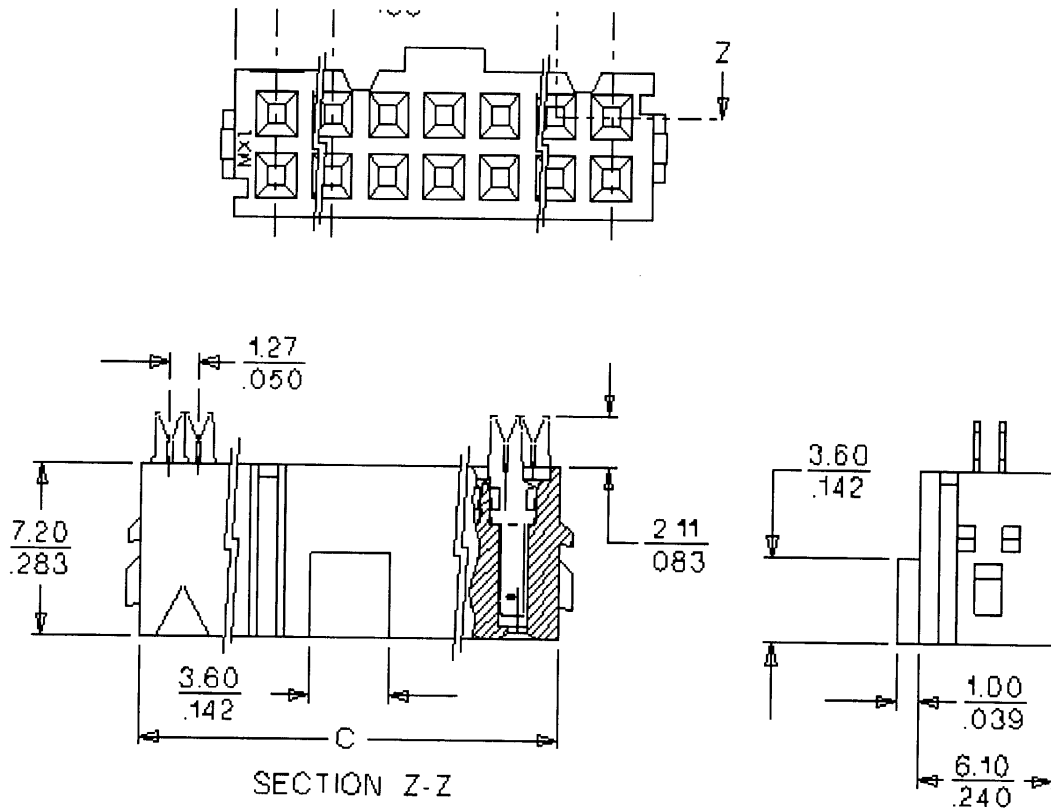
DOCUMENTS

PART INFORMATION

	3D Model	Sales Drawing (.pdf)	Molex Part No	Circuits	Plating Material	Polarization	Plating Thickness (μ)	Part Status
Sample Request	3D	SD	90635-1342	34	Au (Gold)	Yes	.76	Active

[Click Here to view all parts for series 90635](#)





[Home](#) | [Series 90635](#)

© Copyright 2001 Molex

[Help](#) [Feedback](#) [Legal Notices](#)