

HDT Series Micro Mini Surface Mount Detect Switches

NEW!

Features/Benefits

- Low profile package
- Design allows top or side actuation
- Low actuation force, 35 grams max.
- Pick and place compatible, available in tape & reel packaging
- RoHS compliant and compatible
- Halogen free

Typical Applications

- Consumer electronics
- Computers
- Medical devices
- ATCA and MicroTCA devices



AdvancedTCA[®]

μTCA[®]

Specifications

CONTACT RATING: 1 mA 5 VDC
 MECHANICAL AND ELECTRICAL LIFE: 100,000 cycles min.
 CONTACT RESISTANCE: 500 m Ω max. initial.
 INSULATION RESISTANCE: 100 M Ω min. between adjacent contacts.
 OPERATING TEMPERATURE: -40°C to + 85°C
 STORAGE TEMPERATURE: -40°C to + 85°C
 PACKAGING: Tape & reel

Materials

BASE: PA 46 (UL94V-0)
 COVER: PA 46 (UL94V-0)
 ACTUATOR: PA 46 (UL94V-0)
 MOVABLE BLADE: Stainless Steel, Ag over Ni plating.
 TERMINALS: Phosphor Bronze, Ag over Ni plating.
 SOLDERABILITY: Lead free compatible - No clean.

NOTE: Specifications and materials listed above are for switches with standard options. For information on specific and custom switches, consult Customer Service Center.

Build-A-Switch

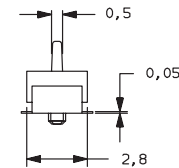
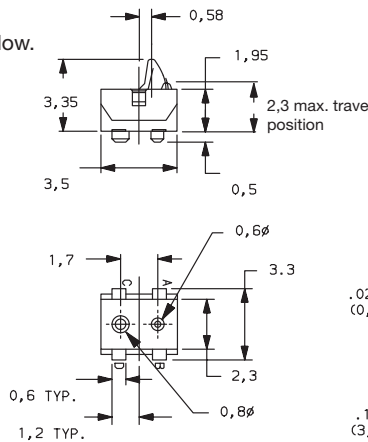
Complete part numbers for HDT Series are shown below.

PART NUMBER	PACKAGING	SCHEMATIC
HDT0001	TAPE & REEL 2,450 per reel	

NOTE: Available with no locating posts by adding "NP" (HDT0001NP) to Part Number.

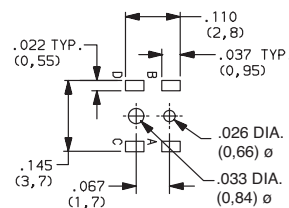
TRAVEL:

Pre-travel: .30 mm
 Overtravel: .75 mm
 Total: 1.05 mm



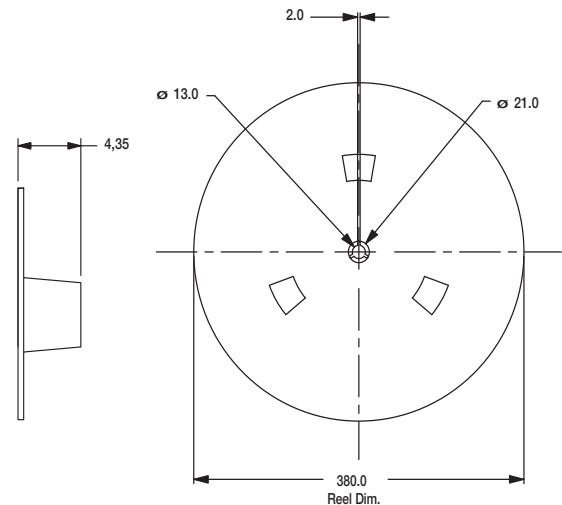
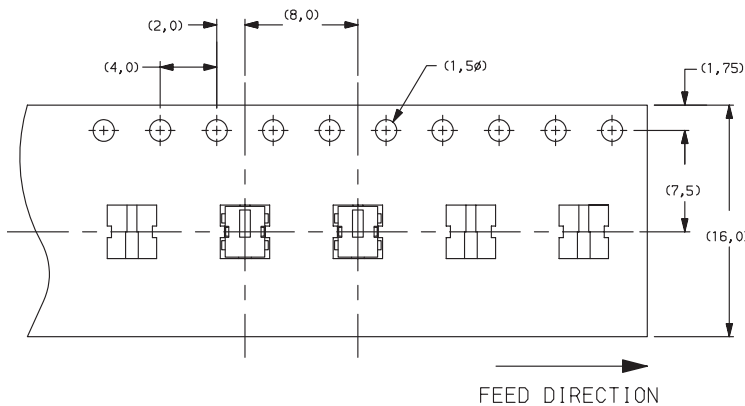
HDT0001

PC MOUNTING



TAPE & REEL

HDT0001



Third Angle Projection

Dimensions are shown: mm
 Specifications and dimensions subject to change



Detect

NEW!

HDT Series Micro Mini Surface Mount Detect Switches

HDT0004

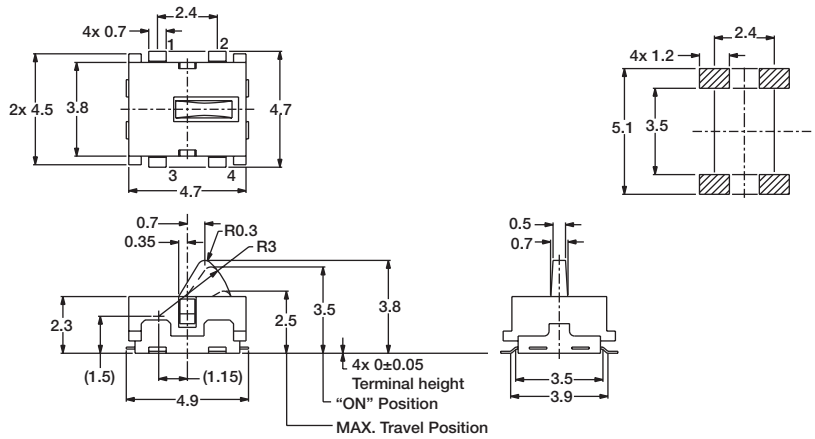


HDT0004

PART NUMBER	PACKAGING	SCHEMATIC
HDT0004	TAPE & REEL 2,800 per reel	

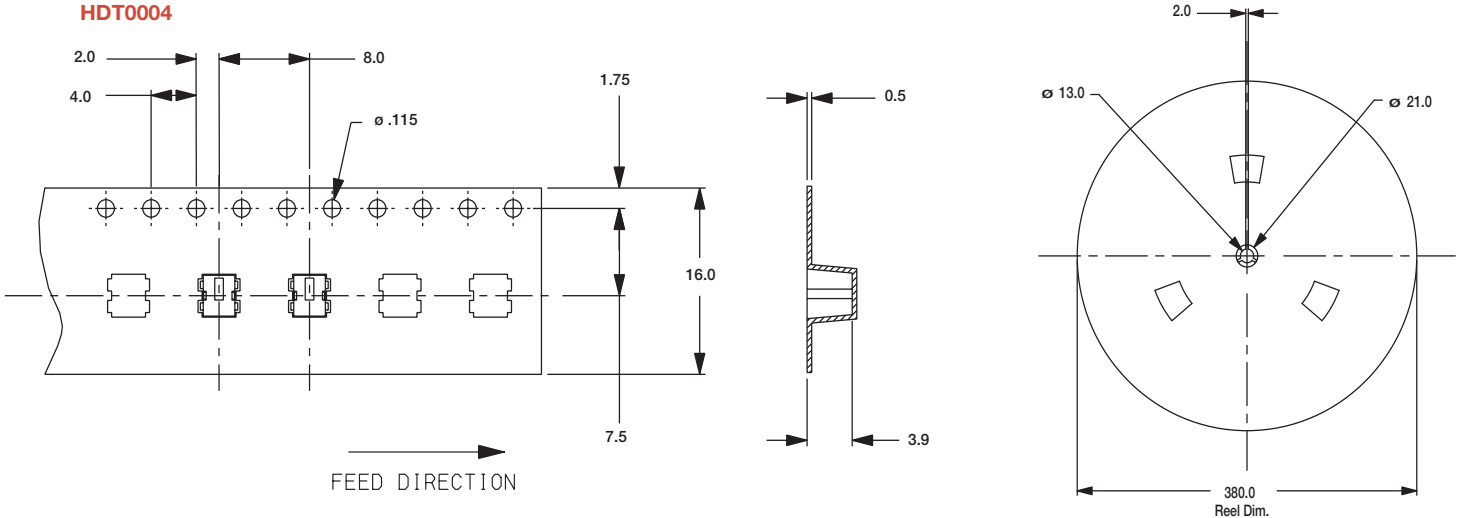
TRAVEL:

- Pre-travel: .3 mm
- Overtravel: 1.0 mm
- Total: 1.3 mm



TAPE & REEL

HDT0004



HDT0104

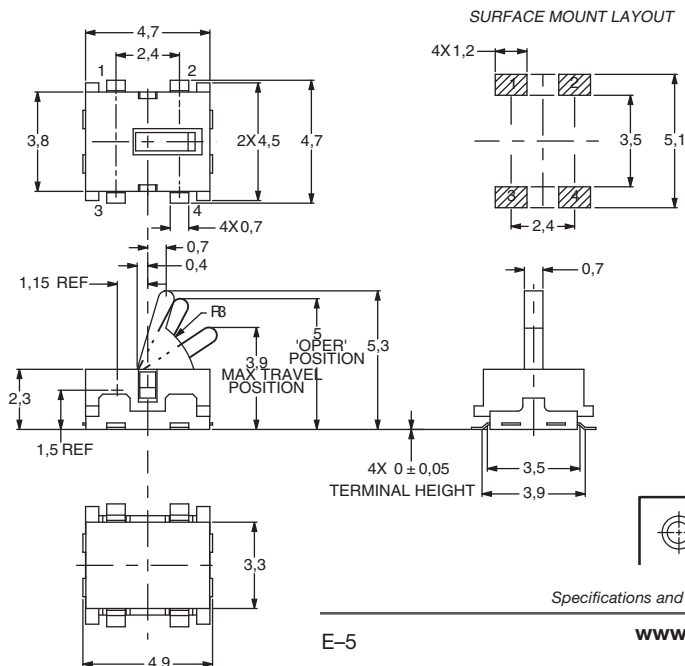


HDT0104

PART NUMBER	PACKAGING	SCHEMATIC
HDT0104	TAPE & REEL 2,100 per reel	

TRAVEL:

- Pre-travel: .3 mm
- Overtravel: 1.1 mm
- Total: 1.4 mm



Dimensions are shown in mm
Specifications and dimensions subject to change



Detect

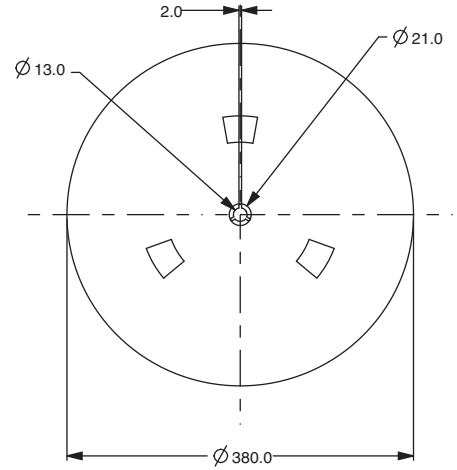
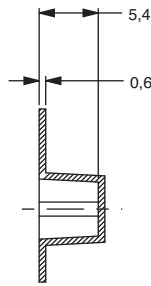
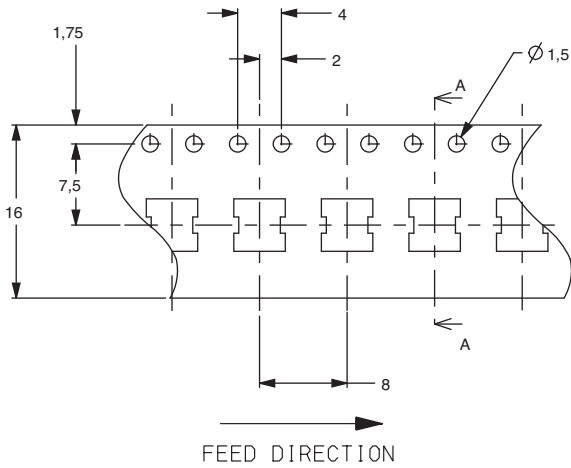
HDT Series

Micro Mini Surface Mount Detect Switches

NEW!

TAPE & REEL

HDT0104



HDT0204



HDT0204

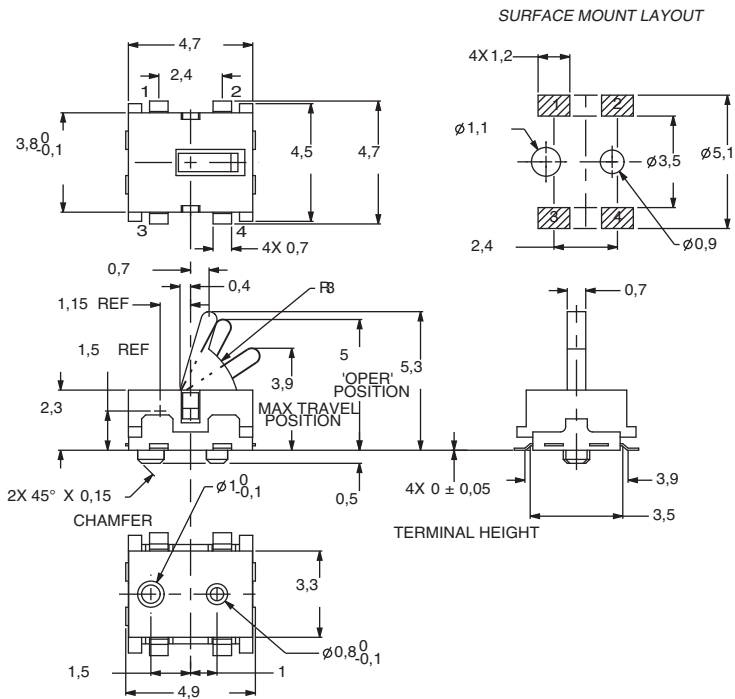
PART NUMBER	PACKAGING	SCHEMATIC
HDT0204	TAPE & REEL 2,000 per reel	

TRAVEL:

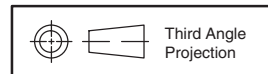
Pre-travel: .3 mm

Overtravel: 1.1 mm

Total: 1.4 mm



Detect



Dimensions are shown: mm
Specifications and dimensions subject to change

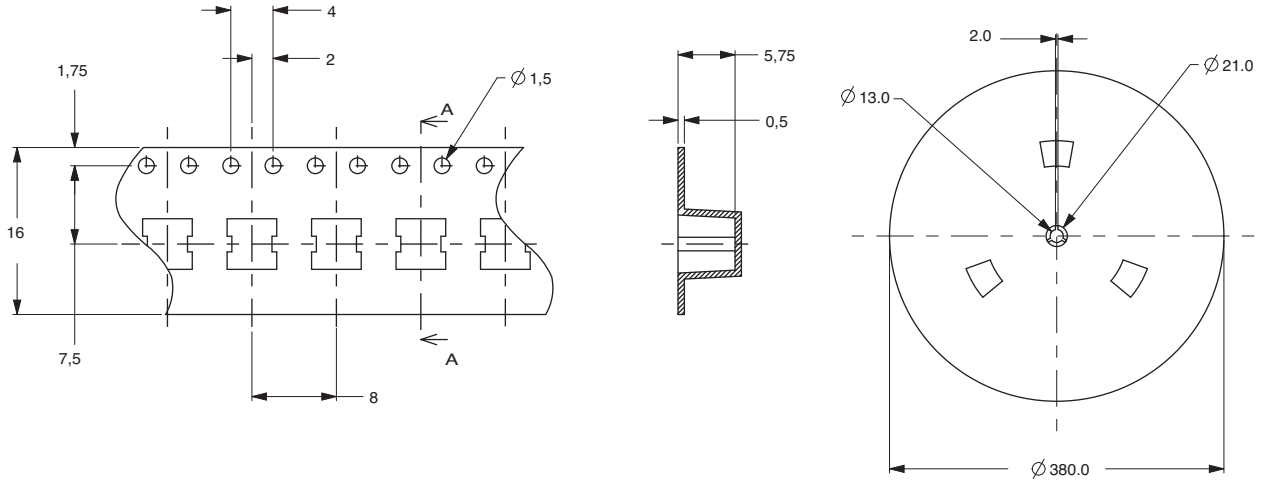


NEW!

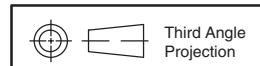
HDT Series Micro Mini Surface Mount Detect Switches

TAPE & REEL

HDT0204



Detect



Third Angle Projection
Dimensions are shown: mm
Specifications and dimensions subject to change