

5-UNIT 320mA TRANSISTOR ARRAY WITH STROBE

DESCRIPTION

The M54529AP, 5-channel sink driver, consists of 10 NPN transistors connected to form high current gain driver pairs.

FEATURES

- Output sustaining voltage to 20V
- High output sink current to 320mA
- CMOS compatible input with strobe control
- Wide operating temperature range ($T_a = -20 \sim +75^\circ\text{C}$)

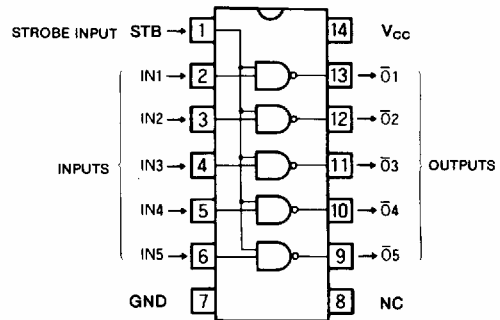
APPLICATION

Relay and printer driver, LED or incandescent display digit driver, Interfacing for standard MOS/BIPOLAR logics

FUNCTION

The M54529AP uses a predriver stage. Each input has a diode and $30k\Omega$ resistor in series to have a wide input voltage range from -25V to $+20\text{V}$. All input can be controlled simultaneously by a strobe input at pin 1. The power supply of the predrivers is connected to pin 14. All emitters and the substrate are connected together to pin 7. The outputs are capable of sinking 320mA and will withstand 20V in the OFF state.

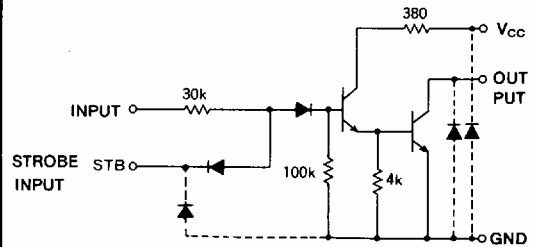
PIN CONFIGURATION (TOP VIEW)



Outline 14P4

NC : No connection

CIRCUIT SCHEMATIC



The diodes shown by broken line are parasite diodes and must not be used.

Unit : Ω

FUNCTIONAL TABLE

IN	STB	OUT
L	L	H
H	L	H
L	H	H
H	H	L

ABSOLUTE MAXIMUM RATINGS ($T_a = -20 \sim +75^\circ\text{C}$, unless otherwise noted)

Symbol	Parameter	Conditions	Ratings	Unit
V_{CC}	Supply voltage		$-0.5 \sim +10$	V
V_{CEO}	Output sustaining voltage	Transistor OFF	$-0.5 \sim +20$	V
I_C	Collector current per channel	Transistor ON	320	mA
V_I	Input voltage		$-20 \sim +20$	V
$V_{I(STB)}$	Strobe input voltage		$-0.5 \sim +20$	V
P_d	Power dissipation	$T_a = 25^\circ\text{C}$	1.47	W
T_{opr}	Operating temperature		$-20 \sim +75$	$^\circ\text{C}$
T_{stg}	Storage temperature		$-55 \sim +125$	$^\circ\text{C}$

5-UNIT 320mA TRANSISTOR ARRAY WITH STROBE

RECOMMENDED OPERATIONAL CONDITIONS (T_a = -20~+75°C, unless otherwise noted)

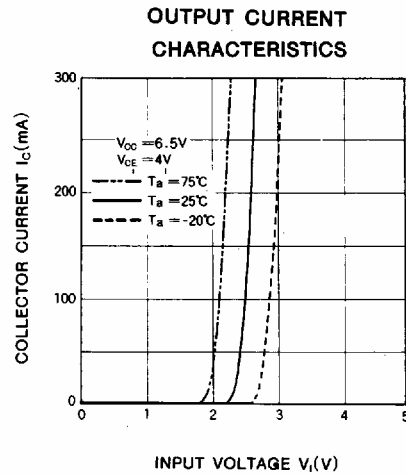
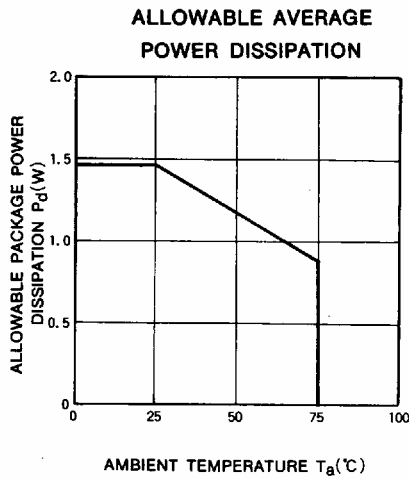
Symbol	Parameter		Limits			Unit
			Min	Typ	Max	
V _{CC}	Supply voltage		3	5	8	V
V _O	Output voltage		0		20	V
I _C	Collector current per channel	Percent duty cycle less than 33%, V _{CC} =6.5V	0		300	mA
		Percent duty cycle less than 80%, V _{CC} =6.5V	0		150	
V _{IH}	"H" Input voltage	I _C =150mA	3.5		15	V
		I _C =300mA	5		15	
V _{IL}	"L" Input voltage	I _{O(leak)} =50μA	0		1	V
V _{IH(STB)}	"H" Input voltage (strobe input)		2.4		15	V
V _{IL(STB)}	"L" Input voltage (strobe input)		0		0.2	V

ELECTRICAL CHARACTERISTICS (T_a = -20~+75°C, unless otherwise noted)

Symbol	Parameter	Test conditions	Limits			Unit
			Min	Typ*	Max	
V _{(BR)CEO}	Output sustaining voltage	V _{CC} =8V, V _I =8V, V _{I(STB)} =0.2V I _{CEO} =100μA	20			V
V _{CE(sat)}	Output saturation voltage	V _{I(STB)} =2.4V V _{CC} =6.5V, V _I =5V, I _C =250mA V _{CC} =3V, V _I =3.5V, I _C =150mA		0.35	0.85	V
I _I	Input current	V _{CC} =5V, V _I =3.5V, V _{I(STB)} =2.4V		20	120	μA
I _R	Input leakage current	V _{CC} =8V, V _I =-20V			-20	μA
I _{I(STB)}	Strobe input current	V _{CC} =5V, V _I =5V all input V _{I(STB)} =0.2V		-0.8	-1.5	mA
I _{R(STB)}	Strobe input leakage current	V _{CC} =8V, V _I =0V, V _{I(STB)} =20V			10	μA
I _{CC}	Supply current	V _{CC} =8V, V _I =5V all input V _{I(STB)} =2.4V		95	170	mA
h _{FE}	DC forward current gain	V _{CE} =4V, V _{CC} =6.5V, I _C =300mA, T _a =25°C V _{IH(STB)} =2.4V	1000	18000		-

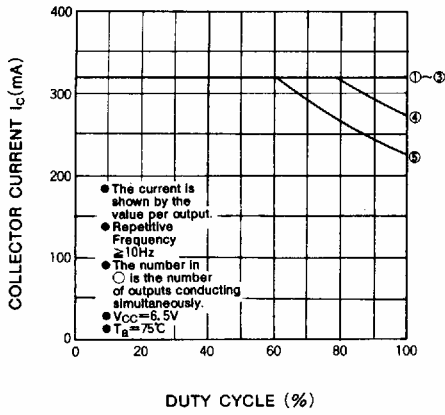
* : Typical values are at T_a = 25°C.

TYPICAL CHARACTERISTICS

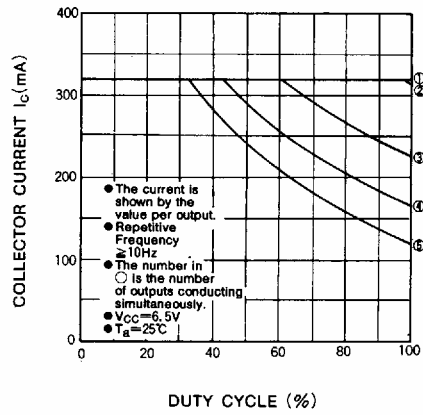


5-UNIT 320mA TRANSISTOR ARRAY WITH STROBE

ALLOWABLE COLLECTOR CURRENT AS A FUNCTION OF DUTY CYCLE



ALLOWABLE COLLECTOR CURRENT AS A FUNCTION OF DUTY CYCLE



DC CURRENT GAIN CHARACTERISTICS

