

# Customer Information Sheet

DRAWING No.: M80-301 TO M80-302

SHEET 2 OF 2

IF IN DOUBT - ASK

©

NOT TO SCALE

THIRD ANGLE PROJECTION

ALL DIMENSIONS IN mm

**SPECIFICATIONS:**

**MATERIALS:**

BODY = BRASS  
 INNER CONTACT = BERYLLIUM COPPER  
 INSULATOR = PTFE

**FINISH:**

BODY, INNER CONTACT = GOLD

**ELECTRICAL:**

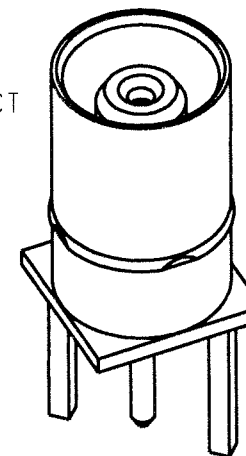
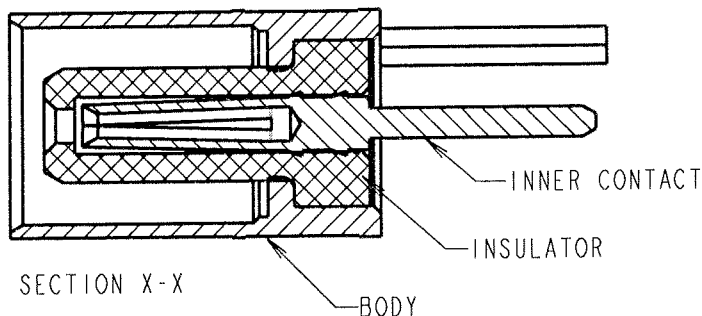
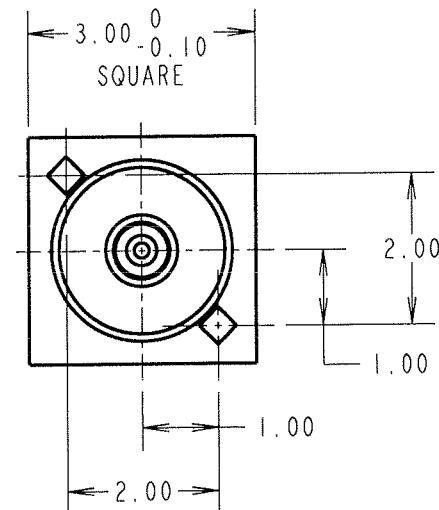
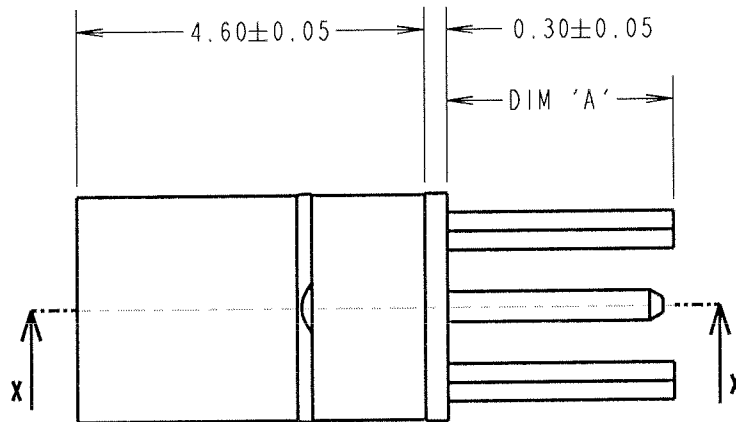
FREQUENCY RANGE = 6GHz  
 IMPEDANCE =  $50\Omega$   
 V.S.W.R. =  $1.05 + (0.04 \times \text{FREQUENCY}) \text{ GHz MAX}$   
 CONTACT RESISTANCE =  $6m\Omega \text{ MAX}$   
 INSULATION RESISTANCE =  $10^6 M\Omega @ 250V \text{ AC}$   
 OPERATING VOLTAGE = 180V AC @ 500mA  
 MAXIMUM VOLTAGE = 1,000V AC

**MECHANICAL:**

DURABILITY = 500 OPERATIONS  
 INSERTION FORCE = 5N MAX, 0.6N MIN  
 WITHDRAWAL FORCE = 2N MAX, 0.5N MIN  
 CONTACT REPLACEMENT IN INSULATOR = 5 TIMES

**ENVIRONMENTAL:**

TEMPERATURE RANGE =  $-55^\circ\text{C}$  TO  $+125^\circ\text{C}$



BMK	IA	20.11.06	9556
NAME	ISS.	DATE	C/NOTE
APPROVED: <i>[Signature]</i>			
CHECKED: <i>[Signature]</i>			
DRAWN:		B. M. KENT	
CUSTOMER REF.:			
ASSEMBLY DRG.:			

PART No.	DIM 'A'
M80-301	3.00
M80-302	4.50

**NOTES:**

- CONNECTORS COMES SUPPLIED ASSEMBLED.
- RECOMMENDED PCB HOLE SIZE =  $\varnothing 0.60\text{mm}$  MIN.
- FOR ALL OTHER ELECTRICAL/ MECHANICAL REQUIREMENTS, SEE COMPONENT SPECIFICATION C005XX (LATEST ISSUE).

**HARWIN**

HARWIN INC  
 U.S.A.  
 TEL: (812) 542 2540  
 FAX: (812) 542 2541

HARWIN PLC  
 U.K.  
 TEL: 023 9231 4545  
 FAX: 023 9231 4590

HARWIN PTE  
 SINGAPORE  
 TEL: 65 6779 4909  
 FAX: 65 6779 3868

THIS DRAWING AND ANY INFORMATION OR DESCRIPTIVE MATTER SET OUT HEREON ARE CONFIDENTIAL AND COPYRIGHT PROPERTY OF THE HARWIN GROUP AND MUST NOT BE DISCLOSED, LOANED, COPIED OR USED FOR MANUFACTURING, TENDERING OR FOR ANY OTHER PURPOSE WITHOUT THEIR WRITTEN PERMISSION.

**TOLERANCES**  
 X. =  $\pm 1\text{mm}$   
 X.X =  $\pm 0.25\text{mm}$   
 X.XX =  $\pm 0.10\text{mm}$   
 X.XXX =  $\pm 0.01\text{mm}$   
 ANGLES =  $\pm 5^\circ$   
 UNLESS STATED

**MATERIAL:**  
 SEE ABOVE  
**FINISH:** SEE ABOVE  
**S/AREA:** mm<sup>2</sup>

**TITLE:** DATAMATE MIX-TEK  
 COAX CONTACT  
 FEMALE VERTICAL PC-TAIL

**DRAWING NUMBER:**  
 M80-301 TO M80-302

SHT  
 2 OF 2