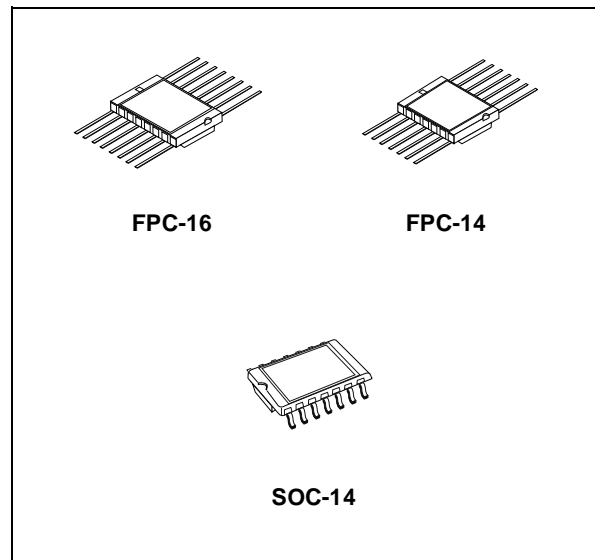




RHFL4913 ADJUSTABLE

RAD-HARD ADJUSTABLE POSITIVE VOLTAGE REGULATOR

- 1-3 AMPERE LOW DROPOUT VOLTAGE
- EMBEDDED OVERTEMPERATURE, OVERCURRENT PROTECTIONS
- ADJUSTABLE OVERCURRENT LIMITATION
- OUTPUT OVERLOAD MONITORING/SIGNALLING
- ADJUSTABLE OUTPUT VOLTAGE
- INHIBIT (ON/OFF) TTL COMPATIBLE CONTROL
- PROGRAMMABLE OUTPUT SHORT CIRCUIT CURRENT
- REMOTE SENSING OPERATION
- RADHARD: TESTED UP TO 300krad IN MIL 1019.5 AND LOW DOSE RATE CONDITIONS
- HEAVY IONS SEL, SEU IMMUNE. SUSTAINS 2×10^{14} proton/cm², AND 2×10^{14} neutron/cm²



DESCRIPTION

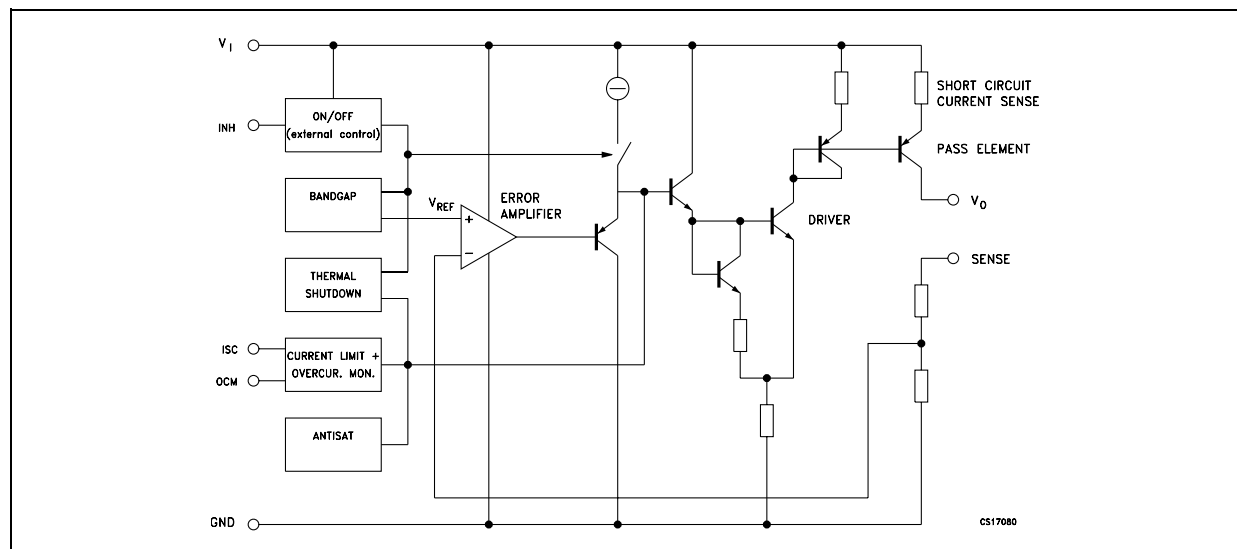
The RHFL4913 ADJUSTABLE is a high performance Rad Hard Adjustable Positive Voltage Regulator.

Available into various hermetic ceramic packages, it is specifically intended for Space and harsh

radiation environments. Input supply range is from 3 to 12 volts.

The RHFL4913 ADJUSTABLE is Qml-V Qualified, DSCC Smd is 596202524.

BLOCK DIAGRAM



RHFL4913 ADJUSTABLE VERSION

ABSOLUTE MAXIMUM RATINGS (Note 1)

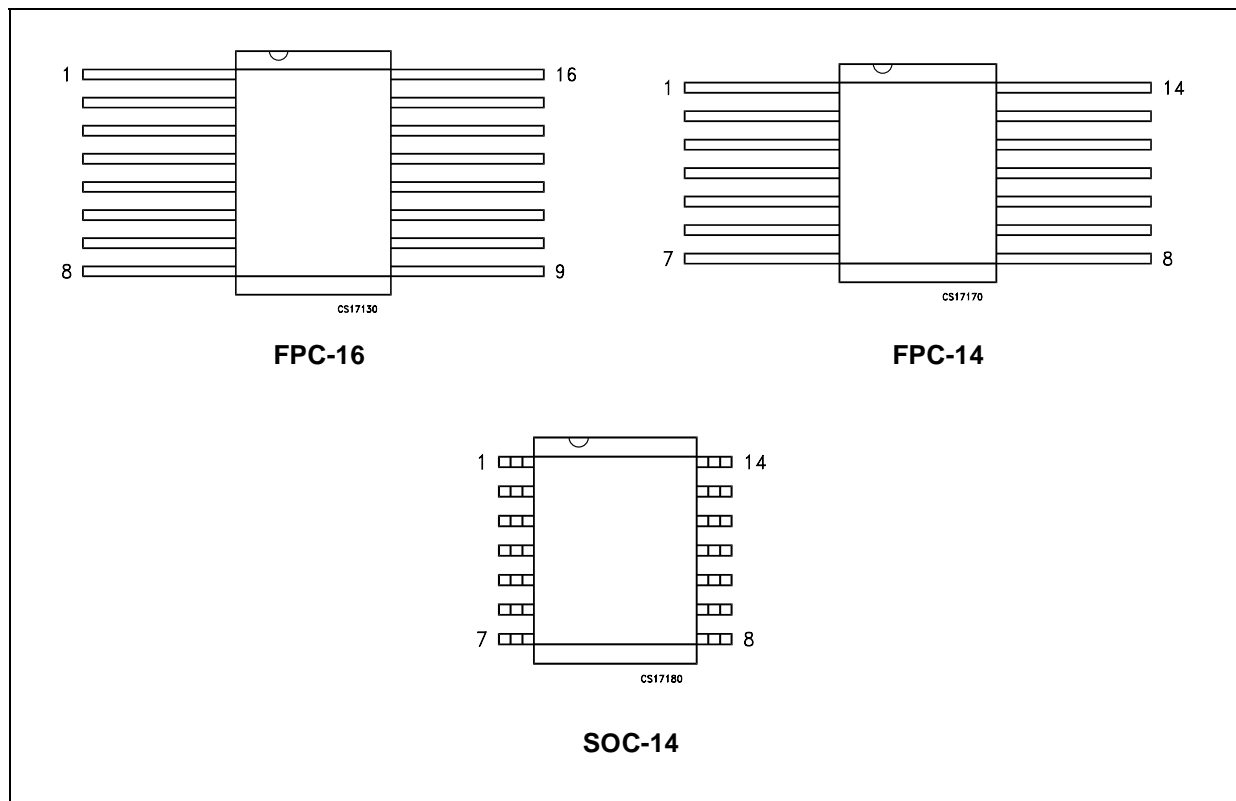
| Symbol | Parameter | Value | Unit |
|-----------|--|----------------------------|------------------|
| V_I | DC Input Voltage, $V_I - V_{GROUND}$ | 14 | V |
| V_O | DC Output Voltage Range | 1.3 to 9 | V |
| I_O | Output Current | RHFL4913KSOA, KA | 1 |
| | | RHFL4913KPA | 2 |
| P_D | $T_C = 25^\circ\text{C}$ Power Dissipation | KSOA, KA versions (14 Pin) | 3 |
| | | KPA, versions (16 Pin) | 15 |
| T_{stg} | Storage Temperature Range | -65 to +150 | $^\circ\text{C}$ |
| T_{op} | Operating Junction Temperature Range | -55 to +150 | $^\circ\text{C}$ |
| ESD | Electrostatic Discharge Capability | Class 3 | |

Note 1: Exceeding maximum ratings may damage the device.

THERMAL DATA

| Symbol | Parameter | FPC-14 | SOC-14 | FPC-16 | Unit |
|----------------|---------------------------------------|--------|--------|--------|---------------------------|
| $R_{thj-case}$ | Thermal Resistance Junction-case Max | 42 | 42 | 8.3 | $^\circ\text{C}/\text{W}$ |
| T_{sold} | Maximum soldering Temperature, 10sec. | 300 | | | $^\circ\text{C}$ |

CONNECTION DIAGRAM (Top view)



RHFL4913 ADJUSTABLE VERSION

PIN DESCRIPTION

| PIN N° | FPC-16 | FPC-14 | SOC-14 |
|-----------------|---------------|-----------------|-----------------|
| V _O | 1, 2, 6, 7 | 2, 6 | 2, 6 |
| V _I | 3, 4, 5 | 3, 5 | 3, 5 |
| GND | 13 | 12 | 12 |
| I _{sc} | 8 | 7 | 7 |
| OCM | 10 | 8 | 8 |
| INHIBIT | 14 | 13 | 13 |
| ADJ | 15 | 14 | 14 |
| NC | 9, 11, 12, 16 | 1, 4, 9, 10, 11 | 1, 4, 9, 10, 11 |

ORDERING CODES

| FPC-14 | FPC-16 | SOC-14 | SOLDER DIPPING | OUTPUT VOLTAGE |
|----------------|-----------------|-----------------|----------------|----------------|
| RHFL4913KA-05V | RHFL4913KPA-01V | RHFL4913SOA-03V | GOLD | ADJ |
| RHFL4913KA-06V | RHFL4913KPA-02V | RHFL4913SOA-04V | SOLDER | ADJ |

PART NUMBER - SMD EQUIVALENCE

| ST PART NUMBER | SMD PART NUMBER |
|-----------------|-----------------|
| RHFL4913KPA-01V | 5962F0252401VXC |
| RHFL4913KPA-02V | 5962F0252401VXA |
| RHFL4913SOA-03V | 5962F0252402VYC |
| RHFL4913SOA-04V | 5962F0252402VYA |
| RHFL4913KA-05V | 5962F0252402VZC |
| RHFL4913KA-06V | 5962F0252402VZA |

ENVIRONMENTAL CHARACTERISTICS

| Parameter | Conditions | Typical | Unit |
|--------------------------------|--|---------|----------|
| Output Voltage thermal drift | -55°C to 125°C | 40 | ppm/°C |
| Output Voltage radiation drift | from 0 krad to 300 krad at 0.55rad/sec | 8 | ppm/krad |
| Output Voltage radiation drift | from 0 krad to 300 krad, Mil 1019.5 | 6 | ppm/krad |

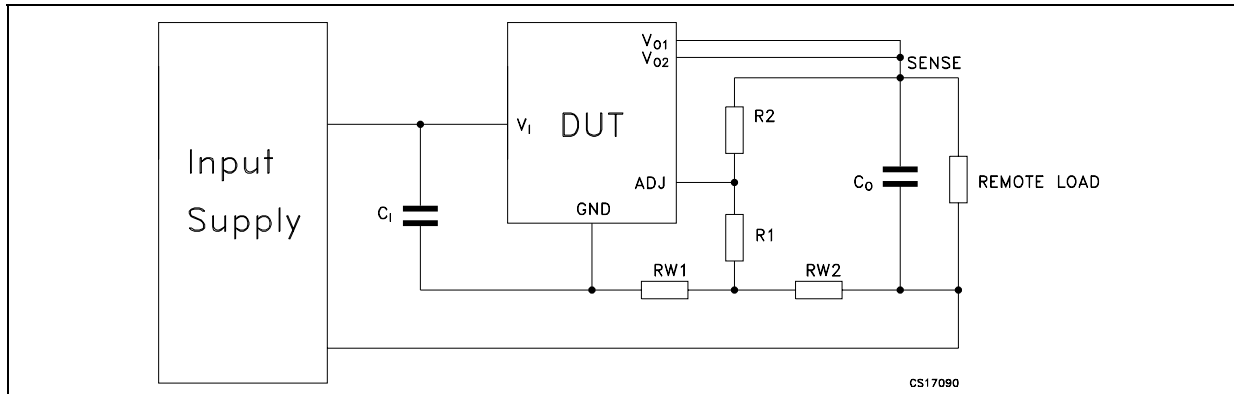
RHFL4913 ADJUSTABLE VERSION

ELECTRICAL CHARACTERISTICS ($T_J = 25^\circ\text{C}$, $V_I = V_O + 2.5\text{V}$, $C_I = C_O = 1\mu\text{F}$, unless otherwise specified)

| Symbol | Parameter | Test Conditions | Min. | Typ. | Max. | Unit |
|---------------------------|---------------------------|---|--------------------|------|------|------------------|
| V_I | Operating Input Voltage | $I_O = 1\text{A}$ $T_J = -55$ to 125°C | 3 | | 12 | V |
| V_{ADJ} | Adjust Pin Voltage | V_I, V_O, I_O, P_D within Max Rating limits | 1.19 | | 1.27 | % |
| I_{SHORT} | Output Current Limit (*) | Adjustable by mask/external resistor | | 4.5 | | A |
| $\Delta V_O / \Delta V_I$ | Line Regulation | $V_I = V_O + 2.5\text{V}$ to 12V , $I_O = 5\text{mA}$ | | | 0.35 | % |
| $\Delta V_O / \Delta V_O$ | Load Regulation | $V_I = V_O + 2.5\text{V}$, $I_O = 5\text{mA}$ to 400mA | | | 0.3 | % |
| | | $V_I = V_O + 2.5\text{V}$, $I_O = 5\text{mA}$ to 1A | | | 0.5 | |
| Z_{OUT} | Output Impedance | $I_O = 100\text{mA}$ DC and 20mA rms | | 100 | | m Ω |
| I_q | Quiescent Current | $V_I = V_O + 2.5\text{V}$, $I_O = 5\text{mA}$ On Mode | | | 6 | mA |
| | | $V_I = V_O + 2.5\text{V}$, $I_O = 30\text{mA}$ On Mode | | | 8 | |
| | | $V_I = V_O + 2.5\text{V}$, $I_O = 300\text{mA}$ On Mode | | | 25 | |
| | | $V_I = V_O + 2.5\text{V}$, $I_O = 1\text{A}$ On Mode | | | 60 | |
| | | $V_I = V_O + 2\text{V}$, $V_{\text{INH}} = 2.4\text{V}$ Off Mode | | | 1 | |
| I_q | Quiescent Current | $V_I = V_O + 2.5\text{V}$, $I_O = 5\text{mA}$, $T_J = -55$ to 125°C | | | 6 | mA |
| | | $V_I = V_O + 2.5\text{V}$, $I_O = 30\text{mA}$, $T_J = -55$ to 125°C | | | 14 | |
| | | $V_I = V_O + 2.5\text{V}$, $I_O = 300\text{mA}$, $T_J = -55$ to 125°C | | | 40 | |
| | | $V_I = V_O + 2.5\text{V}$, $I_O = 1\text{A}$, $T_J = -55$ to 125°C | | | 100 | |
| V_d | Dropout Voltage | $I_O = 400\text{mA}$ $V_O = 2.5$ to 9V , (-55°C) | | 300 | 400 | V |
| | | $I_O = 400\text{mA}$ $V_O = 2.5$ to 9V , (25°C) | | 350 | 450 | |
| | | $I_O = 1\text{A}$ $V_O = 2.5$ to 9V , (25°C) | | | 650 | |
| | | $I_O = 2\text{A}$ $V_O = 2.5$ to 9V , (25°C) | | 900 | | |
| | | $I_O = 400\text{mA}$ $V_O = 2.5$ to 9V , (125°C) | | 450 | 550 | |
| | | $I_O = 1\text{A}$ $V_O = 2.5$ to 9V , (125°C) | | | 800 | |
| | | $I_O = 2\text{A}$ $V_O = 2.5$ to 9V , (125°C) | | 950 | | |
| $V_{\text{INH(ON)}}$ | Inhibit Voltage | $I_O = 5\text{mA}$, $T_J = -55$ to 125°C | | | 0.8 | V |
| $V_{\text{INH(OFF)}}$ | Inhibit Voltage | $I_O = 5\text{mA}$, $T_J = -55$ to 125°C | 2.4 | | | V |
| SVR | Supply Voltage Rejection | $V_I = V_O + 2.5\text{V} \pm 0.5\text{V}$, $I_O = 5\text{mA}$ | $f = 120\text{Hz}$ | 60 | 70 | dB |
| | | | $f = 33\text{KHz}$ | 30 | 40 | |
| I_{SH} | Shutdown Input Current | $V_{\text{INH}} = 5\text{V}$ | | 15 | | μA |
| V_{OCM} | OCM Pin Voltage | Sinked $I_{\text{OCM}} = 10\text{mA}$ active low | | 0.38 | | V |
| t_{PLH} | Inhibit Propagation Delay | $V_I = V_O + 2.5\text{V}$, $V_{\text{INH}} = 2.4\text{V}$, $I_O = 400\text{mA}$ | ON-OFF | | 20 | μS |
| t_{PHL} | | | OFF-ON | | 100 | μS |
| eN | Output Noise Voltage | $B = 10\text{Hz}$ to 100KHz $I_O = 5\text{mA}$ to 2A | | 40 | | μVrms |

(*) This value is guaranteed by design. For each application it's strongly recommended to comply with the maximum current limit of the package used.

APPLICATION DIAGRAM FOR REMOTE SENSING OPERATION



DEVICE DESCRIPTION

The RHFL4913 Adjustable contains a PNP type power element controlled by a signal resulting from amplified comparison between the internal temperature compensated Band-Gap and the fraction of the desired Output Voltage value obtained from an external resistor divider bridge. The device is protected by several functional blocks.

ADJ pin

The Load output voltage feed-back comes from an external divider resistor bridge middle point connected to ADJ pin (allowing all possible output voltage settings as per User's desire) established between Load terminals.

INHIBIT ON-OFF Control

By setting INHIBIT pin TTL-High, the Device switches off the Output Current and Voltage. Device is ON when INHIBIT pin is set Low. Since INHIBIT pin is internally pulled down, it can be left floating in case Inhibit function is not utilized.

Overtemperature protection

A temperature detector internally monitors the power element junction temperature. The Device goes OFF when approx. 175°C are reached, returning to ON mode when back to approx. 40°C. Combined with other protection blocks, it protects the Device from destructive junction temperature excursions in all load conditions. It is worth noting that when internal temperature detector reaches 175°C, the active power element can be at 225°C: Extensive operation under these conditions far exceeds Maximum Operation Ratings and Device reliability cannot be granted.

Overcurrent protection

An internal non-fold back Short-Circuit limitation is set with $I_{SHORT} > 3.8A$ (V_O is 0V). This value can be downwards modified by an external resistor connected between I_{SC} pin and V_I pin, with a typical value range of 10kΩ to 200kΩ. To keep excellent V_O regulation, it is necessary to set I_{SHORT} 1.6 times greater than the maximum desired application I_O . When I_O reaches $I_{SHORT} - 300mA$, the current limiter overrules Regulation and V_O starts to drop and OCM flag is risen. When no current limit adjustment is required, I_{SC} pin must be left unbiased (as it is in 3pin packages).

OCM pin

Goes Low when current limit starts to be active, otherwise $V_{OCM} = V_I$. It is buffered and can sink 10mA. OCM pin is internally pulled-up by a 5 kΩ resistor.

Alternates to: RHFL4913 is recommended to replace all Industry Positive Regulators due to its exceptional Radiation performance. To replace 3-terminal Industry devices, use RHFL4913 Fixed Voltage versions.

RHFL4913 ADJUSTABLE VERSION

APPLICATION INFORMATION

Adjusting Output Voltage: R2 resistor must be connected between V_O and ADJ. R1 resistor must be connected between ADJ and Ground. Resistor values can be derived from the following formula:

$$V_O = V_{ADJ} \times (R1 + R2) / R1$$

V_{ADJ} is 1.22V, controlled by the internal temperature compensated Band Gap block.

The minimum Output voltage is therefore 1.22V and minimum Input voltage is 3V.

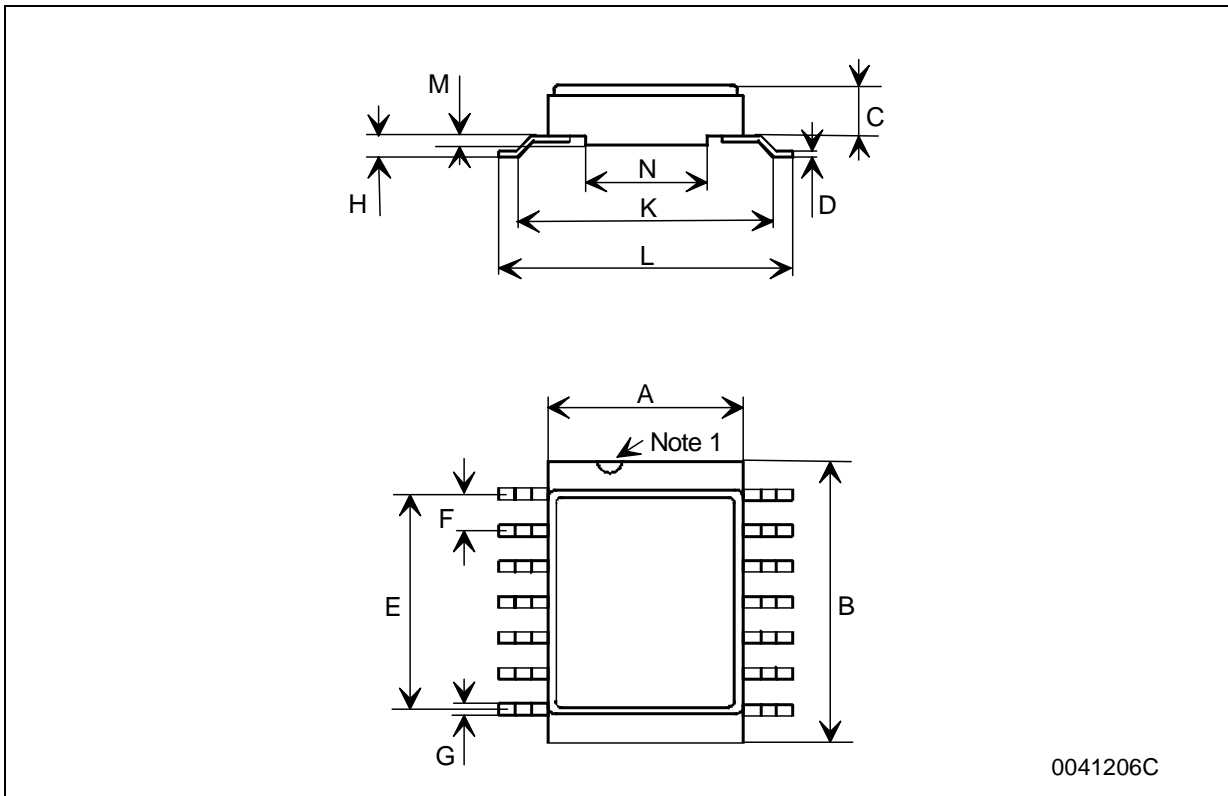
The RHFL4913 Adjustable is functional as soon as $V_I - V_O$ voltage difference is slightly above the power element saturation voltage. The Adjust pin to Ground resistor must not be bigger than 10k Ω to keep the output feed-back error below 0.2%. A minimum 0.5mA I_O must be set to ensure perfect "no-load" regulation. It is advisable to dissipate this current into the divider bridge resistor. All available V_I pins shall always be externally interconnected, same thing for all available V_O pins, otherwise Device stability and reliability cannot be granted. The INHIBIT function switches off the output current in an electronic way, that is very quickly. According to Lenz's Law, external circuitry reacts with Ldi/dt terms which can be of high amplitude in case somewhere an inductance exists. Large transient voltage would develop on both Device terminals. It is advisable to protect the Device with Schottky diodes preventing negative voltage excursions. In the worst case, a 14V Zener diode shall protect the Device Input. The Device has been designed for high stability and low drop out operation: Minimum 1 μ F input and output tantalum capacitors are therefore mandatory. Capacitor ESR range is from 0.5 Ω to over 20 Ω . Such range turns out to be useful when ESR increases at low temperature. When large transient currents are expected, larger value capacitors are necessary.

In case of high current operation with expected short-circuit events, caution must be considered relatively to capacitors. They must be connected as close as possible to device terminals. As some tantalum capacitors may permanently fail when submitted to high charge-up surge currents, it is recommended to decouple them with 470nF polyester capacitors.

Being RHFL4913 Adjust manufactured with very high speed bipolar technology (6GHz f_T transistors), the PCB layout must be performed with exceptional care, very low inductance, low mutually coupling lines, otherwise high frequency parasitic signals may be picked-up by the Device resulting into system self-oscillation. The benefit is an SVR performance extended to far higher frequencies.

SOC-14 MECHANICAL DATA

| DIM. | mm. | | | inch | | |
|------|-------|-------|-------|-------|-------|-------|
| | MIN. | TYP | MAX. | MIN. | TYP. | MAX. |
| A | | 6.90 | | | 0.272 | |
| B | | 9.95 | | | 0.392 | |
| C | 1.49 | | 1.95 | 0.059 | | 0.077 |
| D | 0.102 | 0.127 | 0.152 | 0.004 | 0.005 | 0.006 |
| E | 7.5 | | 7.75 | 0.295 | | 0.305 |
| F | | 1.27 | | | 0.050 | |
| G | | 0.43 | | | 0.017 | |
| H | 0.60 | | 0.90 | 0.024 | | 0.035 |
| K | | 9 | | | 0.354 | |
| L | 10.00 | | 10.65 | 0.394 | | 0.419 |
| M | | 0.38 | | | 0.015 | |
| N | | 4.31 | | | 0.170 | |

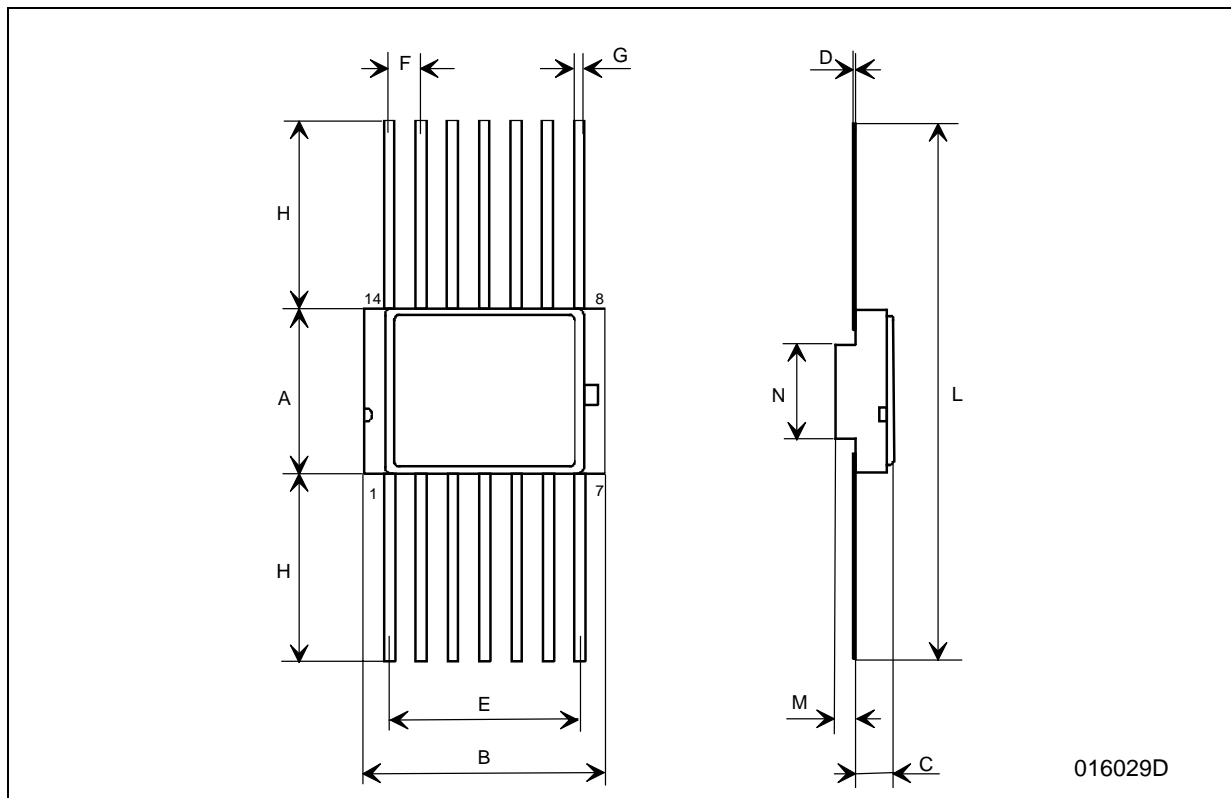


0041206C

RHFL4913 ADJUSTABLE VERSION

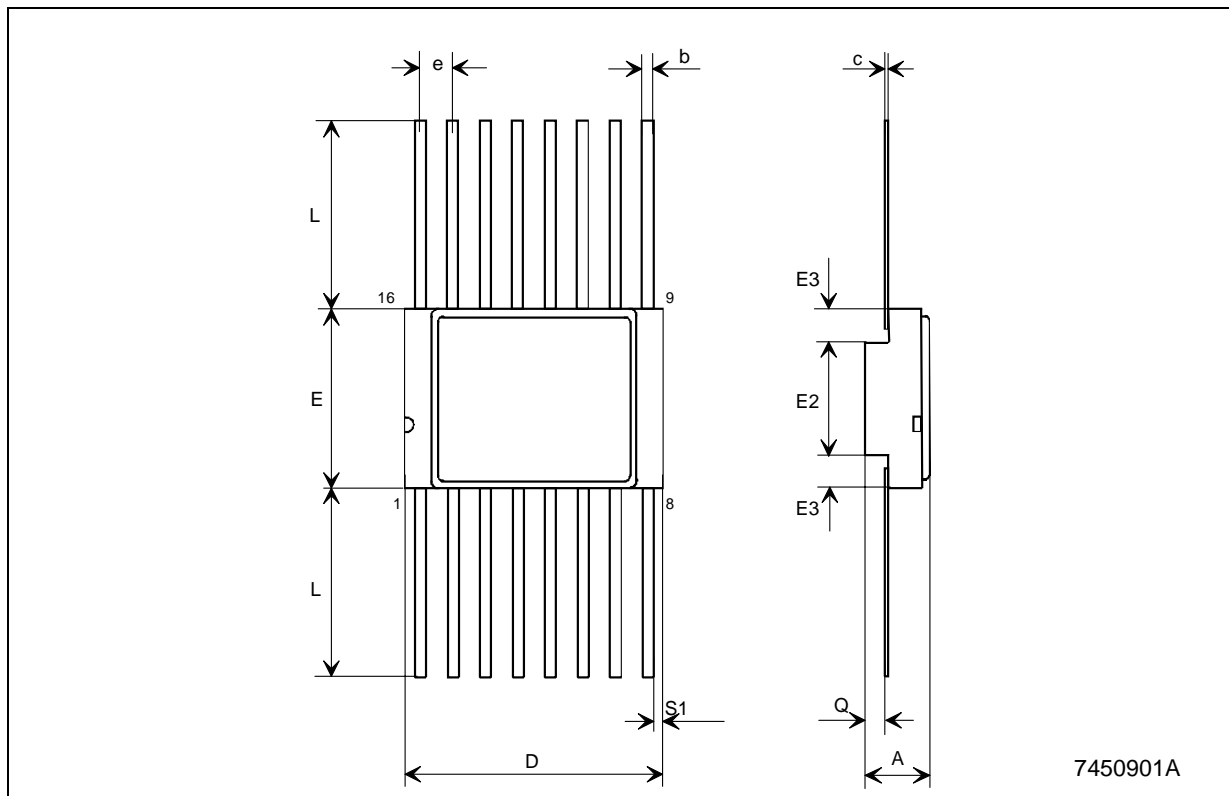
FPC-14 MECHANICAL DATA

| DIM. | mm. | | | inch | | |
|------|-------|-------|------|-------|-------|-------|
| | MIN. | TYP | MAX. | MIN. | TYP. | MAX. |
| A | | 6.9 | | | 0.272 | |
| B | | 9.95 | | | 0.392 | |
| C | 1.49 | | 1.95 | 0.059 | | 0.077 |
| D | | 0.127 | | | 0.005 | |
| E | | 7.62 | | | 0.300 | |
| F | | 1.27 | | | 0.050 | |
| G | | 0.43 | | | 0.017 | |
| H | | 6.0 | | | 0.236 | |
| L | 18.75 | | 22.0 | 0.738 | | 0.866 |
| M | | 0.38 | | | 0.015 | |
| N | | 4.31 | | | 0.170 | |



ALN FPC-16 (MIL-STD-1835) MECHANICAL DATA

| DIM. | mm. | | | inch | | |
|------|------|------|------|-------|-------|-------|
| | MIN. | TYP | MAX. | MIN. | TYP. | MAX. |
| A | 2.16 | | 2.72 | 0.085 | | 0.107 |
| b | | 0.43 | | | 0.017 | |
| c | | 0.13 | | | 0.005 | |
| D | | 9.91 | | | 0.390 | |
| E | | 6.91 | | | 0.272 | |
| E2 | | 4.32 | | | 0.170 | |
| E3 | 0.76 | | | 0.030 | | |
| e | | 1.27 | | | 0.050 | |
| L | | 6.72 | | | 0.265 | |
| Q | 0.66 | | 1.14 | 0.026 | | 0.045 |
| S1 | 0.13 | | | 0.005 | | |



Information furnished is believed to be accurate and reliable. However, STMicroelectronics assumes no responsibility for the consequences of use of such information nor for any infringement of patents or other rights of third parties which may result from its use. No license is granted by implication or otherwise under any patent or patent rights of STMicroelectronics. Specifications mentioned in this publication are subject to change without notice. This publication supersedes and replaces all information previously supplied. STMicroelectronics products are not authorized for use as critical components in life support devices or systems without express written approval of STMicroelectronics.

The ST logo is a registered trademark of STMicroelectronics
All other names are the property of their respective owners

© 2004 STMicroelectronics - All Rights Reserved
STMicroelectronics GROUP OF COMPANIES

Australia - Belgium - Brazil - Canada - China - Czech Republic - Finland - France - Germany - Hong Kong - India - Israel - Italy - Japan -
Malaysia - Malta - Morocco - Singapore - Spain - Sweden - Switzerland - United Kingdom - United States.

<http://www.st.com>