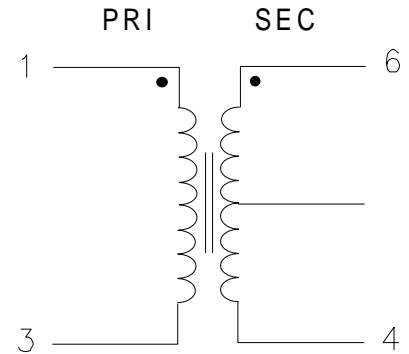


# Line Matching Transformer

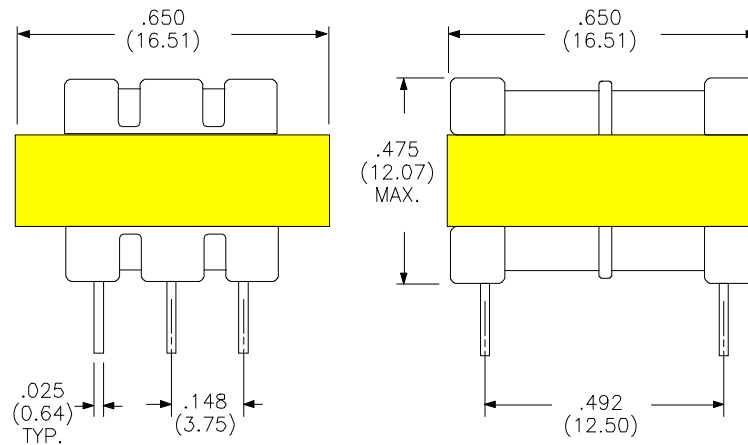
## 600 Ohm to 600 Ohm

Electrical Specifications @ 25°C	Min.	Max.	Units
Frequency Response Ref. 1 kHz = 0 dB 300Hz - 20kHz	-1.0	+1.0	dB
Return Loss			
300 Hz	21		dB
1 kHz	20		dB
4 kHz	22		dB
Longitudinal Balance			
1 kHz	80		dB
5 kHz	80		dB
DC Resistance, Sum of Windings		40	Ω
Insertion Loss @ 2 kHz		1.0	dB
Distortion @ 450 Hz Source & Load 600 Ohms Level @ Load -9dBm Third Harmonic Level		1.5	dB
		-86	
Breakdown Voltage, @ 60 Hz	3000		VAC
Insulation Resistance, 500 VDC	100		MΩ

Schematic Diagram



Physical Dimensions in inches (mm)



RHOMBUS P/N: **T-795**

CUST P/N:

NAME:

DATE: **1/14/97**

SHEET: 1 of 1