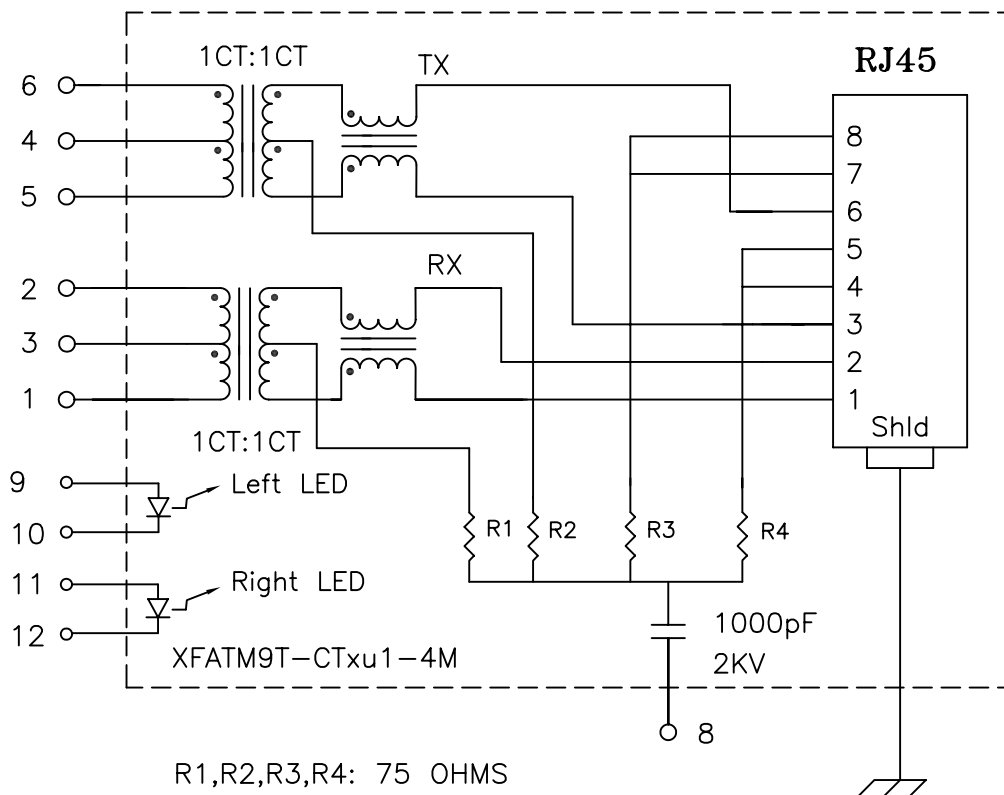


Schematic:



Electrical Specifications: @25°C

Isolation Voltage: 1500 Vrms (Input to Output)
 Isolation Voltage: 500 Vrms (P1+2+3 to P4+5+6)
 Turns Ratio: TX 1CT:1CT $\pm 3\%$ RX 1CT:1CT $\pm 3\%$
 CABLE SIDE OCL: 350uH Minimum @100KHz 100mV 8mADC
 Cw/w: 27pF Typical @100KHz 100mV
 Insertion Loss (300KHz-100MHz): -1.0dB Minimum
 Return Loss: @30MHz -18dB Minimum
 @80MHz -12dB Minimum

Notes:

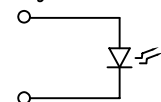
1. Solderability: Leads shall meet MIL-STD-202, Method 208D for solderability.
2. Flammability: UL94V-0
3. ASTM oxygen index: > 28%
4. Insulation System: Class F 155°C. UL file E151556
5. Operating Temperature Range: All listed parameters are to be within tolerance from -40°C to +85°C
6. Storage Temperature Range: -55°C to +125°C
7. Aqueous wash compatible

Complete the Combo P/N as follows:

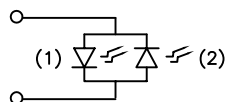
Replace 'x' & 'u' in the part number with one of the LED color letters:

Y=Yellow 'x' = Left LED Color
 G=Green 'u' = Right LED Color
 A=Amber
 R=Red
 N=Yellow(1)/Green(2) Bicolor
 M=Green(1)/Yellow(2) Bicolor

Single Color LED:



Bi-Color LED:



XFMRs Inc.

Title: SINGLE PORT COMBO

UNLESS OTHERWISE SPECIFIED

P/N: XFATM9T-CTxu1-4M

REV. A

TOLERANCES:

.xxx ± 0.010

Dimensions in Inch

DWN.

罗振江

Jun-17-03

CHK.

廖玉坤

Jun-17-03

SHEET 1 OF 2

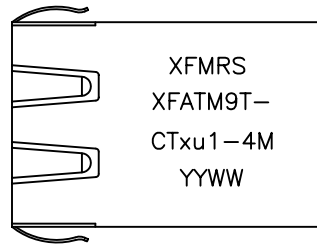
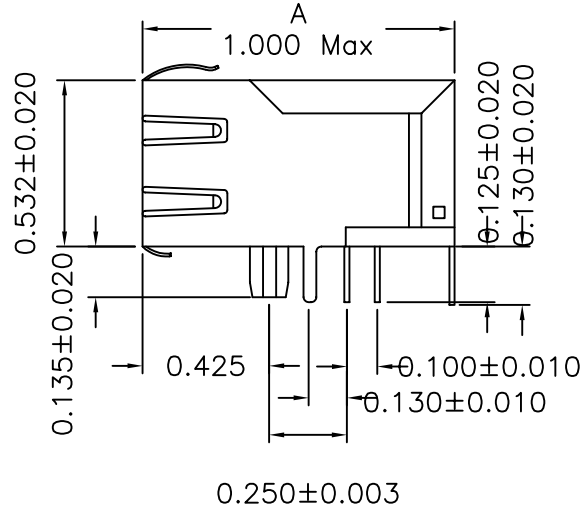
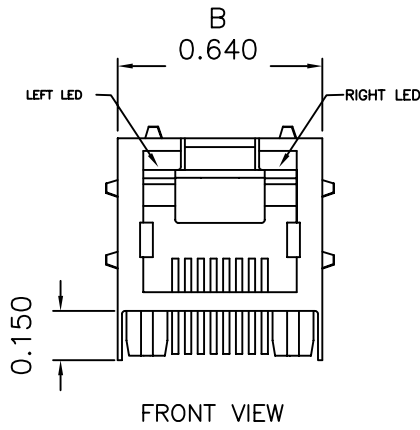
APP.

Isaiah M

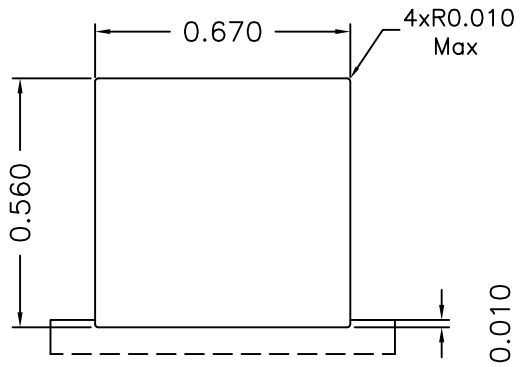
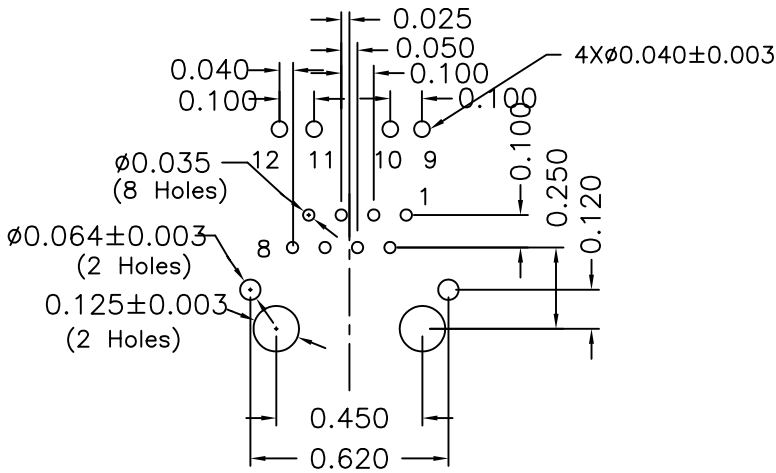
Jun-17-03

DOC. REV: A/3

Mechanical Dimensions:



Mounting Pattern:



DOC. REV A/3

XFMRS Inc.	Title: Mechanical Dimensions For TAB UB RJ45 COMBO		
	UNLESS OTHERWISE SPECIFIED TOLERANCES: .xxx ±0.010 Dimensions in Inch	P/N: XFATM9T-CTxu1-4M	REV. A
	DWN.	李小锋	Jun-17-03
	CHK.	廖玉坤	Jun-17-03
SHEET 2 OF 2	APP.	Isaiah M	Jun-17-03