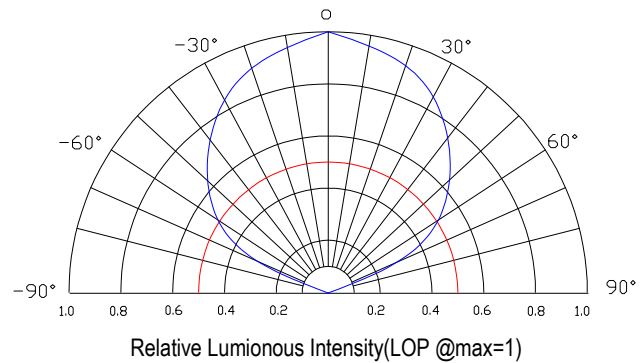


FYLP-5W-UWL

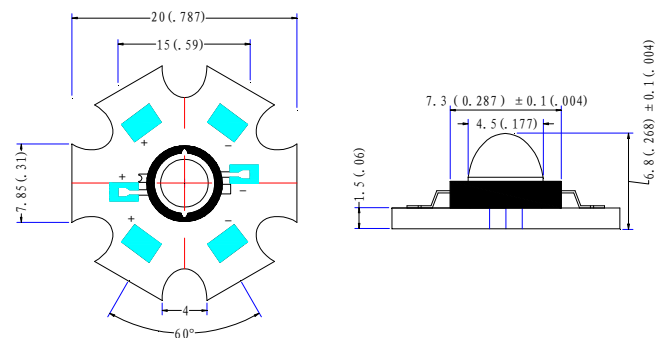
Features:

- Long operating life
- Highest flux
- Available in White
- Lambertian radiation pattern
- More energy efficient than incandescent and most halogen lamps
- Low voltage DC operated
- Cool beam, safe to the touch
- Instant light (less than 100ns)
- Fully dimmable
- No UV
- Superior ESD protection
- Eutectic die bond, lower Rth.
- ROHS compliant –Lead-free
- Instant light (less than 100ns)

Radiation Pattern



Package Dimensions



Applications

- Reading lights (car,bus,aircraft)
- Portable(flashlight,bicycle)
- orientation
- Mini-accent
- Decorative
- Fiber optic alternative
- Appliance
- Sign and channel letter
- Architectural detail
- Cove lighting
- Automotive exterior (stop-Tail-turn,CHMSL,Mirror side repeat)
- Edge-lit signs(Exit,point of sale)

■ Typical Optical/Electrical Characteristics@T_J=25°C

Item	symbol	Condition	Min	Typ	Max	Unit
Forward Voltage	VF	IF=1.2A	3.2	3.4	4.0	V
Reverse Current	IR	VR=5V			50	uA
50% Power Angle	2θ _{1/2}	IF=1.2mA	110	120	140	deg
Luminous Intensity	Φ _v	IF=1.2mA	160	180		LM
Recommend Forward Current	IF			800		mA
Chromaticity coordinates	X	IF=1.2A		0.30		
	Y			0.30		
Thermal Resistance, Junction to Case	R _{jp}	IF=1.2A		18		°C/W

- Notes: 1. Tolerance of measurement of forward voltage $\pm 0.1V$;
 2. Tolerance of measurement of peak Wavelength $\pm 2.0nm$;
 3. Tolerance of measurement of luminous intensity $\pm 15\%$;

■ Absolute Maximum Rating

Item	symbol	Absolute Maximum Rating	Unit
Forward Current	IF	1.2	mA
Peak Forward Current*	IFD	1.3	mA
Reverse Voltage	VR	5	V
Power Dissipation	PD	5	mW
Electrostatic discharge	ESD	± 4500	V
Operation Temperature	T _{OPR}	-30°C to +80°C	
Storage Temperature	T _{STG}	-40°C to +100°C	
Lead Soldering Temperature*	T _{SOL}	260°C for 3 Seconds Max	

- IFP Conditions :Pulse Width ≤ 10 msec duty $\leq 1/10$
- All high Power emitter LED products mounted on aluminum metal-core printed circuit board, can be lighted directly ,but we do not recommend lighting the high power products for more than 5 seconds without a directly,but we do not recommend lighting the high powe products for more than 5 seconds without a appropriate heat dissipation equipment.
- Re-flow, wave peak and soak-stannum soldering etc. is not suitable for this products.
- Suggest to solder it by professional high power LED soldering machine.
- Can use invariable -temperature searing-iron with soldering condition: ≤ 260 degree less than 3 seconds.

■ Typical optical/Electrical Characteristics Curves ($T_j=25^\circ\text{C}$ Unless Otherwise Noted)

