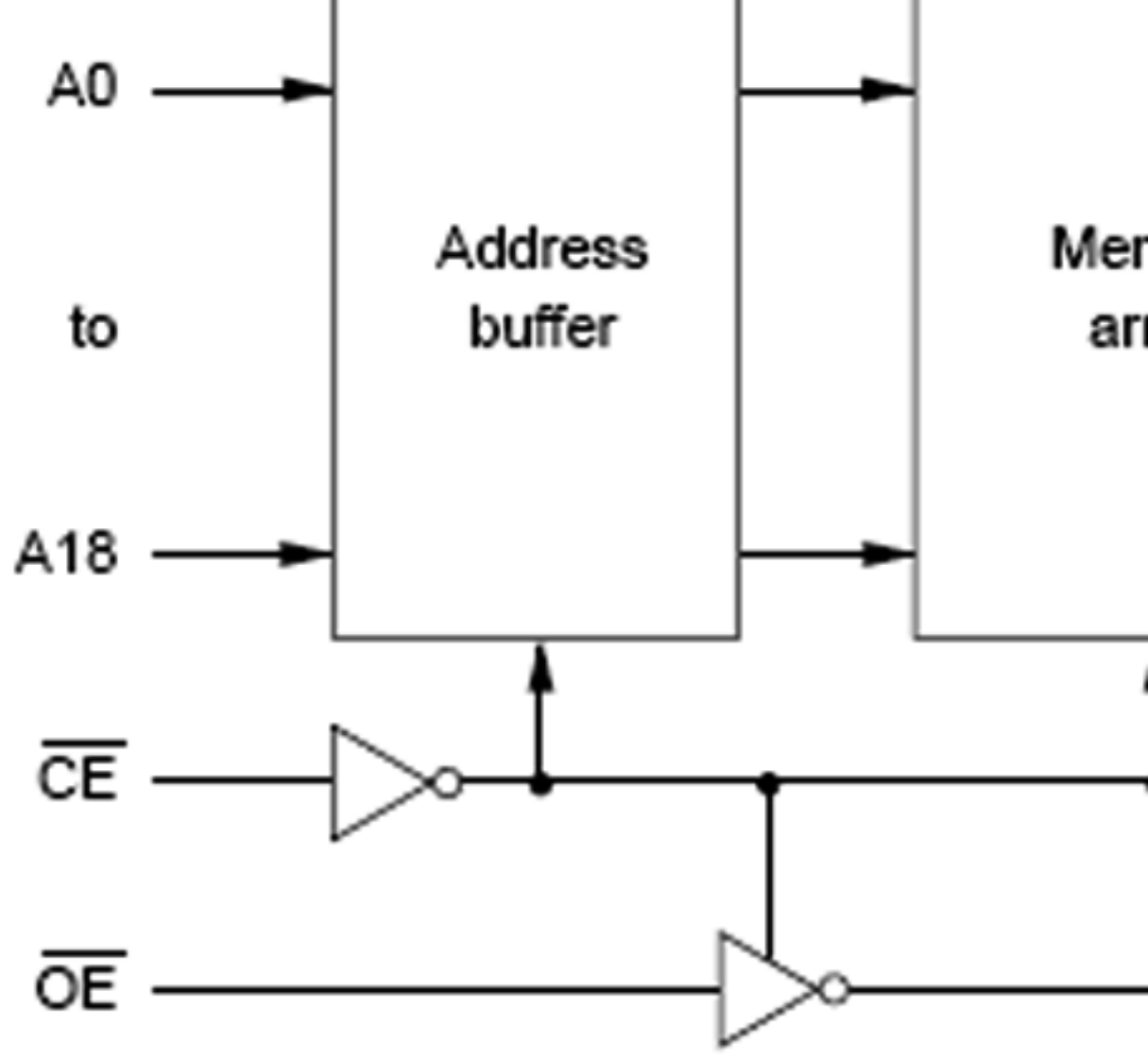


- Byte-wide data organization
- Pin compatible with JEDEC (EP-ROM)

Ordering Information

Type No.	Access Time
HN62334BP-15	150 ns
HN62334BF-15	150 ns
HN62334BTT-15	150 ns



	Active	V_{CC}	
	Standby	I_{SB}	-
Input leakage current		$ I_{IL} $	-
Output leakage current		$ I_{OL} $	-
Output voltage		V_{OH}	2
		V_{OL}	-

Capacitance ($V_{CC} = 5\text{ V} \pm 10\%$, $V_{SS} = 0\text{ V}$, $T = 25^\circ\text{C}$)

Parameter	Symbol
Input capacitance	C_{in}
Output capacitance	C_{out}

Note: This parameter is sampled and not 100% tested

not referred to output voltage levels.

